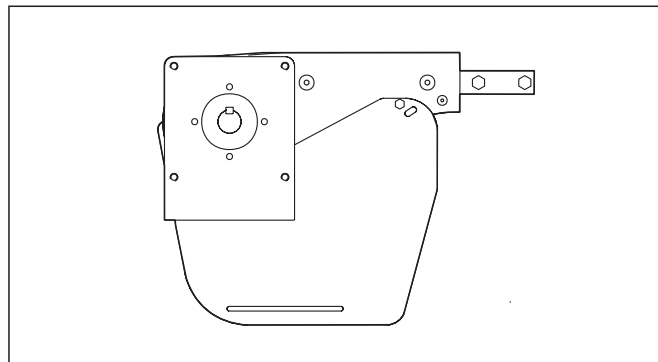




End drive unit for stainless steel conveyor – XL

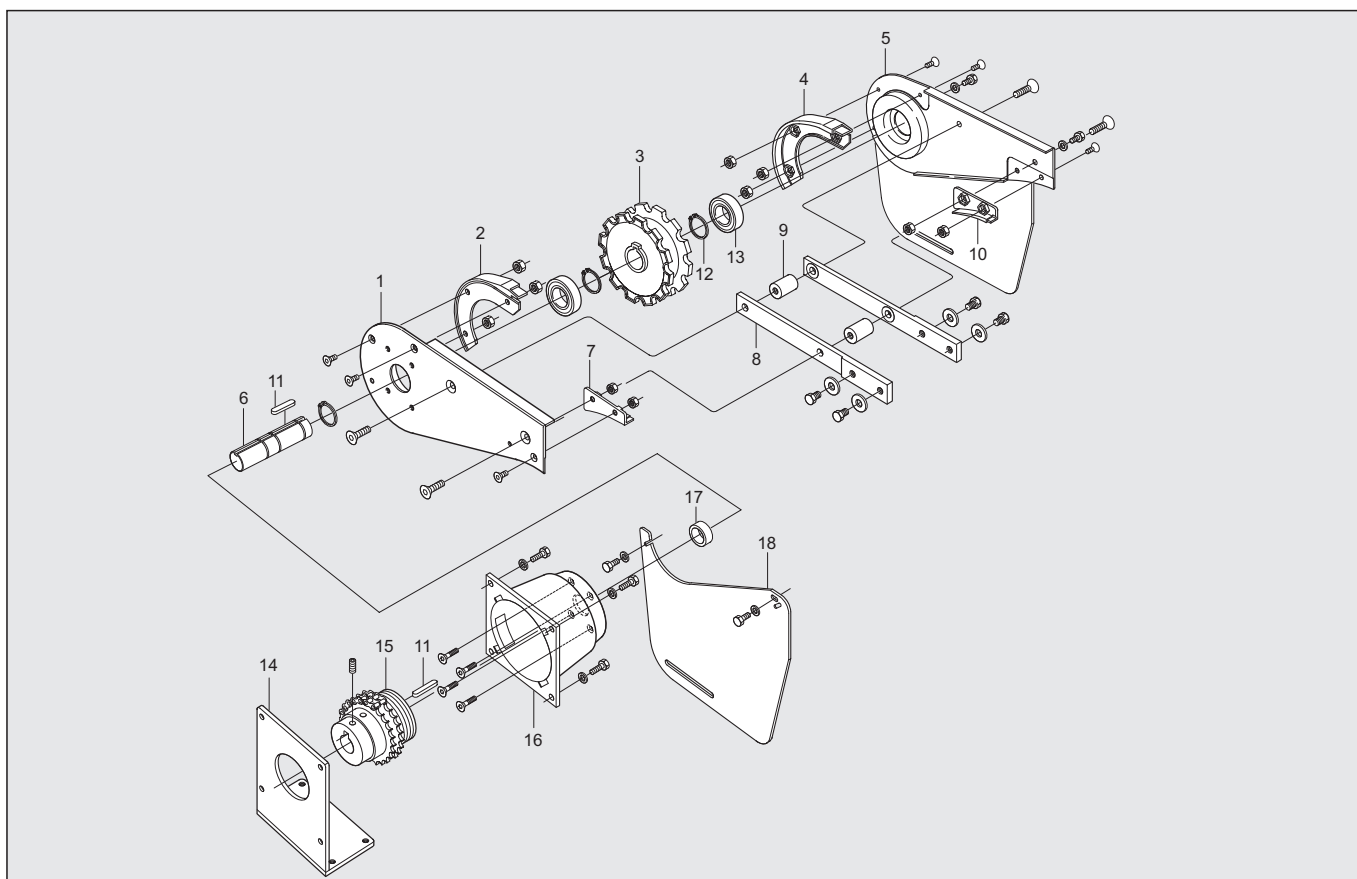
Contents

| | |
|--|---|
| <i>End drive unit for stainless steel conveyor</i> _____ | 2 |
| <i>0-unit – XLEBX 0 HLP/HRP</i> _____ | 2 |
| <i>Revision list</i> _____ | 3 |



End drive unit for stainless steel conveyor

0-unit – XLEBX 0 HLP/HRP



| Item | Description | Part No | Qty | Comments |
|------|----------------------------|-----------------|-----|----------|
| 1 | Side plate L (XLEBX 0 HLP) | 5048959 | 1 | |
| | Side plate L (XLEBX 0 HRP) | 5048961 | 1 | |
| 2 | Steering guide L | 3924685 | 1 | ☆ |
| 3 | Drive wheel | 3924684 | 1 | ☆ |
| 4 | Steering guide R | 3924686 | 1 | ☆ |
| 5 | Side plate R (XLEBX 0 HLP) | 5048960 | 1 | |
| | Side plate R (XLEBX 0 HRP) | 5048962 | 1 | |
| 6 | Shaft | 3920069 | 1 | |
| 7 | Guide L | 3924688 | 1 | ☆ |
| 8 | Connecting strip | 5048537 | 2 | |
| 9 | Spacer | 5049455 | 2 | |
| 10 | Guide R | 3924687 | 1 | ☆ |
| 11 | Wedge | 8x7-30 PK A4 | 2 | |
| 12 | Retaining ring | SgA 25 A2 | 3 | |
| 13 | Bearing | 6005-2RS1/C3-A4 | 2 | |
| 14 | Adapter plate | 5049482 | 1 | |
| 15 | Slip clutch | 5054004 | 1 | |
| 16 | Flange | 5048551 | 1 | |
| 17 | Spacer | 5048663 | 1 | |
| 18 | Slack protection | 5049346 | 2 | |

☆ = Recommended spare part

Revision list

| Document designation | Date | Type of revision | Entered by |
|----------------------|----------|------------------|----------------|
| XL010-E1 | 99-05-01 | New version | Enator Inforum |
| | | | |
| | | | |
| | | | |
| | | | |
| | | | |
| | | | |
| | | | |
| | | | |
| | | | |
| | | | |
| | | | |
| | | | |
| | | | |
| | | | |