



Drip tray system

Installation and assembly guidelines



Drip tray assembly

This Technical Bulletin contains guidelines describing how to install a complete FlexLink drip tray system. For further information about the products, please see the FlexLink main catalogue.

The specifications, constructional data and illustrations contained in this bulletin are not binding. We reserve the right to make alterations without prior notification.

FlexLink Systems, S-415 50 GÖTEBORG, Sweden. Tel +46-31-337 31 00. Telefax +46-31-337 22 33

Introduction

This assembly instruction applies to the following drip tray system components:

- X_DT – drip tray
- X_DV – drip pan for vertical bend
- X_DH – drip pan for horizontal bend
- X_DC – end cap for drip tray
- X_DE – end pan for drip tray
- X_DD – end pan for idler end unit
- X_DJ – drip tray connector
- XHDS – drip catcher

The following components are required (included):

- Connecting strips XLCJ 5x76
- Square nuts
- Screws M6S 8x12
- Screws M6S 5x6
- Washers BRB 8,4x16
- Washers BRB 5,3x10
- Plugs
- Supporting brackets (for XH and XK 90° vertical bend drip pans)

Drip tray bracket XLDB

Drip tray bracket XLDB 21x100 is used with all drip trays. It is recommended that one bracket is positioned at each end, as well as one additional bracket per meter if the length of the drip tray exceeds one meter. Drip tray attachment requires the following fasteners (which are not included):

- 1 XLAQ 8 square nut/bracket
- 1 M6S 8x16 screw/bracket
- 1 XLAT 17 T-bolt/bracket
- 1 XLAN 8 locking nut/bracket
- 2 BRB 8,4x16 washers/bracket

The drip tray can also be attached directly to all Type A and B support brackets with screw slots. For drip tray attachment to support brackets you will need:

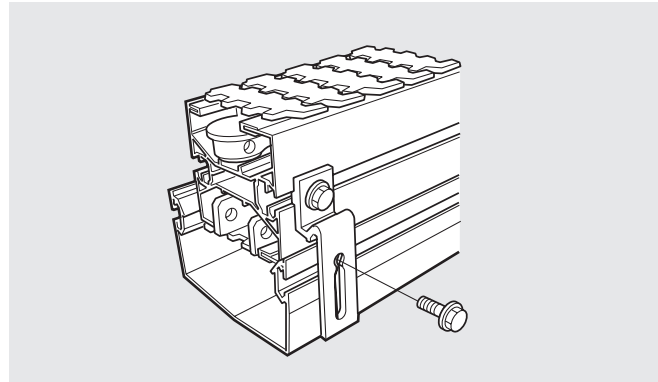
- 1 XLAQ 8 square nut/support bracket
- 1 M6S 8x16 screw/support bracket
- 1 BRB 8,4x16 washer/support bracket

Drip catcher XHDS Lx53/Lx83

To mount drip catcher XHDS you will also need drip catcher bracket assembly XHDR 23. One XHDR 23 is required per drip catcher end, and one additional bracket assembly for each meter if the length of the drip catcher exceeds one meter.

Using drip trays as a safety guard

The XLDB 21x100 drip tray bracket is equipped with a key hole function. When mounted in the upper “hole” of the key hole, the drip tray serves as a safety guard, preventing access to the return side of the chain. (See illustration below.)

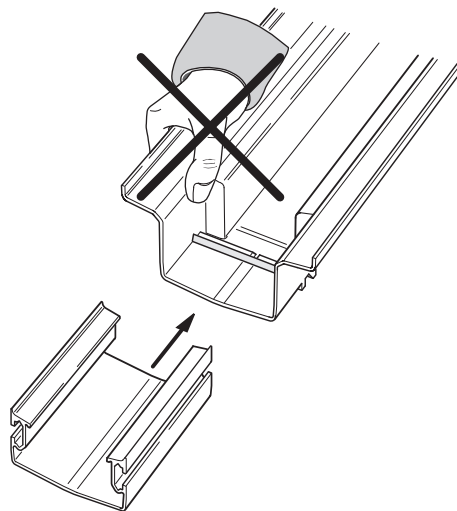


Warning!

Be aware that edges on the aluminium profiles that have not been deburred are very sharp! You should therefore be very careful when handling aluminium profiles.

It is recommended that all drip tray ends are covered with e.g. end cap X_DC, if they are not covered by any other drip tray.

Drip pans with sealing joints may be stiff to mount on to the drip tray. You should therefore avoid holding your fingers between the drip pan and drip tray as you are pressing the pan towards the drip tray (see illustration below). The resistance could suddenly release and may cause fingers to get caught.



Assembly

X_DT and XHDS cutting lengths

How to use the table:

- 1 Measure the length of conveyor beam X_CB or X_CB_N, under which you will mount the drip tray.
- 2 In the table, look up the products that will be mounted adjacent to the drip tray. Read the value where the row and the column corresponds.
- 3 Add the values from the table to the total length of the conveyor beam, as measured in step 1. If the value in the table is negative, it should be subtracted from the total length of the conveyor beam.
- 4 Cut drip trays X_DT and drip catchers XHDS to the calculated lengths.

Drip tray/ drip catcher	X_DC	X_DD	X_DE	X_DH	X_DJ	X_DV- B*	X_DV- E**
XSDT	0	+39	+35	-24	-10	+80	+110
XLDT	0	+55	+35	-25	-10	+80	+110
XMDT	0	+59	+35	-25	-10	+80	+110
XHDT	0	+31	+35	-25	-10	+80	+110
XKDT	0	+11	+35	-77	-20	+80	+115
XHDS Lx83	0	-20	0	-130	-80	+20	+135
XHDS Lx53							

* The wide, inlet, end of a drip pan for vertical bend.

** The narrow, outlet, end of a drip pan for vertical bend.

Example:

An XL conveyor beam is 500 mm long.

The XLDT drip tray that is to be placed underneath the beam will be connected to one XLDV drip pan for vertical bend, and one XLDD end pan for idler end unit.

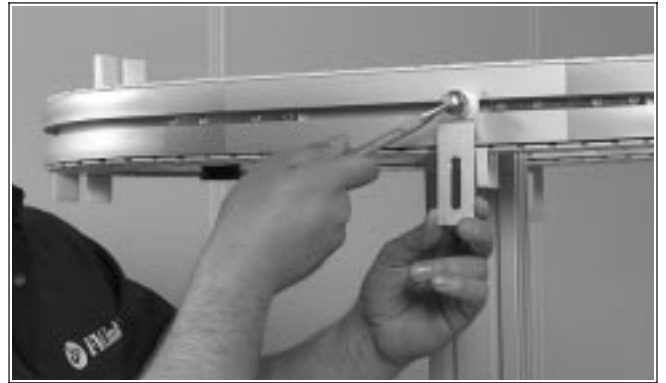
The table for cutting lengths reads +80 for XLDT/ X_DV, and +55 for XLDT/X_DD.

This means that the length of the drip tray should be $500 + 80 + 55 \text{ mm} = 635 \text{ mm}$.

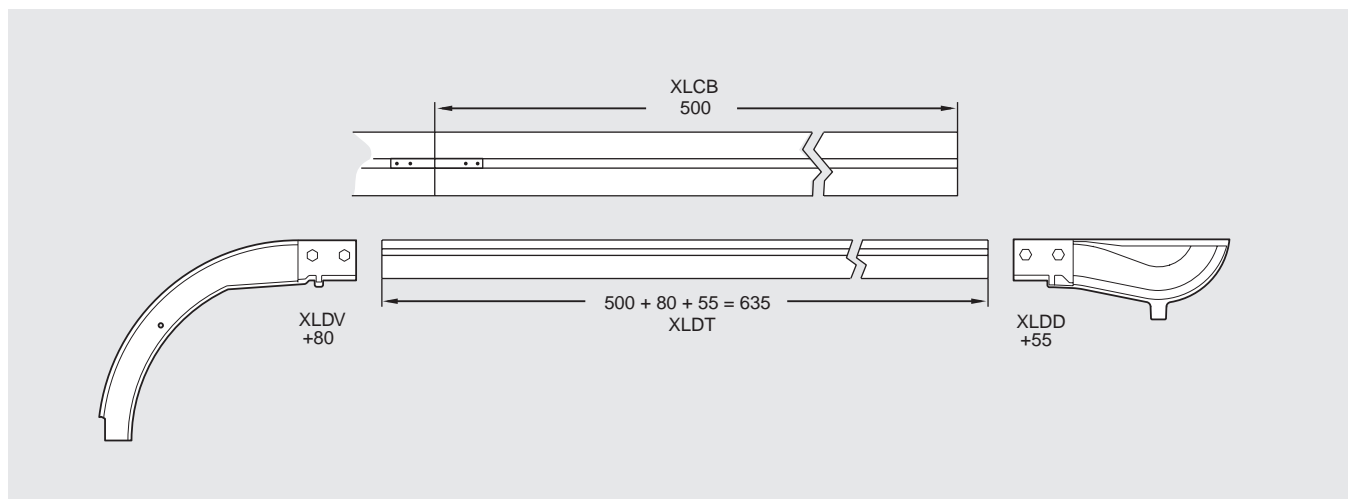
See illustration below.

X_DT

The following instruction applies to drip tray X_DT.

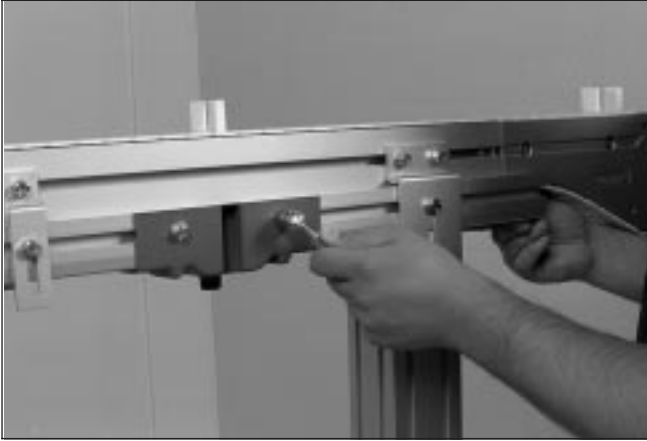


- 1 Make sure that the drip tray fits underneath the conveyor beam.
- 2 Use T-bolts, locking nuts and washers to attach the drip tray brackets to the conveyor beam T-slot.
- 3 Insert the required number of square nuts in the T-slot of the drip tray.
- 4 Attach the drip tray to the drip tray brackets. Do not tighten the screws fully; you still need to be able to adjust the position of the drip tray.
- 5 If the drip tray and the drip pans should serve as protection against personal injury, the drip tray should be mounted in the upper position on the drip tray brackets.
- 6 Tighten all screws.
- 7 Mount the drip pan that is to be connected to the drip tray (see next page).



X_DC, X_DE and X_DJ

The following instruction applies to all X_DC, X_DE and X_DJ drip pans.



- 1 Attach square nuts to the drip pan and tighten them loosely. (Use one pair with X_DC and X_DE, two pairs with X_DJ.)
- 2 Insert the square nuts into the T-slot of the drip tray.
- 3 Adjust the position of the drip tray.
- 4 If the drip tray is meant to act as a personal protection device, press the drip pan towards the drip tray and tighten the screws.

X_DD and X_DH

The following instruction applies to all X_DD and X_DH drip pans.



- 1 Attach square nuts to the drip pan and tighten them loosely. (Use one pair with X_DD, two pairs with X_DH.)
- 2 Insert the square nuts in the T-slots of the drip tray.
- 3 Adjust the position of the drip pan.
- 4 If the drip tray is meant to act as a personal protection device, press the drip pan towards the drip tray and tighten the screws.

X_DV

The following instruction applies to all X_DV drip pans.

- 1 Mount the two square nuts on to the drip pan. Do not tighten the screws.
- 2 If supporting brackets are required (for XH and XK 90° vertical bends), mount them on the vertical bends. Do not tighten the screws fully.
- 3 Insert the drip pan square nuts in the drip tray T-slots.



- 4 If used, attach the supporting brackets to the conveyor beam T-slots.
- 5 Check that the drip pan follows the curve of the conveyor beam. If not, adjust the position until it does. Tighten all screws.
- 6 If used, mount end cap X_DC on to the narrow, outfeed end of the drip pan.
- 7 If the drip pan is intended as a personal protection device, press the drip pan towards the drip tray before tightening screws.

XHDS L×53/L×83

For information on how to mount drip catcher XHDS, please see the FlexLink conveyor assembly manual (pub. no 4533).

Before start-up

- Check that the conveyor chain runs without getting in contact with the drip tray system.
- If the drip trays have been installed as a safety device, check that fingers can not get caught between chain and drip trays.
- Remove/protect sharp edges to avoid personal injury.
- Check that all screws have been tightened.
- Check that all drip outlets have been plugged up or that hoses have been connected to the correct drain or container.
- Check that all joints along the drip tray system fit tightly.