

Support components Series X

P0
X45
XS
XL
XLP
X85
X85P
XH
XK
XKP
X180
X300
GR
CS
XT
WL
XC
XF
XD
XLX
X85X
X180X
X300X
GRX
CSX
ELV
CTL
FST
TR
APX
IDX

Introduction



Introduction

The support used for the conveyor consists of a stainless steel tube, which is connected to the conveyor beam by means of a connector plate and beam support bracket.

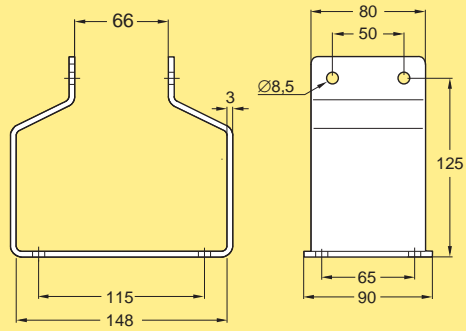
A two- or three-point foot of glass-fibre reinforced polyamide complete with connecting elements is available for use with conveyor supports of all system widths. The foot has threaded bushings and spacers in nickel-plated brass.

The maximum adjusting height of the adjustable feet is 30 mm. Anti-slip pads can be fitted to the adjustable feet. Apart from increasing the friction if the feet are not bolted to the floor, these also reduce vibration.

The components have also been evaluated and designed to reduce pinch points in order to improve personal safety.

Other support variants are available on request.

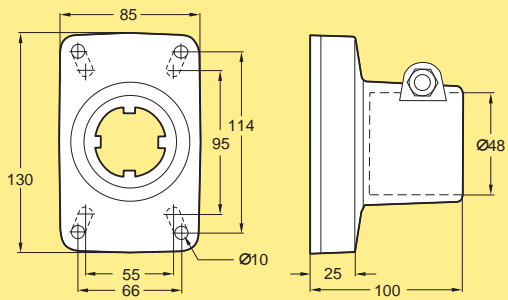
Beam support bracket, XL



Beam support bracket
Stainless steel

XLCTX 125

Connector plate



Connector plate
Reinforced polyamide

XCFC 48x85x130

Screws and nuts must be ordered separately

Beam support bracket X85X

Beam support bracket, straight beam 5114653
Stainless steel

Beam support bracket, drive unit 5114999
Stainless steel

Beam support bracket X300X

Beam support bracket, straight beam 5114655
Stainless steel

Beam support bracket, drive unit 5114998
Stainless steel

X45
XS
XL
XLP
X85
X85P
XH
XK
XKP
X180
X300
GR
CS
XT
WL

Beam support bracket X180X

Beam support bracket, straight beam 5114654
Stainless steel

Beam support bracket, drive unit 5115001
Stainless steel

Beam support bracket

Beam support bracket, wheel bends 5115171
Stainless steel

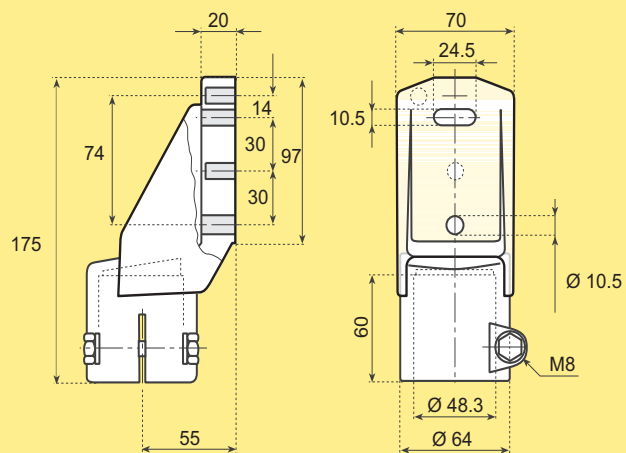
XC
XF
XD
XLX
X85X
X180X
X300X

Beam support bracket

Beam support bracket, reinforced single sided suspension for support of plain bends 5115162
Stainless steel

GRX
CSX
ELV
CTL
FST
TR
APX
IDX

Beam support bracket

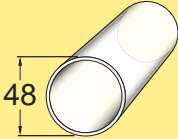


Beam support bracket 5114458

Reinforced polyamide. (2) Screw M6S 10x35 A4, (2) Hex domed cap nut MHM M10 A4, and (2) Washer BRB 10,5x20 A4 in stainless steel (not included)

For mounting hardware, see chapter Fasternes (FST) in Product catalogue 5147.

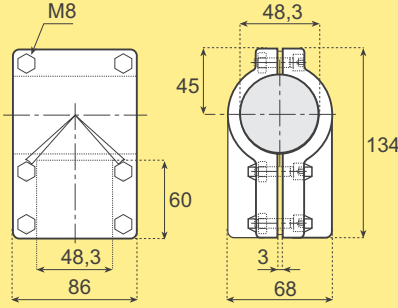
Support profile



Support profile
Stainless steel
Length 3 m ± 20 mm
Length to order

XCBMX 3x48
XCBMX Lx48

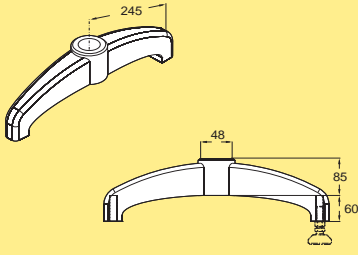
T-connector



T-connector
Reinforced polyamide, screws and nuts in stainless steel

5114962

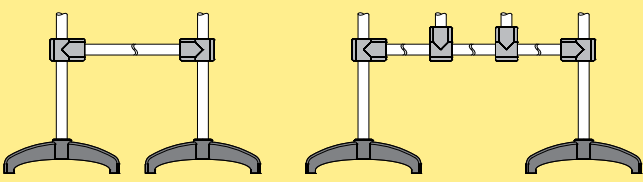
Polyamide foot, 2-point



Two-point foot
Reinforced polyamide
Threaded bushings and spacers in nickel plated brass
(Adjustable foot XCFS 16x60x65 not included)

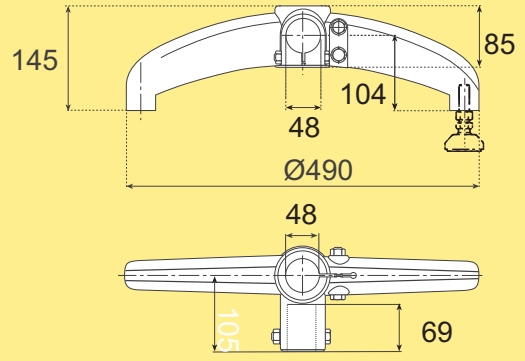
XCFG 48 D

Example of support profile configuration



Support profile XCBMX Lx48, T-connector 5114962 and Polyamide feet

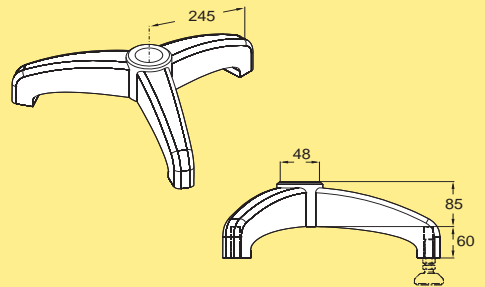
Polyamide foot, 2-point with joint



Two-point foot
Reinforced polyamide
Threaded bushings and spacers in nickel plated brass
(Adjustable foot XCFS 16x60x65 not included)

XCFG 48 DJ

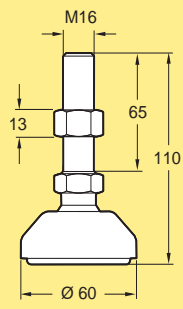
Polyamide foot, 3-point



Three-point foot
Reinforced polyamide
Threaded bushings and spacers in nickel plated brass
(Adjustable foot XCFS 16x60x65 not included)

XCFG 48 T

Polyamide foot, adjustable



Adjustable foot
Stainless steel
M16 thread

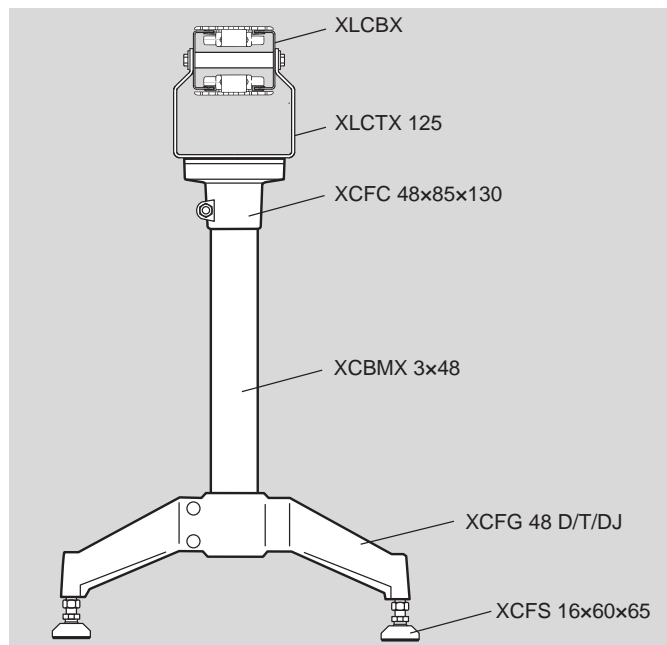
XCFS 16x60x65

Including nut
Maximum vertical load 12000 N

X45
XS
XL
XLP
X85
X85P
XH
XK
XKP
X180
X300
GR
CS
XT
WL
XC
XF
XD
XLX
X85X
X180X
X300X
GRX
CSX
ELV
CTL
FST
TR
APX
IDX

Example of support profiles

Example of support profile, XLX

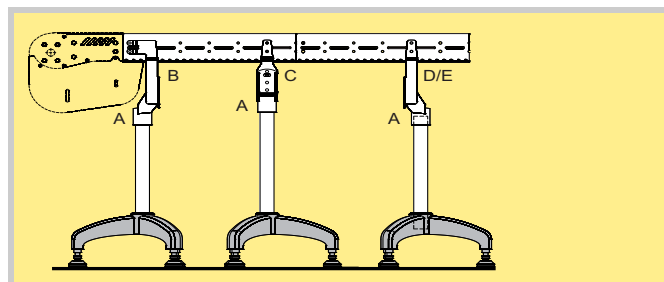


Ordering information

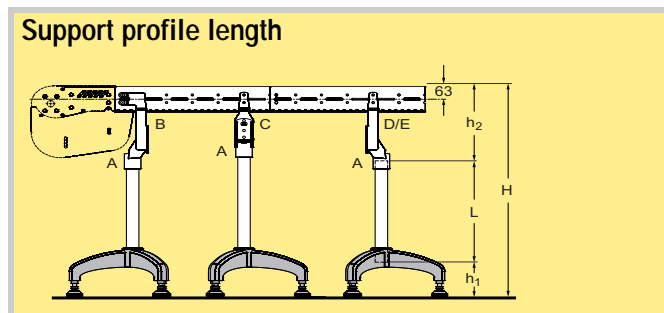
Screws, nuts and brackets must be ordered separately for the following components:

Designation	Attachment to	Mounting hardware required	Qty
Beam XLCBX	XLCTX 125	M6S 8x20 A4 XLANX 8 BRB 8,4x16 A4	4 4 4+4
XLCTX 125	XCFC 48x85x130	ISO 4014 M8x40 A4 BRB 8,4x16 A4 ISO 4032 M8 A4	4 4 4
XCFC 48x85x130	XCBM 3x48	Fasteners are included	
XCBM 3x48	XCFG 48D/T	Fasteners are included	
XCFG 48D/T	XCFS 16x60x65	Fasteners are included	

Example of support profile, X85X, X180X, X300X



A	B	C	D	E
5114458	5114999	5115162	5114653	5115171
	5115001		5114654	
	5114998		5114655	



A	B	C	D	E
5114458	5114999	5115162	5114653	5115171
	5115001		5114654	
	5114998		5114655	

The beam length required to obtain a specific conveyor height H depends on the conveyor size, foot type and beam support bracket. See figure. In the following formula H represents the height from the floor to the top of a standard plain chain. Most support combinations permit height adjustment both at the foot and at the beam support bracket.

$$L = H - h_1 - h_2$$

Net height of foot h_1

Foot type	h_1 mm
XCFG 48 D+XCFS 16x60x65	(60+72) 132
XCFG 48 DJ+XCFS 16x60x65	(60+72) 132
XCFG 48 T+XCFS 16x60x65	(60+72) 132

Height h_2

Beam	Bracket type	h_2 mm (TOC*)
85x113 mm	A+B	314
85x113 mm	A+C	263
85x113 mm	A+D	314
85x113 mm	A+E	314

*Top of a plain chain, 4 mm+ Slide rail 2,5 mm

Ordering information

Profiles are available in standard lengths of 3 m or other lengths cut to order.