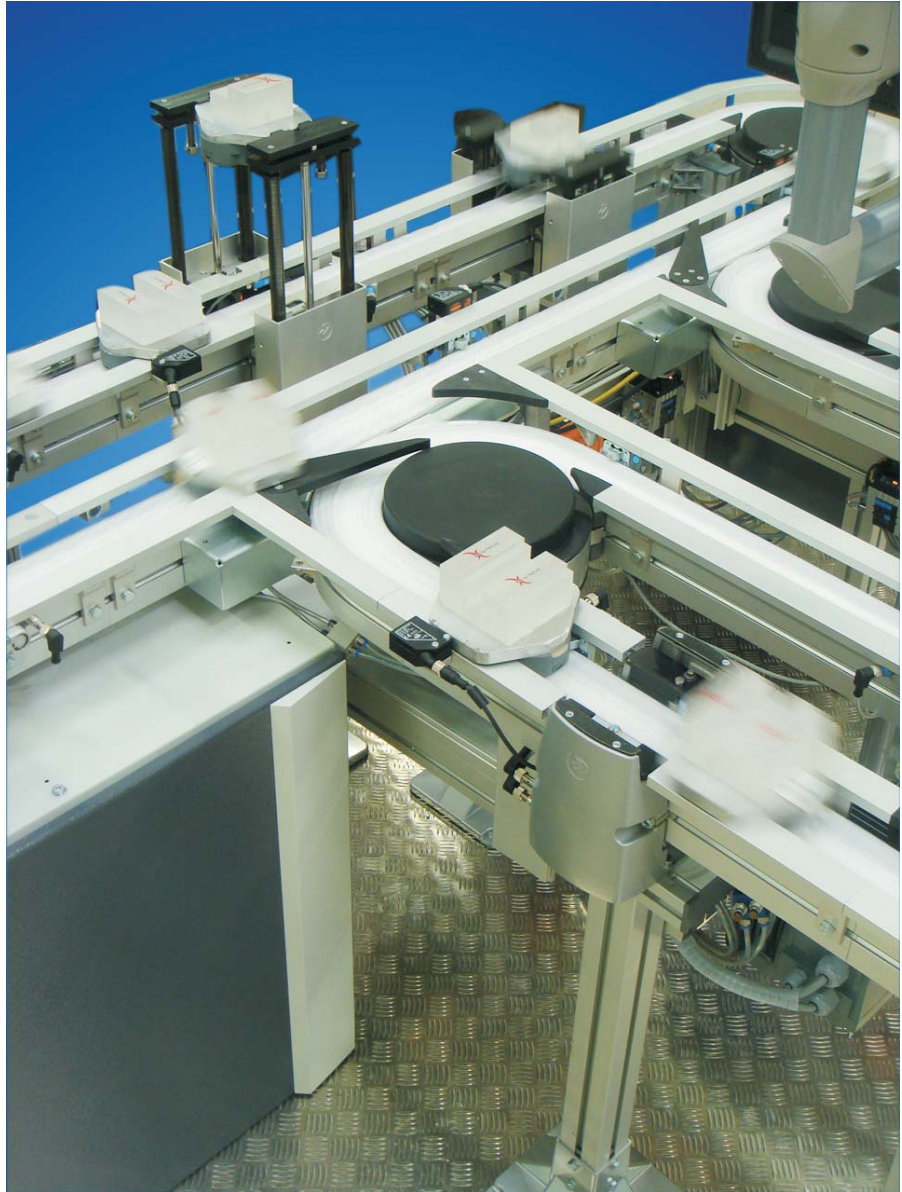


Key accessories

RFID – Sensors – Pneumatics – Motors



FlexLink key accessories

RFID components – Sensors – Pneumatics – Drive unit motors and accessories

2008-09-24

XTUC S11 Part no.

2008-12-10

5111952 Part no.

562119-120 Part no.

2009-02-03

Motor spec 50/60 Hz, variable speed “Fits 0-unit version” updated.

2009-10-22

Speed table deleted, ref to Drive unit guide

RFID equipment	
RFID reader/writer	2
RFID tag	2
Sensors	
Photoelectric sensors.....	3
Mounting system	4
Reflectors.....	4
Inductive sensors.....	5
Cylinder sensors (magnetic)	5
Pneumatics	
Valve terminals.....	6
Air supply valve units	7
Pneumatic accessories.....	8
Drive unit motors and accessories	
Communication interfaces for drive units.....	9
Motor specifications – introduction.....	9
Motor specifications, 50 Hz, fixed speed	10
Motor specifications, 60 Hz, fixed speed	14
Motor specifications, 50 Hz, variable speed	17
Motor specifications, 60 Hz, variable speed	18

RFID equipment

See IFM web site <http://www.ifm-electronic.com> for more information.

RFID reader/writer

RFID reader/writer 5058152



Protocol	Asi, analogue, profile 7.4
Connection	M12
Enclosure class	IP67
Separation	>100 mm
Max conveyor speed	30 m/minute
Transmission frequency	125 kHz
Manufacturer	IFM Efelector
IFM designation	DTA100
FlexLink designation	5058152

RFID tag

RFID tag 5058153



Dimension	M5×16, screw mounting
Data storage	15 bits. The 15 bits can represent a value. All tags are delivered with the same stored value – 125 (decimal).
Manufacturer	IFM Efelector
IFM designation	E80301
FlexLink designation	5058153

Sensors

Photoelectric sensors

More information: See "Product Finder" at www.sick.com.

Photoelectric sensor W27



Range	30–1100 mm
Type	Proximity switch
SICK designation	WTB27-3P2441
SICK order No.	1027744

Photoelectric sensors W9



Range	30–250 mm	0–3 m with PL80A	0–7 m	0,1–4 m with PL20A
Type	Proximity switch	Reflex switch	Through beam switch	Laser reflex switch
SICK designation	WT9-2P430	WL9-2P430	WS-WE9-2P430	WL9L-P330
SICK order No.	1018295	1018283	1019261	1023976

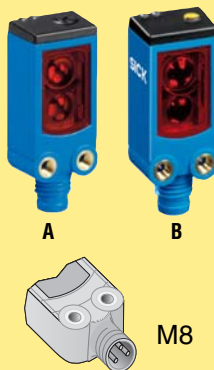
Photoelectric sensors V18



Range	3–100 mm	3–100 mm	3–100 mm	5–400 mm
Type	Proximity switch	Proximity switch	Proximity switch	Proximity switch
Sensing type	Focused optics	Focused optics	Focused optics	Energetic optics
Housing	Plastic	Plastic, with potentiometer for adjustment of sensitivity	Metal, with potentiometer for adjustment of sensitivity	Plastic, with potentiometer for adjustment of sensitivity
SICK designation	VTF18-3F1640	VTF18-3F1740	VTF18-3F1240	VTE18-3P4740V
SICK order No.	6012882	6012900	6012828	6013329

Range	0,05–3,7 m with C110	0,05–3,7 m with C110	0,05–3,7 m with C110	0,05–3,7 m with C110
Type	Reflex switch	Reflex switch	Reflex switch	Reflex switch
Housing	Plastic, with potentiometer for adjustment of sensitivity	Plastic	Metal	Metal, 90° angle
SICK designation	VL18-3F3740	VL18-3F3640	VL18-3P3140	VL18-3P3340
SICK order No.	6013620	6013602	6013527	6013563

Photoelectric sensors W4



Range	4–150 mm	0,02–1,2 m with PL20A
Type	Proximity switch	Reflex switch
See figure	A	B
SICK designation	WTB4-3P2161	WLG4-3F2132
SICK order No.	1028099	1028127

Photoelectric sensors MH 15



M12

Range	10–350 mm	10–100 mm with PL20A	0,035–1,1 m with PL20A
Type	Proximity switch	Proximity switch	Reflex switch
SICK designation	MHT15-P3247	MHT15-P3217	MHL15-P3336
SICK order No.	1026111	1026095	1026129

Photoelectric sensors ELF (for US market only)

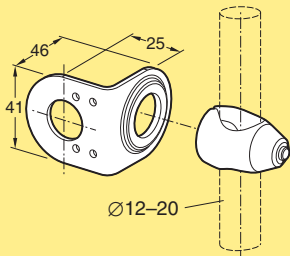


Range	0–50 mm	0–100 mm	0,07–4 m with PL80A	0,07–4 m with PL80A
Type	Proximity switch, back-ground suppression	Energetic	Reflex	Reflex
Light/dark	Light	Light	Light	Dark
Note	PNP, cable 2 m	PNP, cable 2 m	PNP, cable 2 m	PNP, cable 2 m
SICK designation	ET1-P122	ET1-P222	EL1-P122	EL1-F122
SICK order No.	7027222	7027226	7027206	7027207

More information: see "Product Finder" at www.sickusa.com.

Mounting system

Mounting bracket 18 mm



Suitable for	Sensor families V18, W4 and IM18
SICK designation	BEF-KHS-H01
SICK order No.	2022465

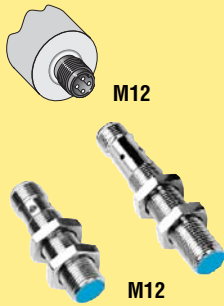
Reflectors

Reflectors for reflex sensors

SICK designation	PL22-1	PL80A	PL30A
SICK order No.	1003546	1003865	1002314
Dimensions			

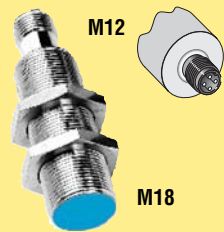
Inductive sensors

Inductive sensors IM12



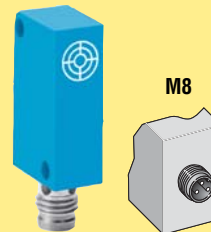
Range	2 mm	4 mm	4 mm	8 mm
Installation	Flush model	Flush model	Flush model	Non-flush model
Output	Normally open	Normally open	Normally closed	Normally open
See figure	A	A	A	B
SICK designation	IM12-02BPS-ZCK	IM12-04BPS-ZC1	IM12-04BP0-ZC1	IM12-08NPS-ZC1
SICK order No.	1017428	7900037	7900039	7900045

Inductive sensor IM18



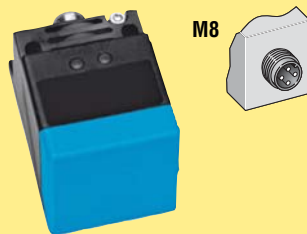
Range	12 mm
Installation	Non-flush model
Output	Normally open
SICK designation	IM18-12NPS-ZC1
SICK order No.	7900097

Inductive sensor IQ10



Range	6 mm
Installation	Non-flush model
Output	Normally open
SICK designation	IQ10-06NPS-KT1
SICK order No.	7900209

Inductive sensor IQ40



Range	15 mm	35 mm
Installation	Flush model	Non-flush model
Output	Normally open	Normally open
SICK designation	IQ40-15BPS-KC0	IQ40-35NPS-KC0
SICK order No.	7900097	7900224

Cylinder sensors (magnetic)

Magnetic sensors



Supply voltage	DC 10–30 V	AC/DC 10–30 V
Continuous current	Max. 100 mA	Max. 500 mA
Output	Normally open	Normally open
SICK designation	MZT1-03VPS-KP0	RZT1-03ZRS-KP0
SICK order No.	1016910	1016912

Pneumatics

See Festo website <http://www.festo.com> for more information

Valve terminals

General valve specifications

- 5/2-way double solenoid
- Pneumatic supply: 10 mm
- Pneumatic working ports: 6 mm
- Integrated silencer
- Available for Profibus and DeviceNet (see below)



Valves for Profibus

Communication	Profibus, enclosed D-sub				
Inputs	16 DI, M8 connectors		24 DI, M8 connectors		32 DI, M8 connectors
Valves	4 pcs	6 pcs	8 pcs	10 pcs	12 pcs
FESTO order No.	50E-F13GESERER-D+M 32P-SGL-R-MA-4J	50E-F13GESERER-D+M 32P-SGL-R-MAA-6JLL	50E-F13GESERERER-D+M 32P-SGL-R-MAA-8J	50E-F13GESERERER-D+M 32P-SGL-R-M3A-10JLL	50E-F13GESERERERER-D+M 32P-SGL-R-M3A-12J

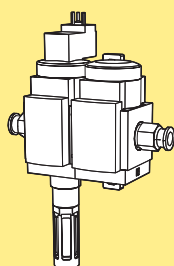
Valves for DeviceNet

Communication	DeviceNet, enclosed D-sub				
Inputs	16 DI, M8 connectors		24 DI, M8 connectors		32 DI, M8 connectors
Valves	4 pcs	6 pcs	8 pcs	10 pcs	12 pcs
FESTO order No.	50E-F11GDSEERER-D+M 32P-SGL-R-MA-4J	50E-F11GDSEERER-D+M 32P-SGL-R-MAA-6JLL	50E-F11GDSEERERER-D+M 32P-SGL-R-MAA-8J	50E-F11GDSEERERER-D+M 32P-SGL-R-M3A-10JLL	50E-F11GDSEERERERER-D+M 32P-SGL-R-M3A-12J

Air supply valve units

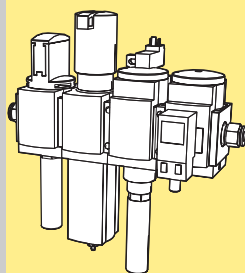


Air supply valve unit, without filter



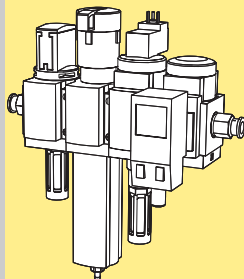
Order number	562119
Air supply in	Push-in fitting, 10 mm, QS
Air supply out	Push-in fitting, 10 mm, QS
Connector	151689, electrical actuation, KMEB
Service unit combination	531029, MSB4-1/4: C4:J11:D4-WP Includes: EE (Electrical actuation) DL (Soft start) WP (Mounting brackets)
Pressure control range	1-12 Bar
Nominal flow rate	800-1400 l/min
Grade of filtration	0,01-40 µm

Air supply valve unit, with filter



Order number	562120
Air supply in	186104, Push-in fitting, 12 mm, QS
Air supply out	12 mm, QS
Connector	151689, electrical actuation, KMEB
Connector	159431, Pressure switch
Service unit combination	531030, MSB6-3/8: C4:J11:D4-WP Includes: EM1 (Manual actuation) EE (Electrical actuation) LFR (Filter regulation) WP (Mounting brackets)
Pressure control range	1-12 Bar
Nominal flow rate	1700-4800 l/min
Grade of filtration	0,01-40 µm
Soft start	527684, MS6
Module connector	532799, MS6
Pressure switch	534157, SDE1



Air supply valve unit, with filter






Order number	562118
Air supply in	186101, Push-in fitting, 10 mm, QS
Air supply out	10 mm, QS
Connector	151689, electrical actuation, KMEB
Connector	159431, Pressure switch
Service unit combination	531029, MSB4-1/4: C4:J11:D4-WP Includes: EM1 (Manual actuation) EE (Electrical actuation) LFR (Filter regulation) WP (Mounting brackets)
Pressure control range	1-12 Bar
Nominal flow rate	800-1400 l/min
Grade of filtration	0,01-40 µm
Soft start	527711, MS4
Module connector	532789, MS4
Pressure switch	534064, SDE1

Pneumatic accessories

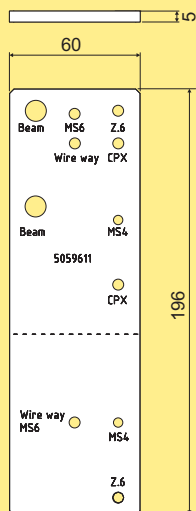
Plastic tubing

Dimension	6 mm	10 mm	2x6 mm
FESTO designation	PUN-6x1-SI	PUN-10x1,5-SI	PUN-6x1-DUO-SI
FESTO order No.	152586	152588	152823
Figure			

Pneumatic connectors

Type	Push-in Y connector		Push-in connector		Push-in T connector
Dimension	6 mm	10 mm	8 mm	10 mm	6 mm
FESTO designation	QSMY-6	QSY-10	QSM-6	QS-10	QSMT-6
FESTO order No.	153372	153151	153325	153034	153367
Figure					

Bracket kit for air supply valve units



Bracket kit **5111952**

Including one pair of bracket 5059611.

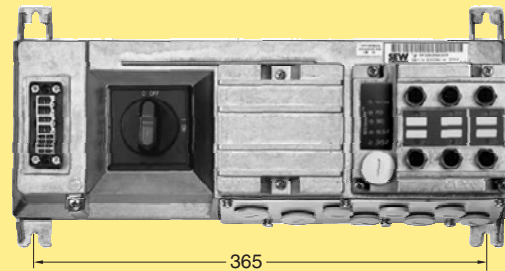
Drive unit motors and accessories

Communication interfaces for drive units

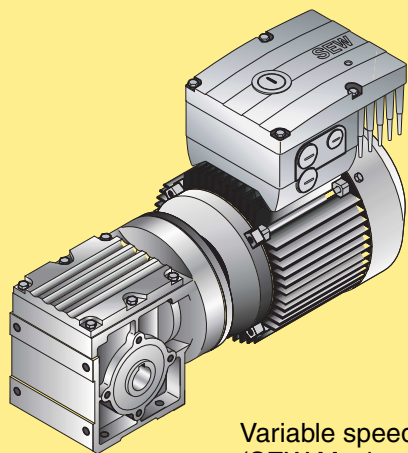
ASi, Profibus, and DeviceNet type fieldbus interfaces are available, each in two sizes: Z3 and Z6. Type Z6 includes a power switch.

Field bus interfaces

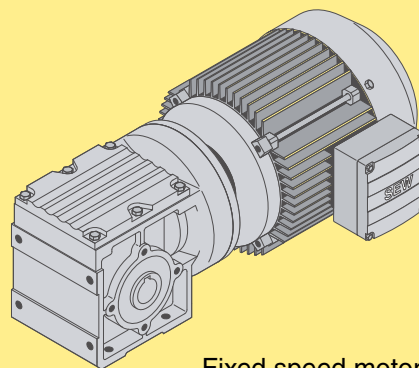
Type	Z.3 ASi	Z.3 Profibus	Z.3 DeviceNet	Z.6 ASi	Z.6 Profibus	Z.6 DeviceNet
Configuration	2 digital inputs included, M12	4 digital inputs and 2 digital outputs included, M12	4 digital inputs and 2 digital outputs included, M12	2 digital inputs included, M12	4 digital inputs and 2 digital outputs included, M12	4 digital inputs and 2 digital outputs included, M12
FlexLink designation	5057733	5057734	5057735	5057736	5057737	5057738
Figure						



Motor specifications – introduction



Variable speed motor
(SEW Movimot)



Fixed speed motor

See “**Drive unit guide 5014**” for more information about motors for drive units. Also see Appendix F in the main FlexLink catalogue 5147. Both documents are also available on the FlexLink website <http://www.flexlink.com>.

© Copyright FlexLink 2009

The contents of this publication are the copyright of the publishers and may not be reproduced (even extracts) unless permission is granted. Every care has been taken to ensure the accuracy of the information but no liability can be accepted for any errors or emissions. The right is reserved to make design modifications.

Drawings are made to European standards.

Patents

Essential parts of the FlexLink system are protected by patents and design regulations.