



XK SPARE PARTS



CONVEYOR AND PALLET HANDLING SYSTEMS

Content

End drive unit	2
End drive unit, heavy-duty	5
End drive unit, direct drive.....	7
End drive unit, overhead motor	9
Double drive unit (c/c 106 mm).....	12
Double drive unit (c/c 150-350 mm)	15
Catenary drive unit.....	19
Catenary drive unit, heavy-duty	22
Horizontal bend drive unit.....	26
Idler unit	30
Complete wheel bend	33
Pallet locating station and pallet stop, type A, XKPX 175 A	35
Pallet locating station and pallet stop, type A/B, XKPD 32x15 LA/LB	36
Pallet stop device, type A/B, XKPD 32x15 A/B ...	37
Spare parts Slide rail - XK	41
Spare parts Chains - XK	43
Spare parts Guide rail cover - XK	45
Product designations in alphanumeric order	47

© Copyright FlexLink 2011

The contents of this publication are the copyright of the publishers and may not be reproduced (even extracts) unless permission is granted. Every care has been taken to ensure the accuracy of the information but no liability can be accepted for any errors or omissions. The right is reserved to make design modifications.

Patents

Essential parts of the FlexLink product range are protected by patents and design regulations.
Drawings are made to European standards.

Catalogue instructions

1. How to read the catalog: Open the catalog and from the pictorial index locate the group in which the part you want to find is present. Turn over to the concerned page number (as given by pictorial index). Now find out the figure of the part you wish to order. Jot down the part number against that particular figure number from the text. In case, if you have the part number and you need the other details, the part index can be used. The part index (at the end of the catalog) will give you the figure and page number of the part you wish to order.

2. How to order spare parts: The part number and the description of the part required should be invariably mentioned in the order as per the catalog text. The latest part number as conveyed through our service circulars should only appear on the order. In case of ordering colored components, color code of the components should be mentioned. The quantity shown against the part number is the quantity per unit for that group so that particular quantity should be multiplied by the number of sets required.

3. Abbreviations: The following abbreviations are used in this catalog:

assly.	Assembly
V	Volts
N.I.	Not illustrated
W	Watt
Comp.	Complete
Fr	Front
Std.	Standard
L	Length
A/t.	Alternate
Rr	Rear
L.H.	Left hand
R.H.	Right hand
AR	As required
<i>(Part number)</i> Part number presented in "parantheses" and in Italic character style	Parts are included in a Spare parts kit.
*)	These items can only be purchased as part of a kit and when an item has an * the corresponding item always is placed between brackets (..) see above.
Recomended Spare part	Parts which are usually kept in stock and have short turnaround (See item 4)

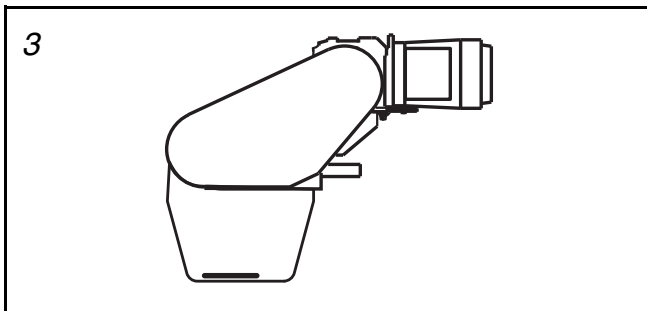
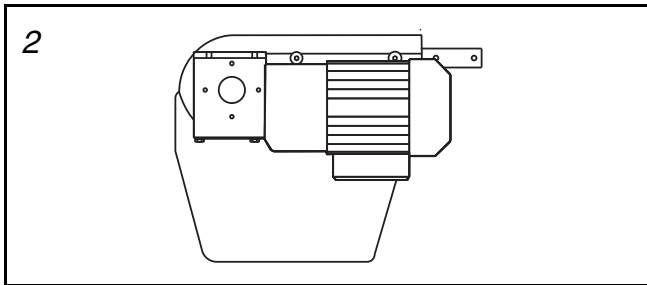
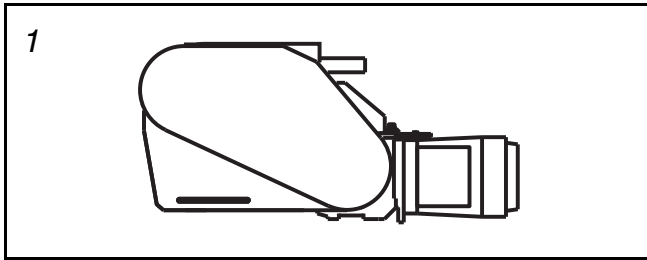
4. Recomendded Spare parts:

Several items of the complete spare parts overview are ear-marked as recommended spare parts. FlexLink advises its customers to purchase and stock these specific items for replacement in case of failure of the original item. The recommended spares are limited to only these items for which the cost of buying is in a fair relationship to the risk (i.e. probability * impact) of sudden failure. It merely consists of wear parts and some electrical and pneumatic components.



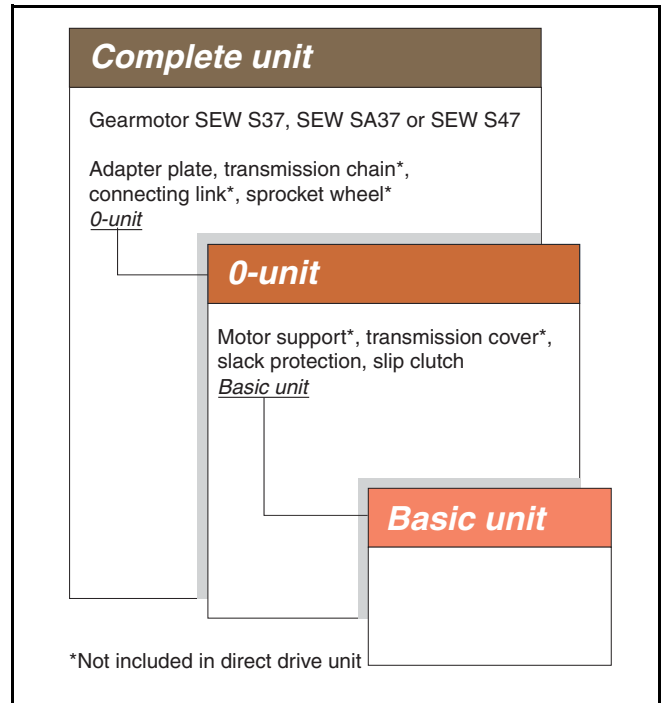
End drive unit - XK

Contents



Revision list

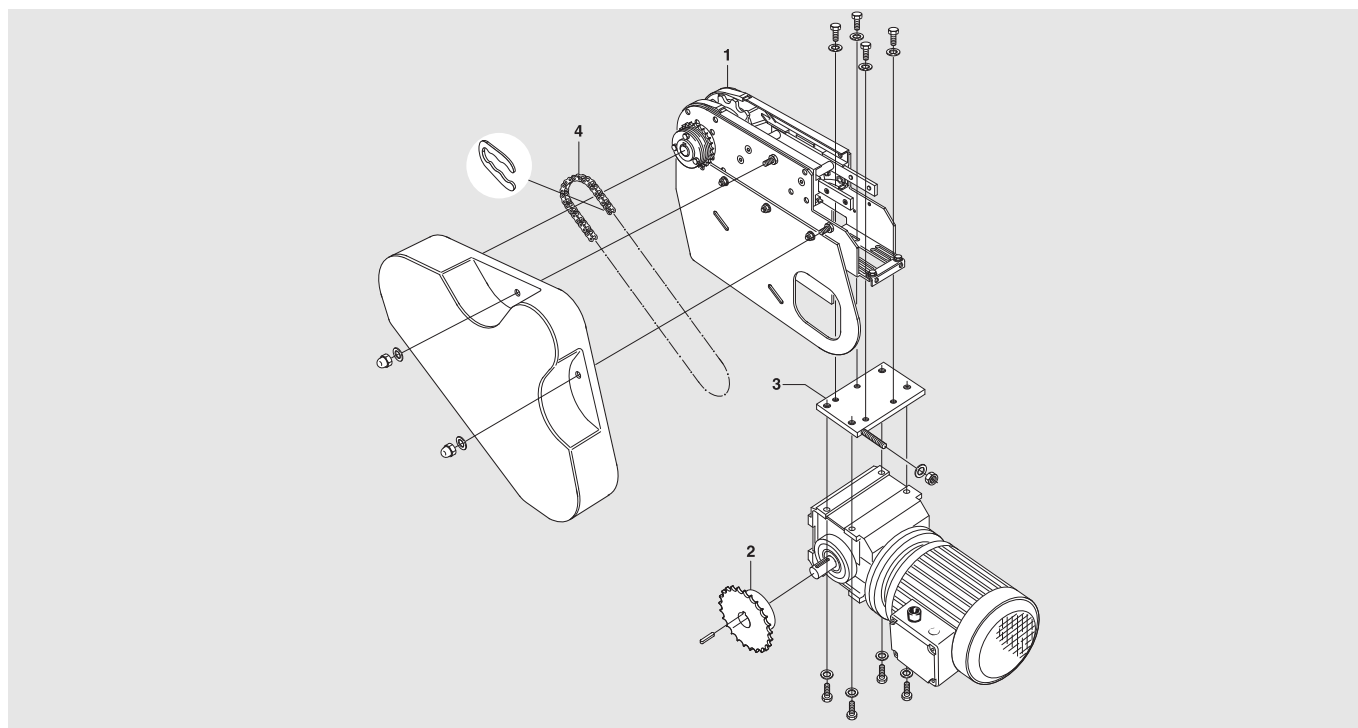
Doc ID	Date	Type of revision	Entered by
XK001-E1	98-10-14	New version	Enator Inforum
XK001-E2	00-05-15	Part No change	AerotechTelub
XK001-E3	00-06-14	End drive unit, direct drive XKEB HLP/HRP added	AerotechTelub
XK001-E4	00-09-15	XKEB HLP/HRP: changed to XKEB LP/RP	AerotechTelub
XK001-E5	00-10-04	P. 11 XKEB 0 LU/RU del.	AerotechTelub
XK001-E6	01-04-24		
XK001-E7	08-10-30	Spare part kits added	JE
XK001-E8	09-03-19		JE
XK001-E9	10-02-12	Updated (page 4)	JE
XK001-E10	10-02-16	Slip clutch SP kit deleted	JE
XK001-E11	10-06-22	Added new col.	JE



End drive unit

Complete unit – XKEB _L/R/LA/RA

For SEW S37 gearmotor



Item	Description	Part No	Qty	Comments	Recommended Spare parts
1	0-unit (left-hand version)	XKEB 0 L/LA	1	See next page for details	
	0-unit (right-hand version)	XKEB 0 R/RA	1	See next page for details	
	Motor alternative, see Drive unit guide 5014				
2	Sprocket wheel 1/2" including set screw		1	See table below	X
3	Adapter plate including bolts and washers	3924197	1	For SEW S37 gearmotor	
	Adapter plate	3924455	1	Blind adapter plate	
4	Transmission chain 1/2" including connecting link	3921638	1	ISO/R- 1967- 08B- 1 (ISO)	X
	Transmission chain 1/2" including connecting link	5044948	1	ISO/R- 1967- 08A- 1 (ANSI)	X

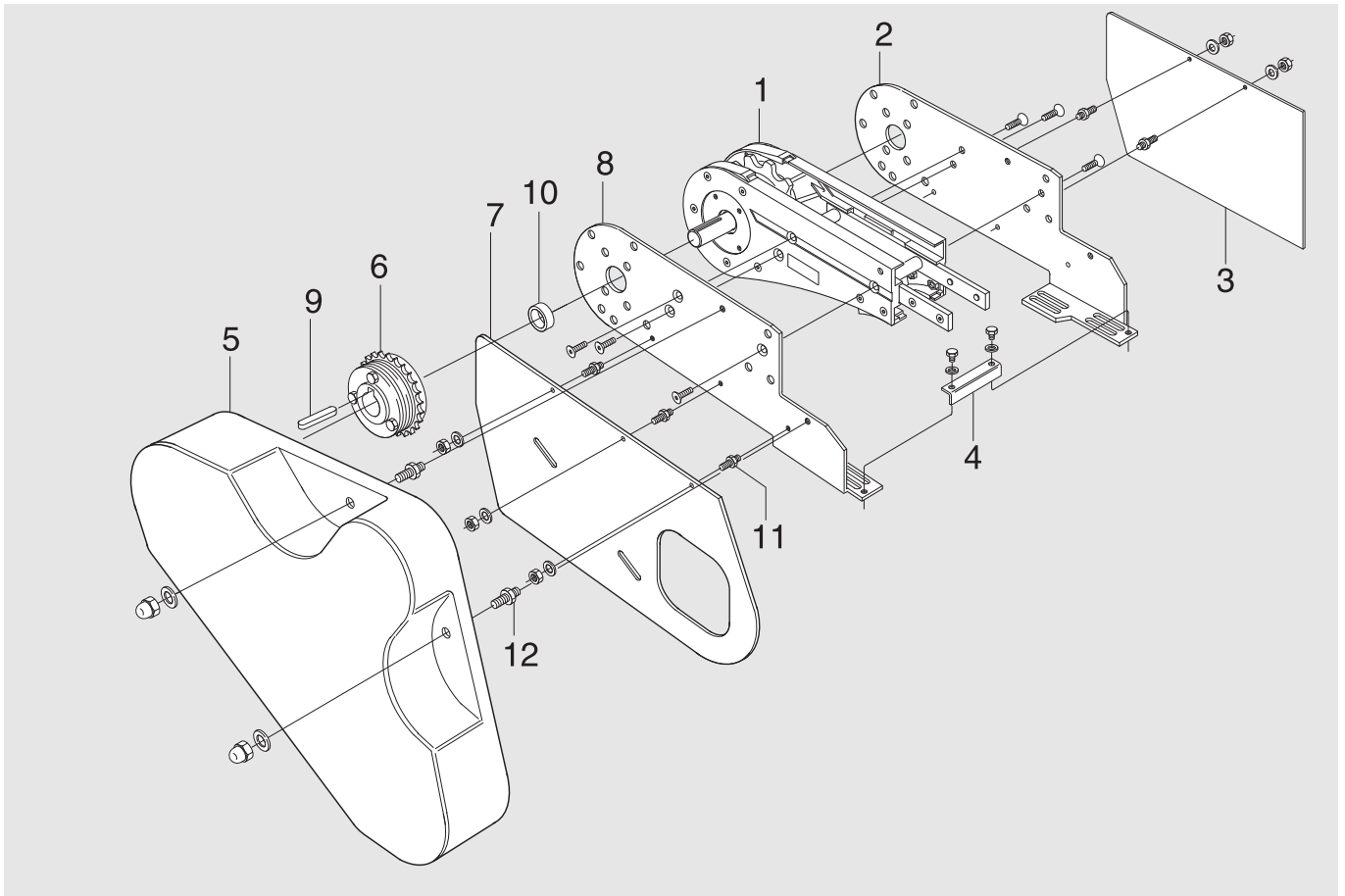
Important

Items 2-4 must be ordered separately when ordering a 0-unit (item 1). The sprocket wheel (item 2) should be specified in accordance with the following table:

Sprocket wheel 1/2"	Part No (SEW)
z ₁ =19	3924438
z ₁ =21	3924439
z ₁ =23	3924440
z ₁ =25	3921258
z ₁ =15 ANSI	5044935
z ₁ =17 ANSI	5044936
z ₁ =19 ANSI	5044937
z ₁ =21 ANSI	5044938
z ₁ =23 ANSI	5044939
z ₁ =25 ANSI	5044940

End drive unit

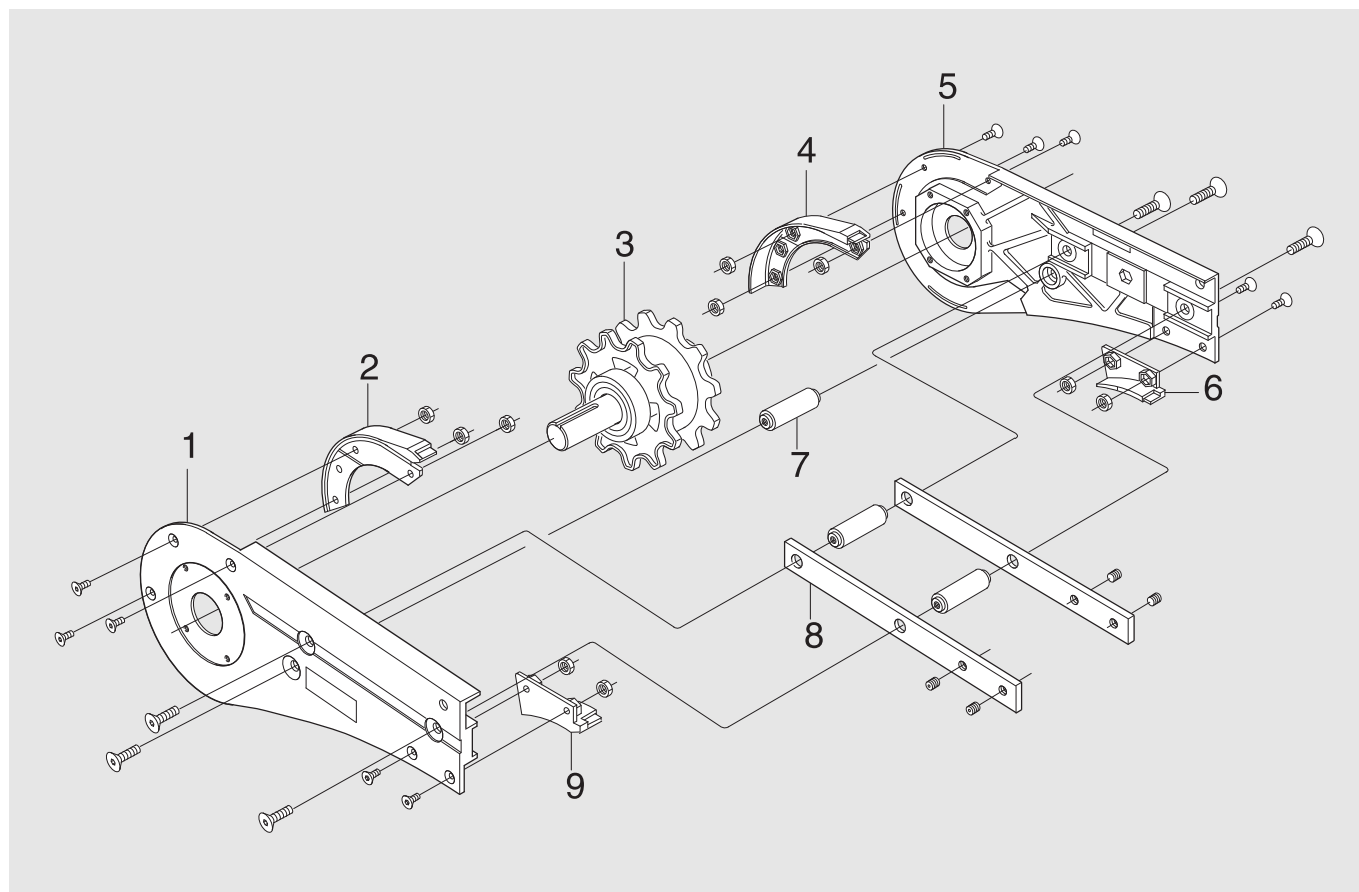
0-unit – XKEB 0 L/R/LA/RA



Item	Description	Part No	Qty	Comments	Recommended Spare parts
1	Basic unit (left-hand version)	XKEB 0 HLU	1	See next page for details	
	Basic unit (right-hand version)	XKEB 0 HRU	1	See next page for details	
2	Motor bracket	3925025	1		
3*	Slack protection	(3925590)	1	See kit below	
4	Adjusting block	3924287	1		
5	Transmission cover	3925068	1		
6	Slip clutch Ø25 mm	5053981	1	ISO	
	-Slip clutch, Spare parts kit	5056817	1	ISO, incl. cup spring, ball, chain wheel.	X
	Slip clutch Ø25 mm	5054000	1	ANSI	
	-Slip clutch, Spare parts kit	5056820	1	ANSI, incl. cup spring, ball, chain wheel.	X
7*	Slack protection	(3925589)	1	See kit below	
8	Motor bracket	3925024	1		
9	Thin parallel key	8x7-50	1	DIN 6885A h9	
10	Distance	3925325	1		
11*	Distance screw	(3904862)	5	See kit below	
12*	Distance screw	(3904855)	2	See kit below	
*) 3+7	Slack protection kit	5111650	1		
*) 11	Distance screw kit	5111600	1	Kit contains 10 pcs	
*) 12	Distance screw kit	5111599	1	Kit contains 10 pcs	

End drive unit

Basic unit – XKEB 0 HLU/HRU

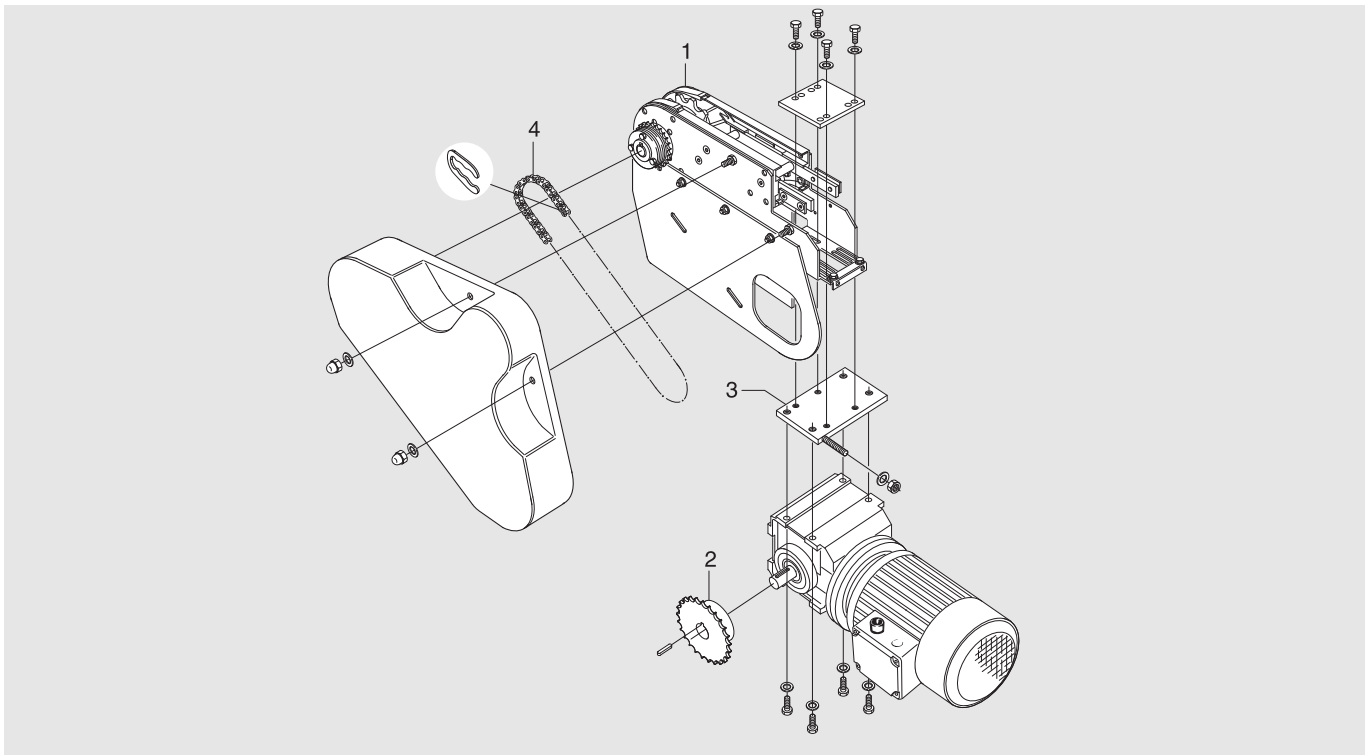


Item	Description	Part No	Qty	Comments	Recommended Spare parts
1*	Side plate L	(3920210)	1	See kit below	
2, 4	Spare parts kit Steering guide	5051421	1		X
3	Drive wheel kit	3925063	1	Incl. wheel, shaft, bearing and wedge	X
5*	Side plate R	(3920209)	1	See kit below	
6*	Guide R	(3924763)	1	See kit below	
7	Spacer	3924989	3		
8	Connecting strip	3921123	2		
9*	Guide L	(3924764)	1	See kit below	
*) 1+5	Side plate kit	5111651	1		
*) 6+9	Spare parts kit Guide	5111652	1		X

End drive unit, heavy-duty

Complete unit – XKEB_ HL/HR/HLA/HRA

For SEW S47 gearmotor



Item	Description	Part No	Qty	Comments	Recommended Spare parts
1	0-unit (left-hand version)	XKEB 0 HL/HLA	1	See next page for details	
	0-unit (right-hand version)	XKEB 0 HR/HRA	1	See next page for details	
2	Sprocket wheel 5/8" incl. grub screw		1	See table below	X
3	Adapter plate incl. bolts and washers, reinforc. plate	3925035	1		
	Adapter plate	3924455	1	Blind adapter plate	
4	Transmission chain 5/8" incl. connecting link	3925957	1	ISO/R- 1967- 08B- 1 (ISO)	X
	Transmission chain 5/8" incl. connecting link	5044980		ISO/R- 1967- 08A- 1 (ANSI)	X

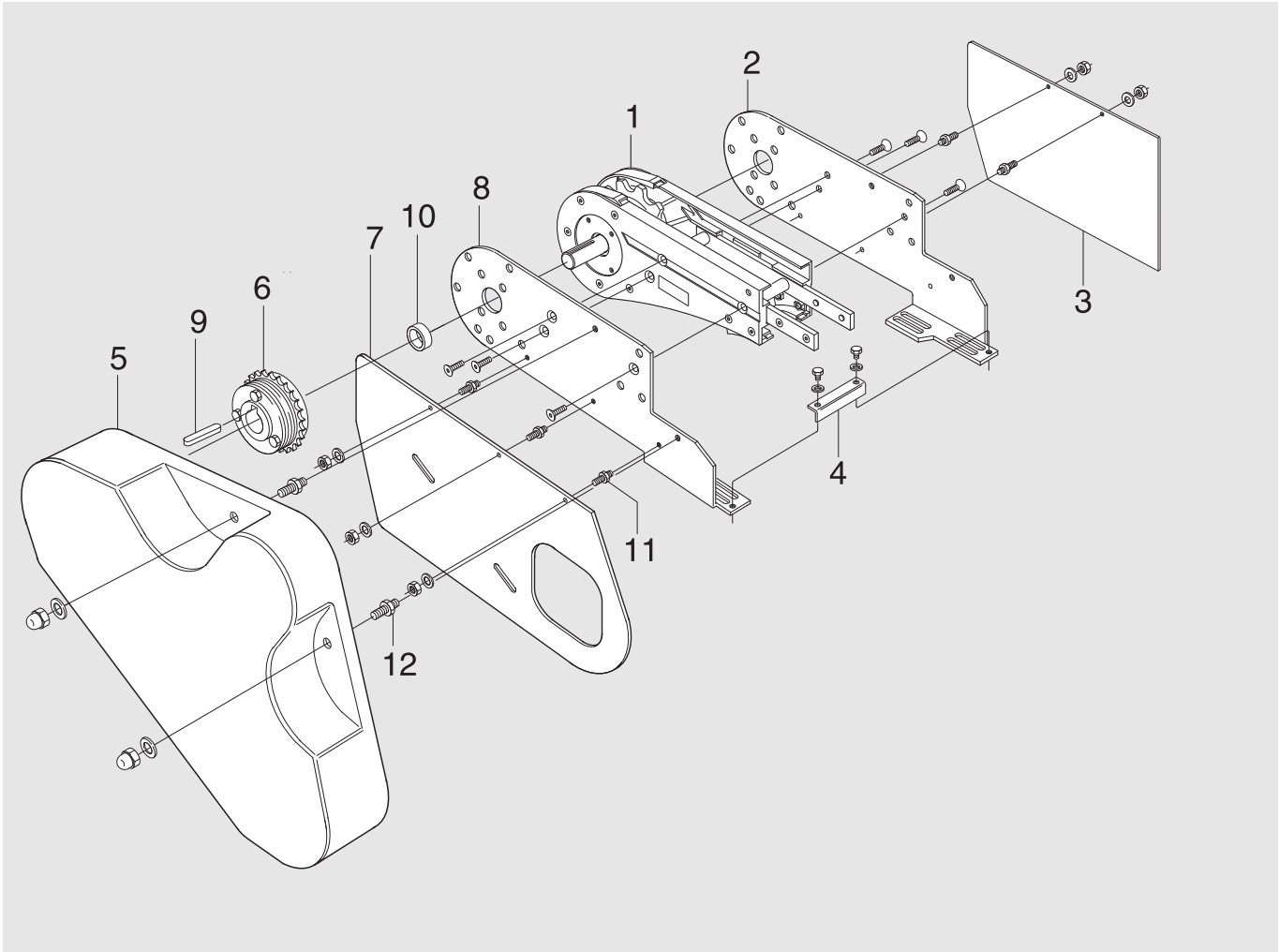
Important

Items 2-4 must be ordered separately when ordering a 0-unit (item 1). The sprocket wheel (item 2) should be specified in accordance with the following table:

Sprocket wheel 5/8"	Part No (SEW)
z ₁ =15	3925259
z ₁ =17	3925260
z ₁ =19	3925261
z ₁ =21	3925262
z ₁ =23	3925263
z ₁ =25	3925264
z ₁ =15 ANSI	5044972
z ₁ =17 ANSI	5044973
z ₁ =19 ANSI	5044974
z ₁ =21 ANSI	5044975
z ₁ =23 ANSI	5044976
z ₁ =25 ANSI	5044977
z ₂ =25 ANSI	5045367

End drive unit, heavy-duty

0-unit – XKEB 0 HL/HR/HLA/HRA

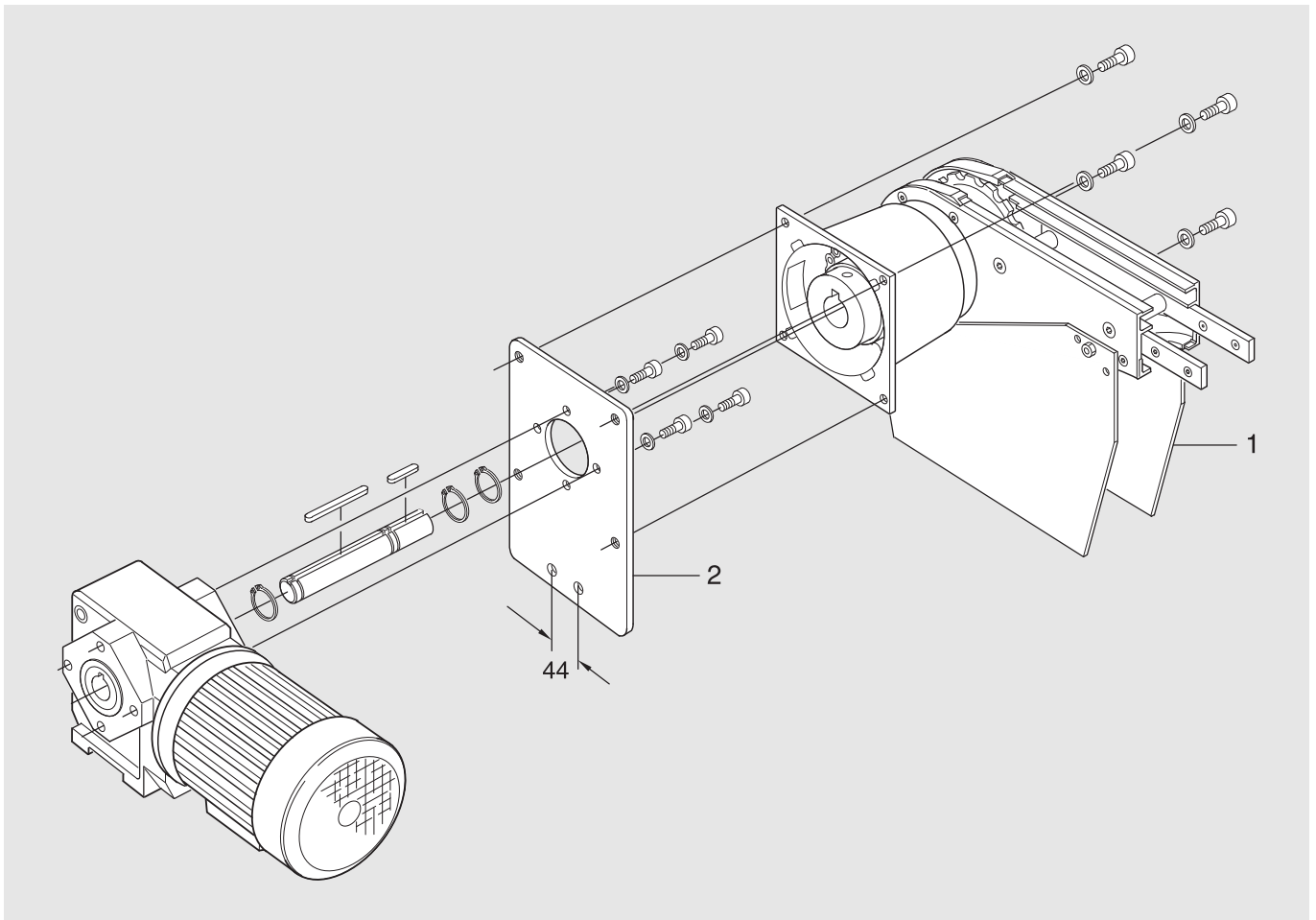


Item	Description	Part No	Qty	Comments	Recommended Spare parts
1	Basic unit (left-hand version)	XKEB 0 HLU	1	See Page 4 for details	
	Basic unit (right-hand version)	XKEB 0 HRU	1	See Page 4 for details	
2	Motor bracket	3925025	1		
3*	Slack protection	(3925590)	1	See kit below	
4	Adjusting block	3924287	1		
5	Transmission cover	3925068	1		
6	Slip clutch Ø25 mm	5054001	1	ISO, 5/8"	X
	Slip clutch Ø25 mm	5054002	1	ANSI, 5/8"	X
7*	Slack protection	(3925589)	1	See kit below	
8	Motor bracket	3925024	1		
9	Thin parallel key	8×7–50	1	DIN 6885 A h9	
10	Distance	3925325	1		
11*	Distance screw	(3904862)	5	See kit below	
12*	Distance screw	(3904855)	2	See kit below	
*) 3+7	Slack protection kit	5111650	1		
*) 11	Distance screw kit	5111600	1	Kit contains 10 pcs	
*) 12	Distance screw kit	5111599	1	Kit contains 10 pcs	

End drive unit, direct drive

Complete unit – XKEB_LP/RP/LAP/RAP

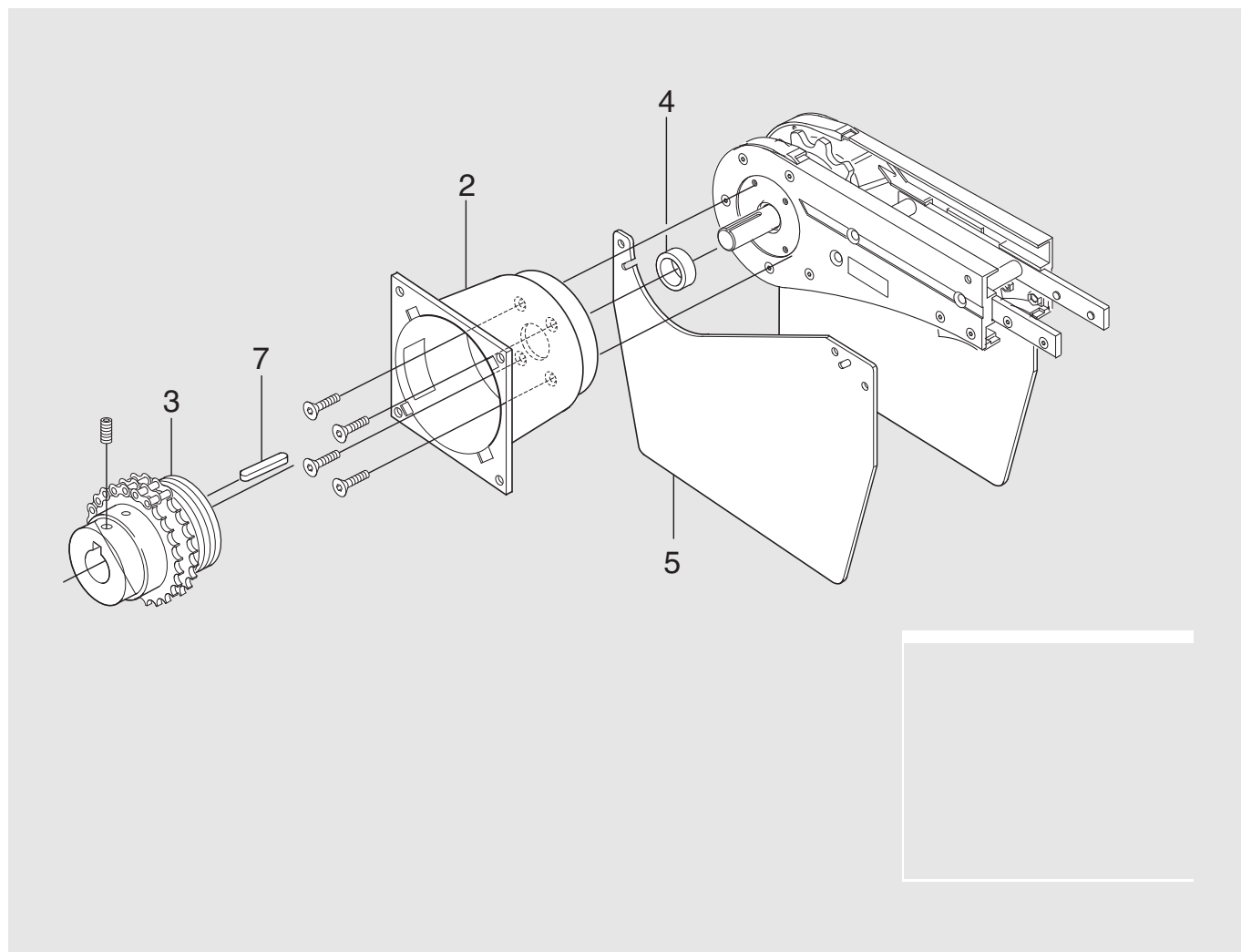
For SEW SA37 gearmotor



Item	Description	Part No	Qty	Comments	Recommended Spare parts
1	0-unit (left-hand version)	XKEB 0 LP	1	See next page for details	
	0-unit (right-hand version)	XKEB 0 RP	1	See next page for details	
	Motor , see Drive unit guide 5014				
2	Adapter plate including bolts, washers and shaft	3920088	1	SEW SA37 gearmotor	

End drive unit, direct drive

0-unit – XKEB 0 LP/RP

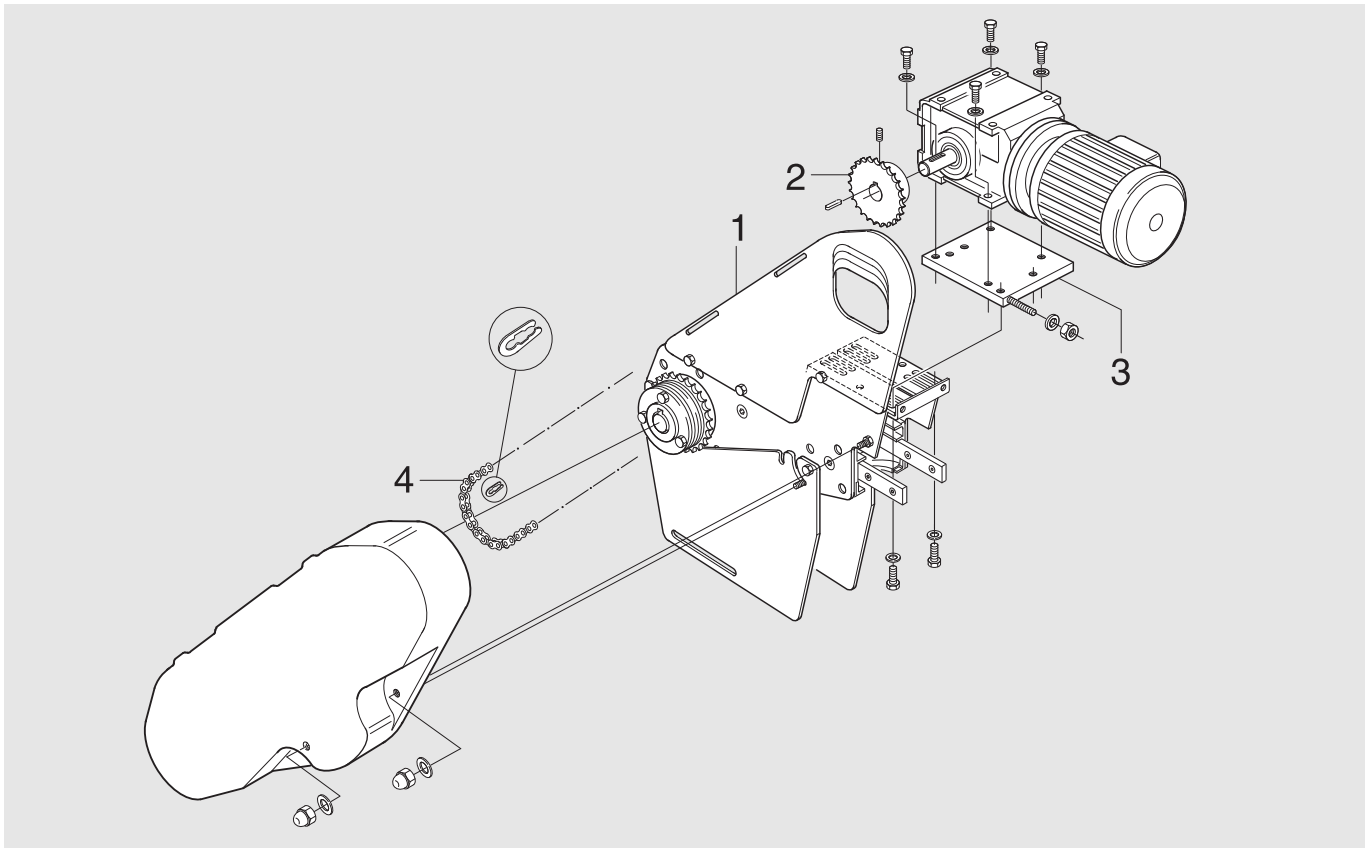


Item	Description	Part No	Qty	Comments	Recommended Spare parts
1	Basic unit (left-hand version)	XKEB 0 HLU	1	See Page 4 for details	
	Basic unit (right-hand version)	XKEB 0 HRU	1	See Page 4 for details	
2	Flange	3920084	1		
3	Slip clutch $\varnothing 20\text{--}\varnothing 25$ mm	5054003	1		X
4	Distance ring	3925921	1		
5*	Slack protection	(5048340)	2	See kit below	
6	Screw	(3925718)	4	See kit below	
7	Thin parallel key	8x7-40	1	DIN 6885 A h9	
*) 5	Slack protection kit	5111653	1	LH+RH	
*) 6	Distance screw kit	5111598	1	Kit contains 10 pcs	

End drive unit, overhead motor

Complete unit – XKEH _L/R/LA/RA

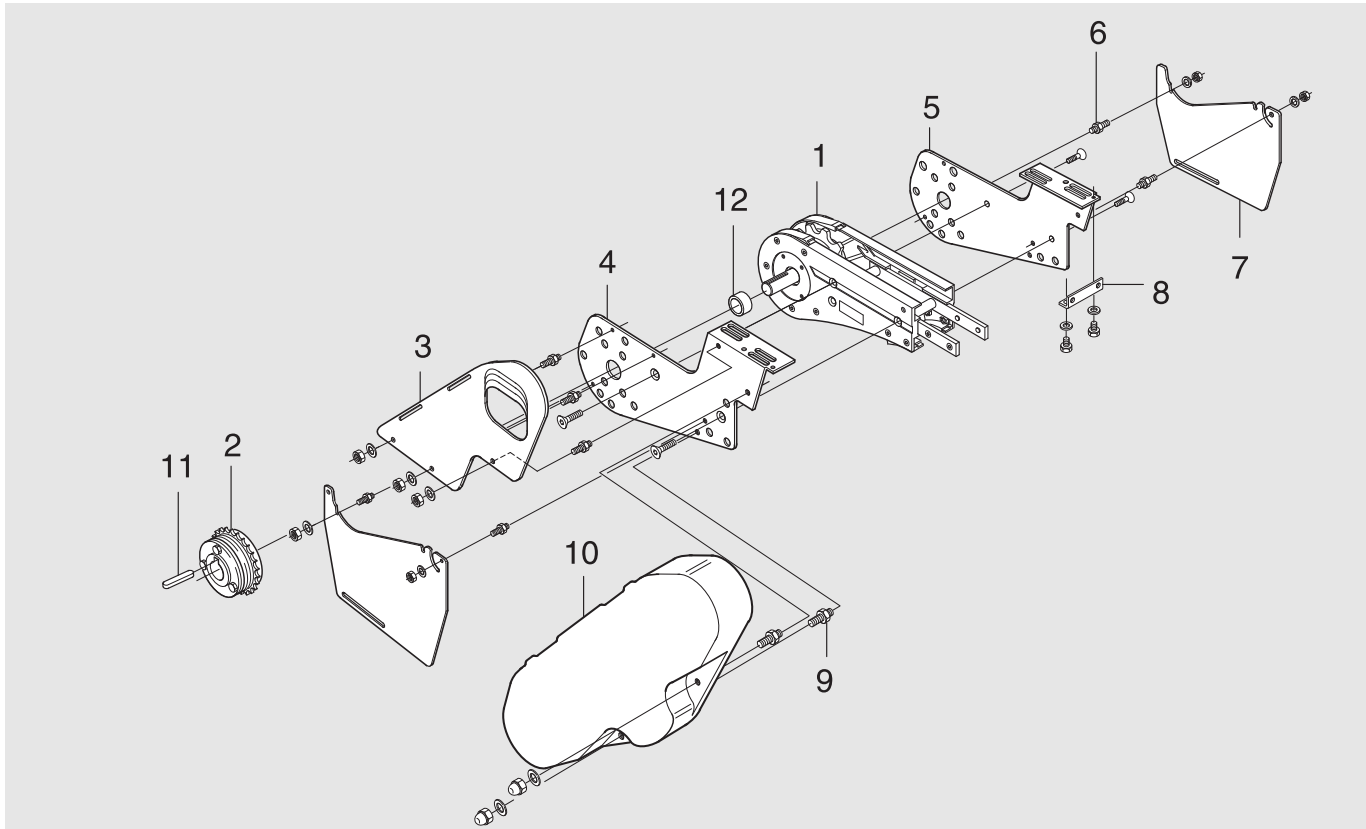
For SEW S37 gearmotor



Item	Description	Part No	Qty	Comments	Recommended Spare parts
1	0-unit (left-hand version)	XKEH 0 L/LA	1	See next page for details	
	0-unit (right-hand version)	XKEH 0 R/RA	1	See next page for details	
2	Sprocket wheel 1/2" including grub screw	See page 2	1		
3	Adapter plate including bolts and washers	3924197	1	For SEW S37 gearmotor	
	Adapter plate	3924455	1	Blind adapter plate	
4	Transmission chain 1/2" including connecting link	See page 2	1	ISO/R- 1967- 08B- 1 (ISO)	X
	Transmission chain 1/2" including connecting link	See page 2	1	ISO/R- 1967- 08A- 1 (ANSI)	X

End drive unit, overhead motor

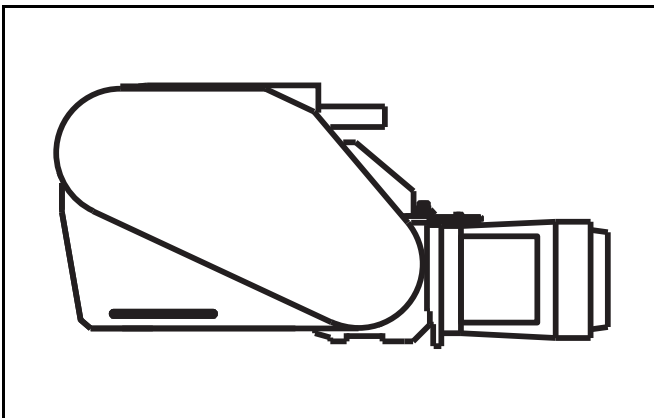
0-unit – XKEH 0 L/R/LA/RA



Item	Description	Part No	Qty	Comments	Recommended Spare parts
1	Basic unit (left-hand version)	XKEB 0 HLU	1	See Page 4 for details	
	Basic unit (right-hand version)	XKEB 0 HRU	1	See Page 4 for details	
2	Slip clutch Ø25 mm	5053981	1	ISO	
	-Slip clutch, Spare parts kit	5056817	1	ISO, incl. cup spring, ball, chain wheel.	X
	Slip clutch Ø25 mm	5054000	1	ANSI	
	-Slip clutch, Spare parts kit	5056820	1	ANSI, incl. cup spring, ball, chain wheel.	X
3	Safety guard	3926402	1		
4	Motor bracket L	3926400	1		
5	Motor bracket R	3926401	1		
6*	Screw	(3904862)	6	See kit below	
7*	Slack protection	(3926375)	2	See kit below	
8	Adjusting block	3924287	1		
9*	Screw	(3904855)	2	See kit below	
10	Transmission cover	3925068	1		
11	Thin parallel key	8×7–50	1	DIN 6885A h9	
12	Distance ring	3925325	1		
*) 7	Slack protections kit	5111633	1		
*) 6	Distance screw kit	5111600	1	Kit contains 10pcs	
*) 9	Distance screw kit	5111599	1	Kit contains 10pcs	

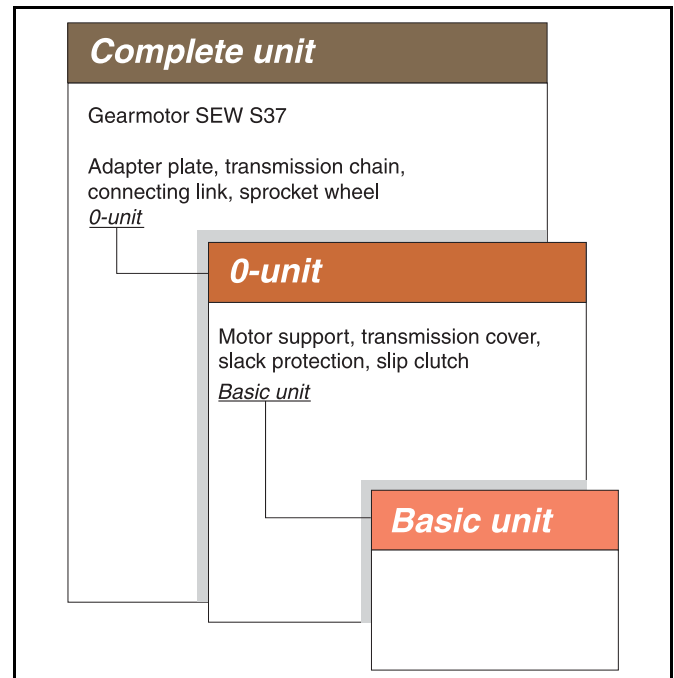


Double drive unit - XK



Revision list

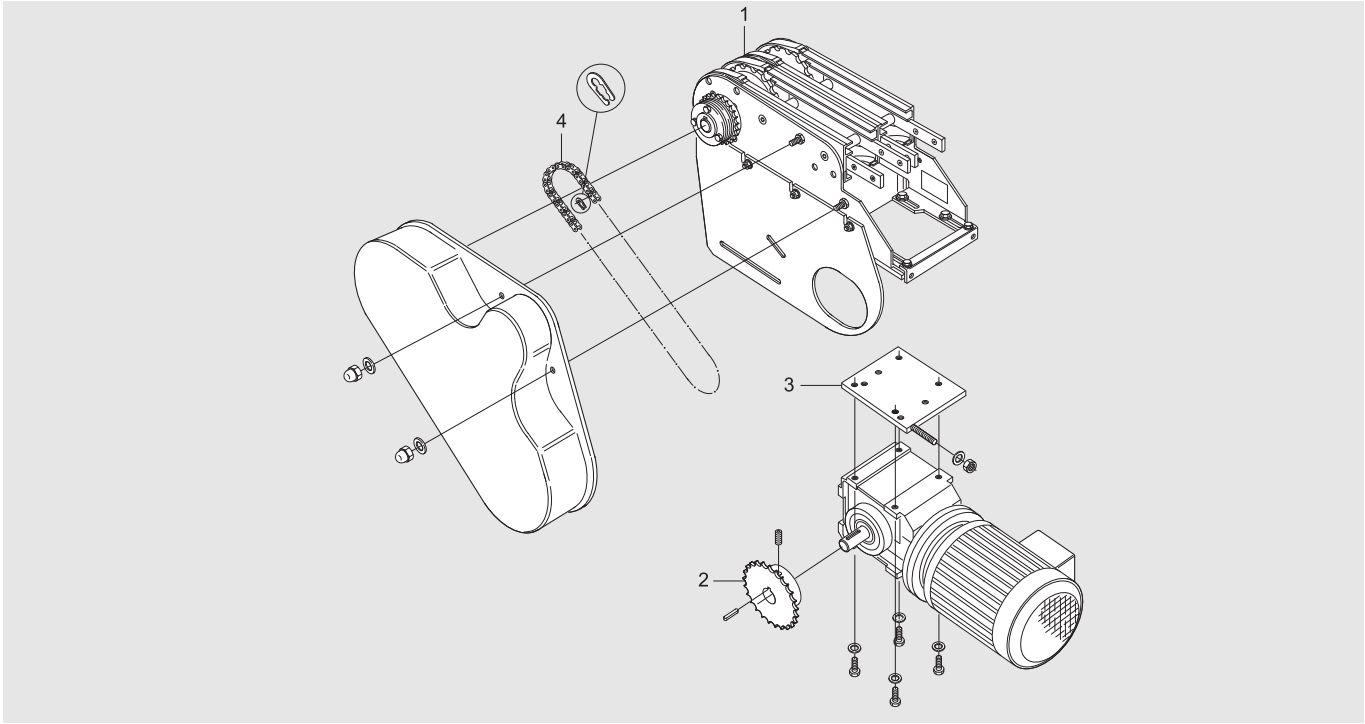
Document designation	Date	Type of revision	Entered by
XK002-E1	98-10-14	New version	Enator Inforum
XK002-E2	99-09-13	Double drive unit (c/c106mm)	TietoEnator
XK002-E3	00-05-15	P. 4 item 2.4: PartNo change	AerotechTelub
XK002-E4	08-10-22	Spare part kits added	JE
XK002-E5	09-03-19		JE
XK002-E6	10-06-22	Added new col.	JE



Double drive unit (c/c 106 mm)

Complete unit – XKEB _LD/RD106/LAD106/RAD106*

For SEW S37 gearmotor



Item	Description	Part No	Qty	Comments	Recommended Spare parts
1	0-unit (left-hand version)	XKEB 0 LD/LAD106	1	See next page for details	
	0-unit (right-hand version)	XKEB 0 RD/RAD106	1	See next page for details	
2	Sprocket wheel 1/2" including grub screw		1	See table below	X
3	Adapter plate including bolts and washers	3926310	1	For SEW S37 gearmotor	
	Adapter plate	3924455	1	Blind plate	
4	Transmission chain 1/2" including connecting link	3921638	1	ISO/R- 1967- 08B- 1 (ISO)	X
	Transmission chain 1/2" including connecting link	5044948	1	ISO/R- 1967- 08A- 1 (ANSI)	X

* c/c 106 mm

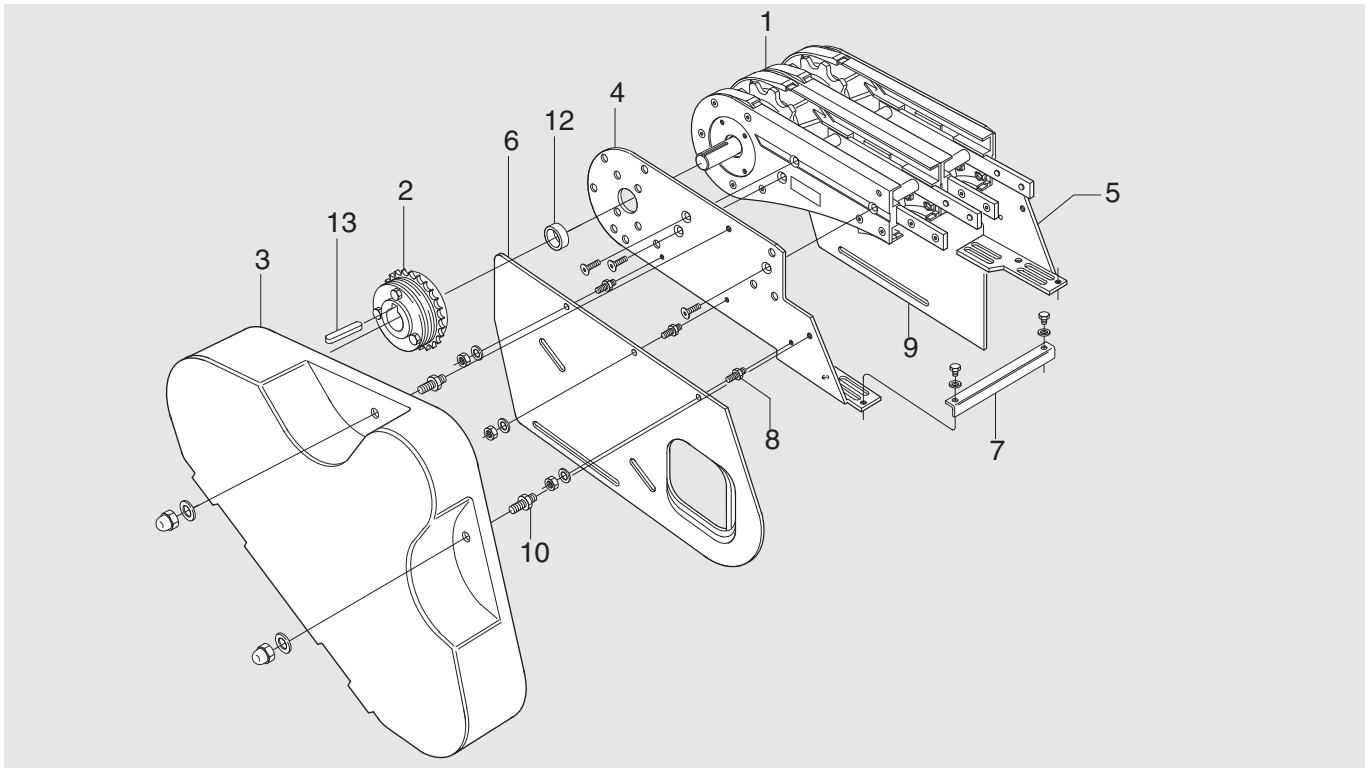
Important

Items 2-4 must be ordered separately when ordering a 0-unit (item 1). The sprocket wheel (item 2) should be specified in accordance with the following table:

Sprocket wheel 1/2"	Part No (SEW)
z ₁ =19	3924438
z ₁ =21	3924439
z ₁ =23	3924440
z ₁ =25	3921258
z ₁ =15 ANSI	5044935
z ₁ =17 ANSI	5044936
z ₁ =19 ANSI	5044937
z ₁ =21 ANSI	5044938
z ₁ =23 ANSI	5044939
z ₁ =25 ANSI	5044940

Double drive unit (c/c 106 mm)

0-unit – XKEB 0 LD/RD/LAD/RAD106*

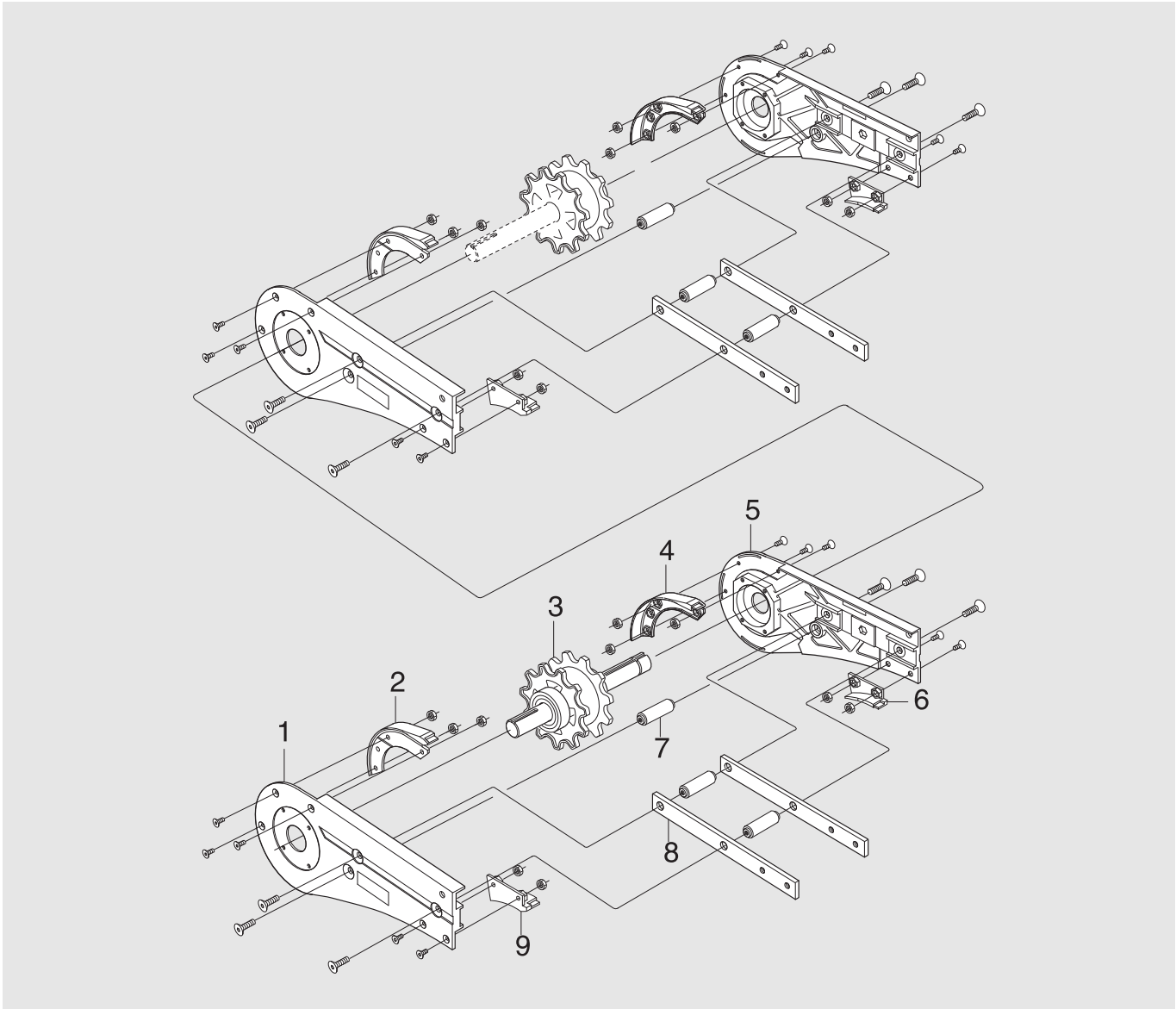


Item	Description	Part No	Qty	Comments	Recommended Spare parts
1	Basic unit	XKEB 0 LDU106	1	See next page for details	
	Basic unit	XKEB 0 RDU106	1	See next page for details	
2	Slip clutch Ø25 mm	5053981	1	ISO	
	-Slip clutch, Spare parts kit	5056817	1	ISO, incl. cup spring, ball, chain wheel.	X
	Slip clutch Ø25 mm	5054000	1	ANSI	
	-Slip clutch, Spare parts kit	5056820	1	ANSI, incl. cup spring, ball, chain wheel.	X
3	Transmission cover	3925068	1		
4	Motor bracket R	3925025	1		
5	Motor bracket L	3925024	1		
6*	Slack protection	(3925589)	1	See kit below	
7	Adjusting block	3926279	1		
8*	Distance screw M6	(3904862)	5	See kit below	
9*	Slack protection	(3925590)	1	See kit below	
10*	Distance screw M8	(3904855)	2	See kit below	
11	Adapter plate	3926310	1	c/c 106	
12	Distance	3925325	1		
13	Thin parallel key	8x7-63	1	DIN 6885A h9	
*) 6+9	Slack protection kit	5111650	1	LH+RH	
*) 8	Distance screw kit	5111600	1	Kit contains 10 pcs	
*) 10	Distance screw kit	5111599	1	Kit contains 10 pcs	

* c/c 106 mm

Double drive unit

Basic unit – XKEB 0 LDU/RDU106*

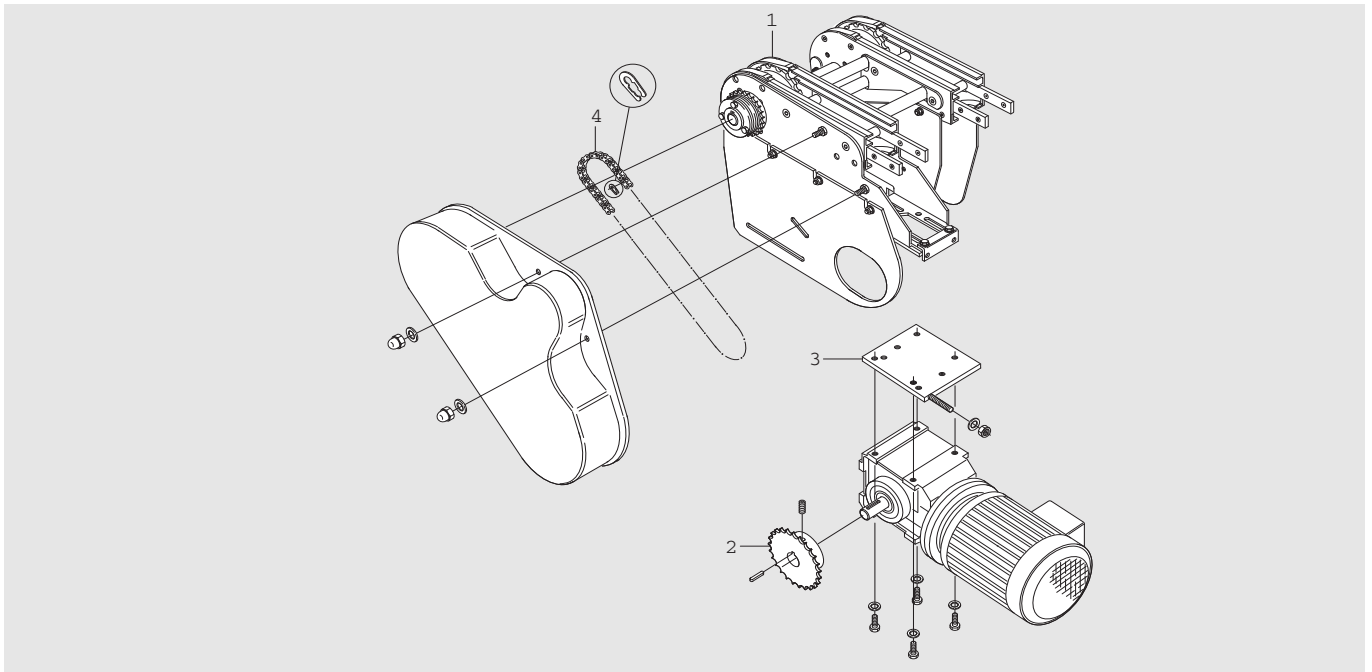


Item	Description	Part No	Qty	Comments	Recommended Spare parts
1*	Side plate L	(3920210)	2	See kit below	
2,4	Spare parts kit Steering guide	5051421	2	Marked A, B and C, D	X
3	Drive wheel kit	3926299	1	c/c 106/150–350	X
5*	Side plate R	(3920209)	2	See kit below	
6*	Guide L	(3924764)	2	See kit below	
7	Spacer	3924989	6		
8	Connecting strip	3921123	4		
9*	Guide R	(3924763)	2	See kit below	
*) 1+5	Side plate kit	5111651	1	LH+RH	
*) 6+9	Spare parts kit Guide	5111652	2	LH+RH	X

Double drive unit (c/c 150-350 mm)

Complete unit – XKEB_LD/RD/LAD/RAD-*

For SEW S37 gearmotor



Item	Description	Part No	Qty	Comments	Recommended Spare parts
1	0-unit (left-hand version)	XKEB 0 LD/LAD-	1	See next page for details	
	0-unit (right-hand version)	XKEB 0 RD/RAD-	1	See next page for details	
2	Sprocket wheel 1/2" including grub screw		1	See table below	X
3	Adapter plate including bolts and washers	3924197	1	For SEW S37 gearmotor	
	Adapter plate	3924455	1	Blind adapter plate	
4	Transmission chain 1/2" including connecting link	3921638	1	ISO/R- 1967- 08B- 1 (ISO)	X
	Transmission chain 1/2" including connecting link	5044948	1	ISO/R- 1967- 08A- 1 (ANSI)	X

* The dash (-) indicates a customer specified c/c distance in the range 150 mm to 350 mm.

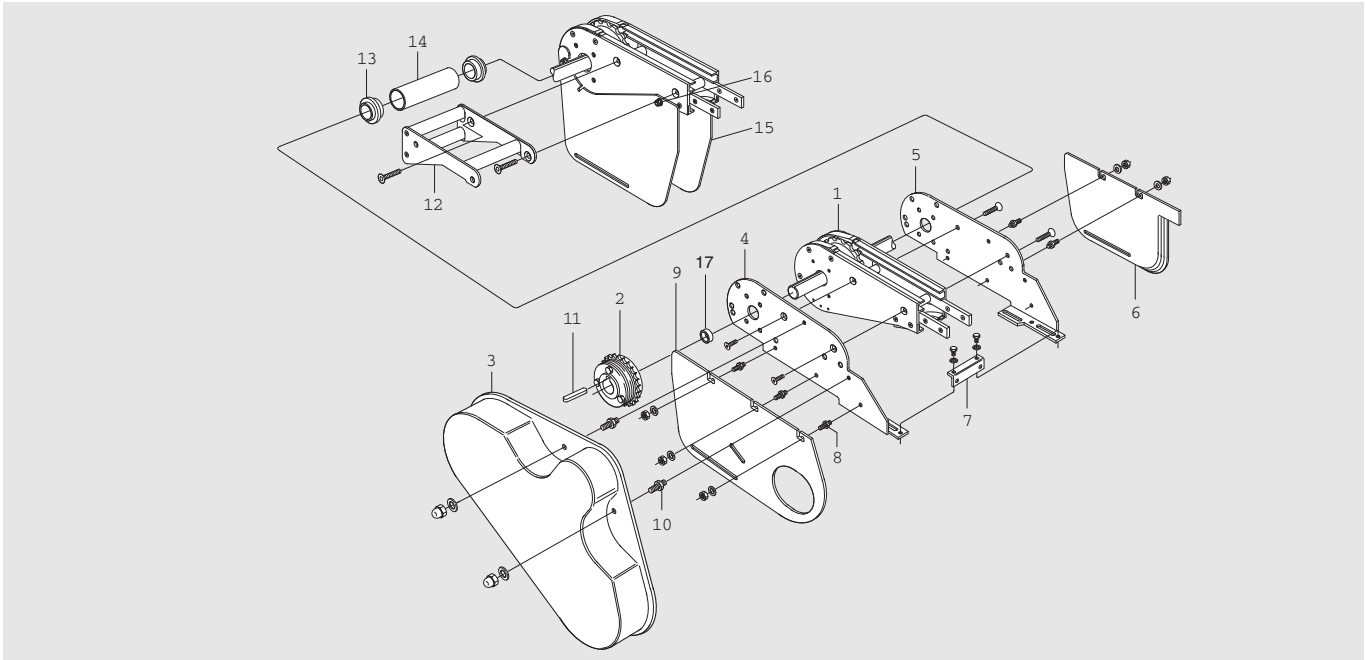
Important

Items 2-4 must be ordered separately when ordering a 0-unit (item 1). The sprocket wheel (item 2) should be specified in accordance with the following table:

Sprocket wheel 1/2"	Part No (SEW)
z ₁ =19	3924438
z ₁ =21	3924439
z ₁ =23	3924440
z ₁ =25	3921258
z ₁ =15 ANSI	5044935
z ₁ =17 ANSI	5044936
z ₁ =19 ANSI	5044937
z ₁ =21 ANSI	5044938
z ₁ =23 ANSI	5044939
z ₁ =25 ANSI	5044940

Double drive unit (c/c 150-350 mm)

0-unit – XKEB 0 LD/RD/LAD/RAD-*

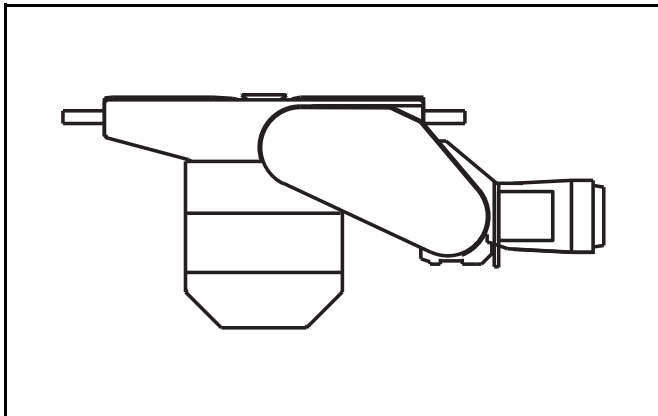


Item	Description	Part No	Qty	Comments	Recommended Spare parts
1	Basic unit	XKEB 0 HLDU-	1	See Page 14 for details	
	Basic unit	XKEB 0 HRDU-	1	See Page 14 for details	
2	Slip clutch Ø25 mm	5053981	1	ISO	
	-Slip clutch, Spare parts kit	5056817	1	ISO, incl. cup spring, ball, chain wheel.	X
	Slip clutch Ø25 mm	5054000	1	ANSI	
	-Slip clutch, Spare parts kit	5056820	1	ANSI, incl. cup spring, ball, chain wheel.	X
3	Transmission cover	3925068	1		
4	Motor bracket	3926361	2		
5	Motor bracket	3926360	2		
6*	Slack protection	(3925589)	1	See kit below	
7	Adjusting block	3925469	1		
8*	Distance screw M6	(3904862)	9	See kit below	
9*	Slack protection	(3925590)	1	See kit below	
10*	Distance screw M8	(3904855)	2	See kit below	
11	Thin parallel key	8x7-63	1	DIN 6885A h9	
12	Fastener yoke	5046985	1		
13	Bushing	5044695	2		
14	Sleeve	5046977	1		
15	Slack protection	5047050	2		
16	Distance screw	3925718	2		
17	Distance	3925325	1		
*) 6+9	Slack protection kit	5111650	1	LH+RH	
*) 8	Distance screw kit	5111600	1	Kit contains 10 pcs	
*) 10	Distance screw kit	5111599	1	Kit contains 10 pcs	

* The dash (-) indicates a customer specified c/c distance in the range 150 mm to 350 mm.



Catenary drive unit - XK



Revision list

Document designation	Date	Type of revision	Entered by
XK003-E1	98-10-14	New version	Enator Inforum
XK003-E2	00-05-15	P4-5 Part No changed	Aerotech Telub
XK003-E3	08-05-06	P. 3+7 item 16 Part No changed	BS
XK003-E4	08-10-23	Spare part kits added	JE
XK003-E5	09-03-19		JE
XK003-E6	10-02-16	Slip clutch SPkit, deleted	JE
XK003-E7	10-06-23	Added new col.	JE

