



FlexLink[®]

Control box

5057420-02



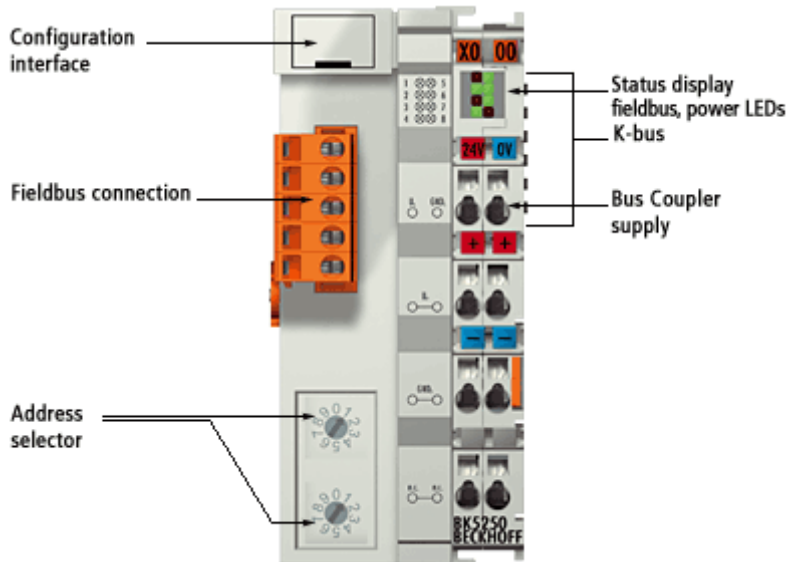
Electrical supply

Main

| | |
|------------------------|----------------|
| Voltage | 460-480 V (AC) |
| Phases | 3 |
| Frequency | 60 Hz |
| Current | 4 A |
| Short-circuit capacity | 200kA |

Controls

| | |
|--------------------|---|
| Additional cables | Fieldbus DeviceNet + 24 V (DC) power supply |
| Fieldbus interface | Beckhoff, BK5250 www.beckhoff.com |



Drawings

| | | | | | | | | |
|---|--------------|---|---|---|---|--|---|------------------------------------|
| | 1 | 2 | 3 | 4 | 5 | 6 | 7 | 8 |
| A | Index 100 | | Layouts 101 102 | | | Circuit diagrams 301 310 311 312 325 400 401 440 | | External connections 510 511 |
| B | | | Cabinet builder layouts 111 112 113 114 115 116 | | | | | |
| C | | | | | | | | |
| D | | | | | | | | |
| E | | | | | | | | |

| | | | |
|---|----------|-------------|----------|
| Nr. | Date | Sign | Change |
| | | | |
|  | | | |
| Department | FlexLink | | |
| Customer | - | | |
| Drawn | FJN | Project No. | 7220283 |
| Appr. | | Date | 05-03-04 |
| Drawing No. | | 5057420 | |
| Sheet | 100 | Next | 101 |

| | | | | | | | |
|---|---|---|---|---|---|---|---|
| 1 | 2 | 3 | 4 | 5 | 6 | 7 | 8 |
| A | B | C | D | E | F | | |

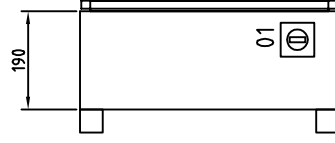
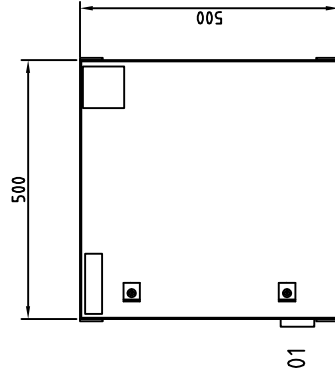
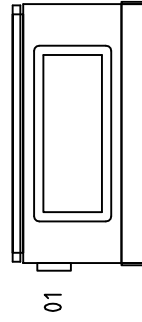
01. Q30102

- 10. F31002
- 11. F31003
- 12. F31004
- 13. F31005
- 14. F31006
- 15. F31007
- 16. X110
- 17. X120
- 18. X31006

- 20. T31103
- 21. T31105
- 22. Q31103
- 23. Q31105
- 24. K31104
- 25. K31106
- 26. X31103
- 27. X31104
- 28. F31104
- 29. F31106

- 31. K31203
- 32. K31204

- 40. A32501
- 41. A40001
- 42. A40101
- 43. A44001



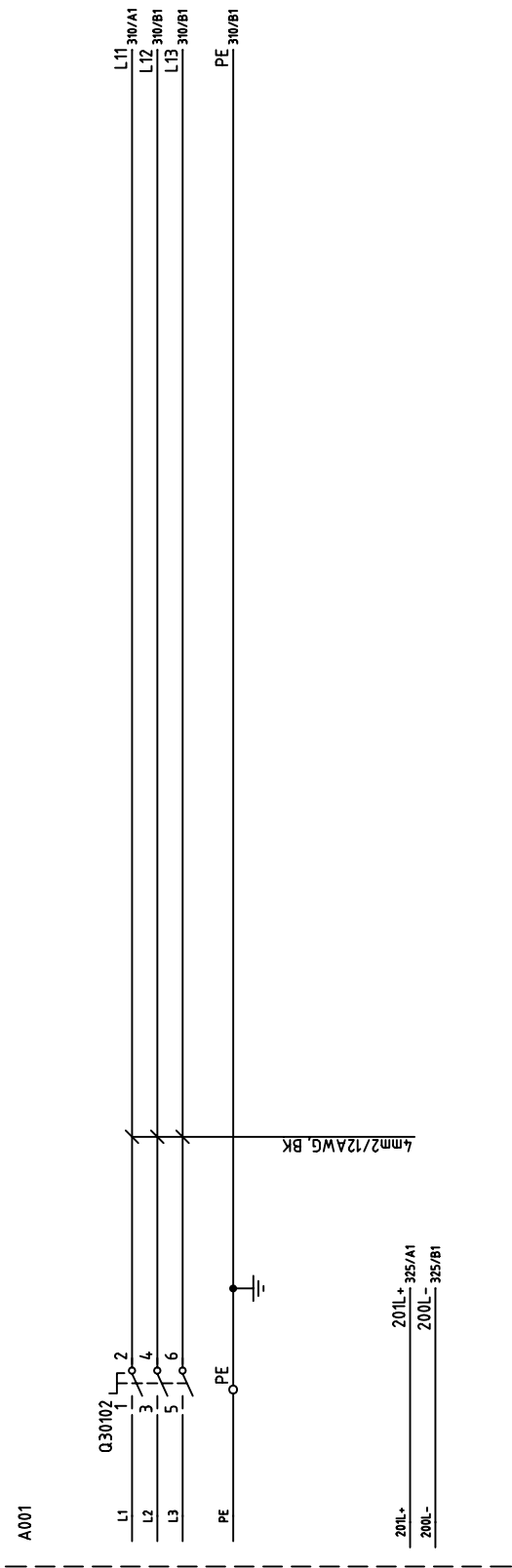
| Nr. | Date | Sign | Change |
|-----|------|------|--------|
| | | | |
| | | | |
| | | | |



| | |
|-------------------------------|----------|
| Department FlexLink | |
| Customer | - |
| Drawn | FJN |
| Project No. | 7220283 |
| Date | 05-03-02 |

| | |
|-------------------------------|-----|
| Drawing No. 5057420 | |
| Sheet | 101 |
| Next | 102 |

Demna rītning Ēr Flexlink ēgdoms. Šķyddad enigt gēllande log.
 This drawing is the property of Flexlink. Protected in
 accordance with prevailing law.



Where nothing else is said: 0.75mm²/22AWG

| Identification of wiring | |
|--|------------------|
| Earth conductors | GREEN-AND-YELLOW |
| Neutral conductors | BLUE |
| AC or DC power conductors | BLACK |
| AC control circuits | RED |
| DC control circuits | BLUE |
| Interlocking control circuits supplied from external power | ORANGE |

| Nr. | Date | Sign | Change |
|-----|------|------|--------|
| | | | |
| | | | |
| | | | |

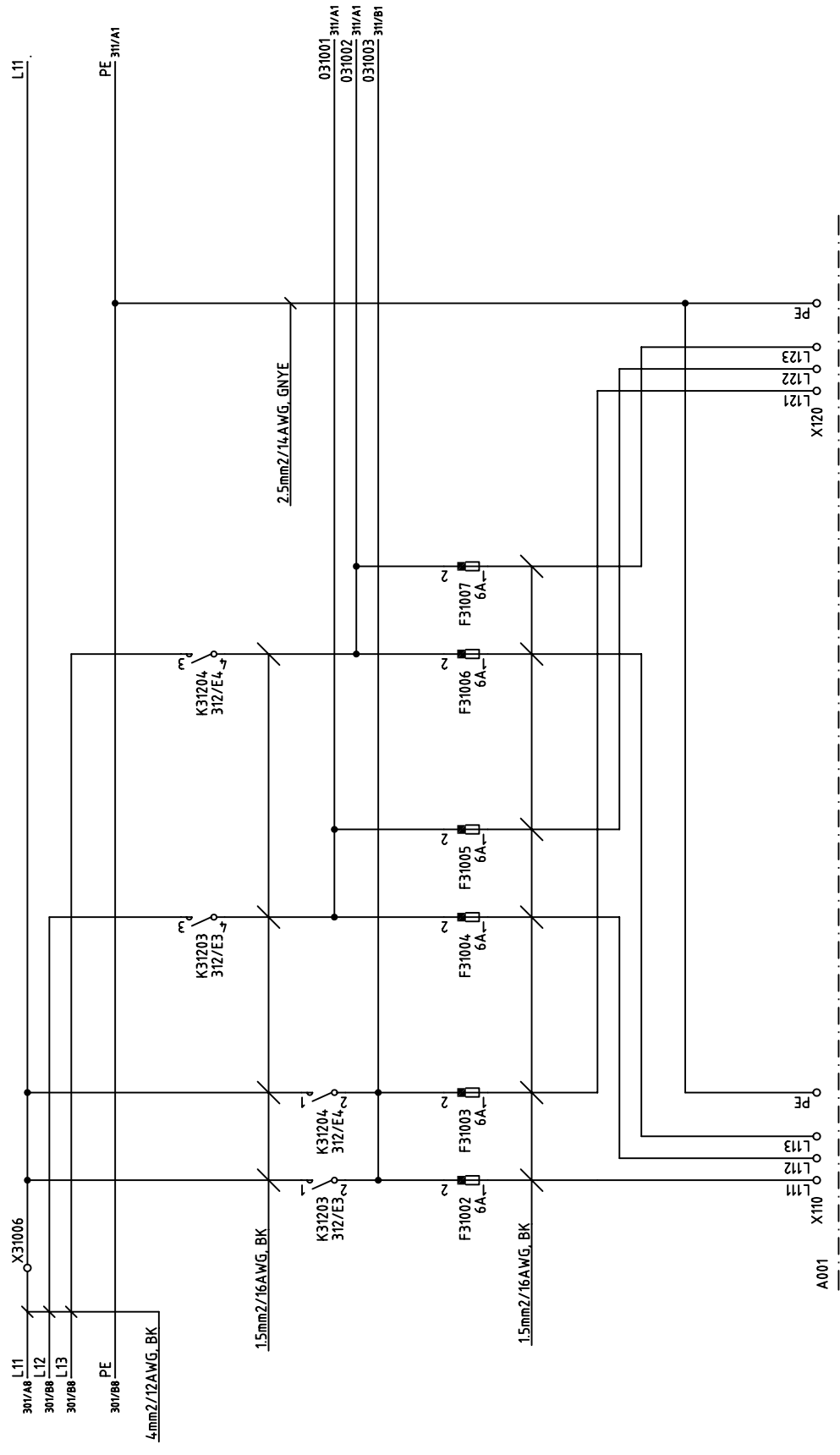


| | |
|-------------|-----------------|
| Department | FlexLink |
| Customer | - |
| Drawn | FJN |
| Project No. | 7220283 |
| Date | 05-03-07 |
| Name | Incoming supply |

| | |
|-------------|---------|
| Drawing No. | 5057420 |
| Sheet | 301 |
| Next | 310 |

1 2 3 4 5 6 7 8

A B C D E F

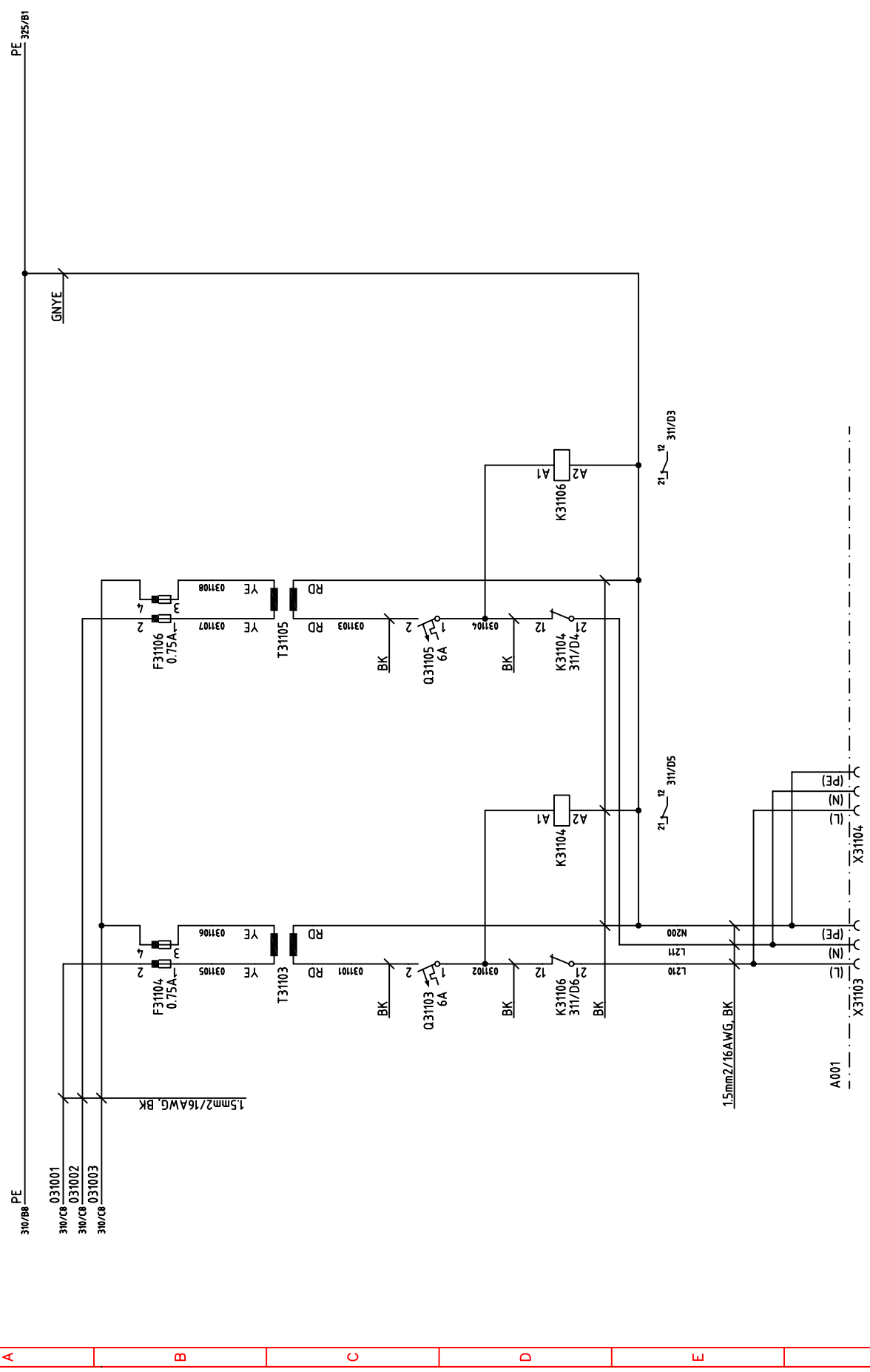


| Nr. | Date | Sign | Change |
|-----|------|------|--------|
| | | | |
| | | | |
| | | | |



| | |
|-------------|-------------|
| Department | FlexLink |
| Customer | - |
| Drawn | FJN |
| Project No. | 7220283 |
| Date | 05-03-08 |
| Name | Zone supply |
| Appr. | - |

| | |
|-------------|---------|
| Drawing No. | 5057420 |
| Sheet | 310 |
| Next | 311 |



310/88 PE PE 325/81

031001
310/C8 031002
310/C8 031003
310/C8

15mm²/16AWG BK

GNYE

F31104 0.75A
F31106 0.75A

031104
031105
031106

031103
031104
031105
031106

031103 6A
031104
031105

K31106 311/D6
K31104 311/D4

K31104 A1
K31106 A1

1.5mm²/16AWG BK

L210
L211
N200

311/D5
311/D3

A001
X31103
X31104

| Nr. | Date | Sign | Change |
|-----|------|------|--------|
| | | | |
| | | | |
| | | | |



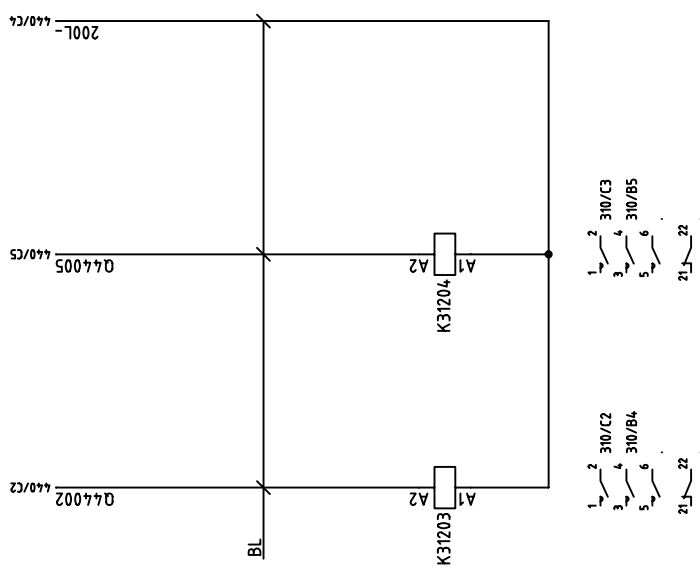
| | |
|-------------|---------------|
| Department | FlexLink |
| Customer | - |
| Drawn | FJN |
| Project No. | 7220283 |
| Date | 05-07-15 |
| Name | Branch supply |
| Appr. | - |

| | |
|-------------|---------|
| Drawing No. | 5057420 |
| Sheet | 311 |
| Next | 312 |

Denna ritning är Flexlinks egendom. Skyddad enligt gällande lag.
 This drawing is the property of FlexLink. Protected in accordance with prevailing law.

1 2 3 4 5 6 7 8

A B C D E F

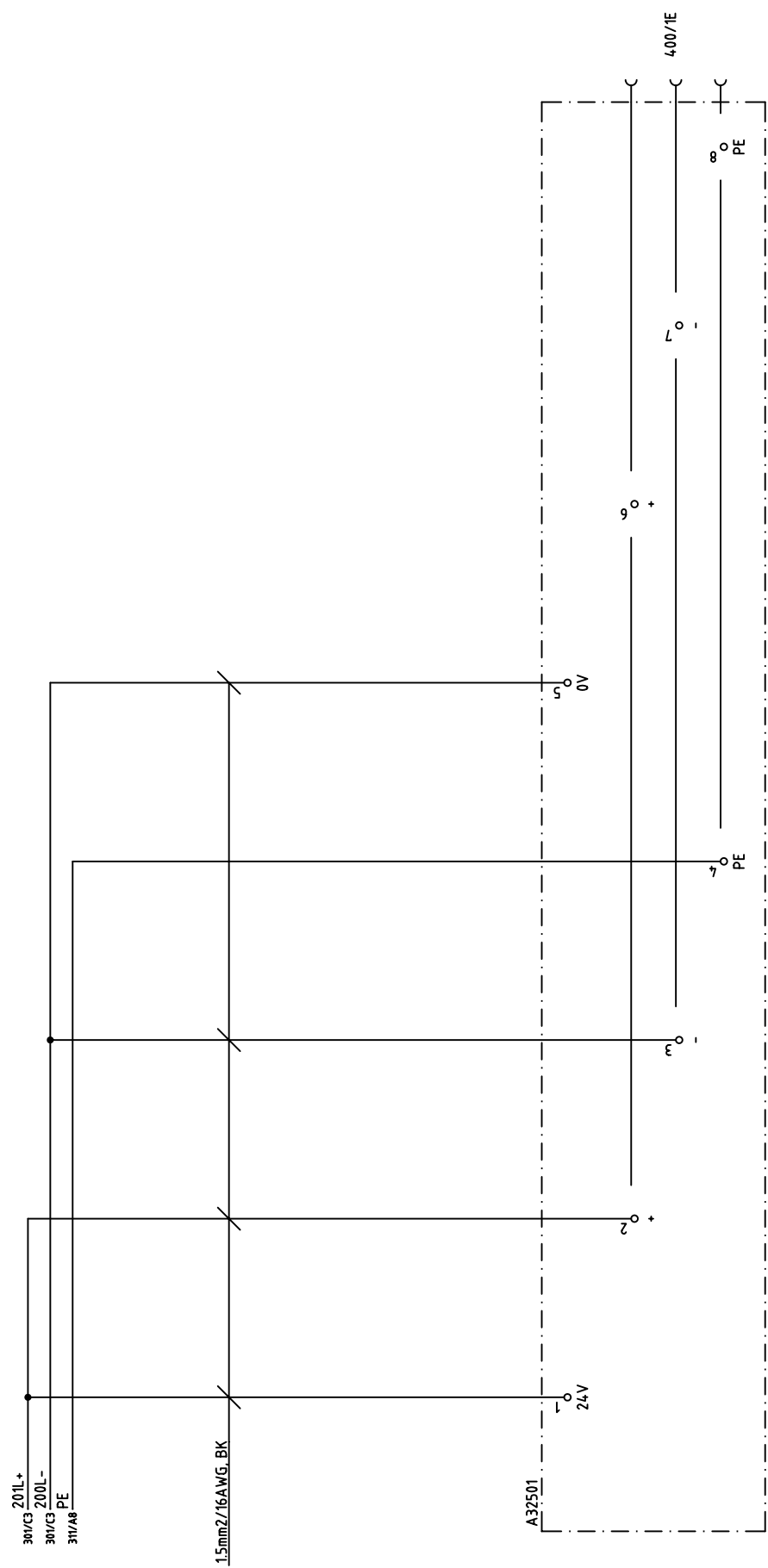


Denna ritning är Flexlink egendom. Skyddad enligt gällande lag.
 This drawing is the property of Flexlink. Protected in accordance with prevailing law.

| | | | | | | | | | |
|-----|------|------|--------|---------------------|-------------------------|-------------------------------|--------------------|----------------------------------|--|
| Nr. | Date | Sign | Change | FlexLink® | | Department FlexLink | | Drawing No. 5057420 | |
| | | | | Customer - | | Project No. 7220283 | | Name Contactor control | |
| | | | | Drawn FJN | Date 05-03-08 | Sheet 312 | Next 325 | | |
| | | | | Appr. | | | | | |

1 2 3 4 5 6 7 8

A B C D E F



Denna ritning är FlexLink egendom. Skyddad enligt gällande lag.
 This drawing is the property of FlexLink. Protected in accordance with prevailing law.

| Nr. | Date | Sign | Change |
|-----|------|------|--------|
| | | | |
| | | | |
| | | | |

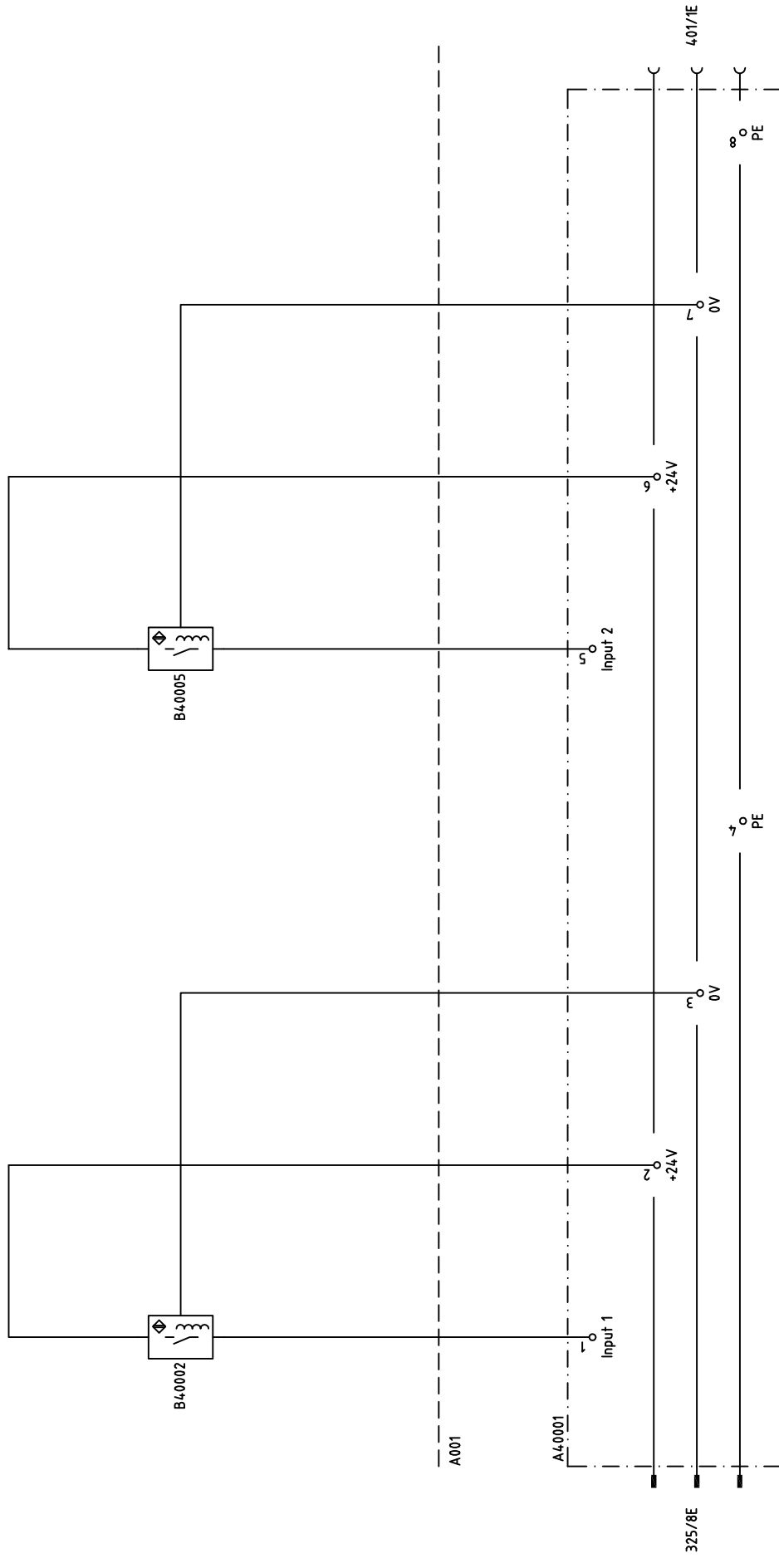


| | |
|---------------------|---------------------|
| Department FlexLink | |
| Customer - | |
| Drawn FJN | Project No. 7220283 |
| Appr. | Date 05-03-25 |

| | |
|---------------------|----------|
| Drawing No. 5057420 | |
| Sheet 325 | Next 400 |
| Name Communication | |

1 2 3 4 5 6 7 8

A B C D E



Reference
sensor

Mode 1
sensor

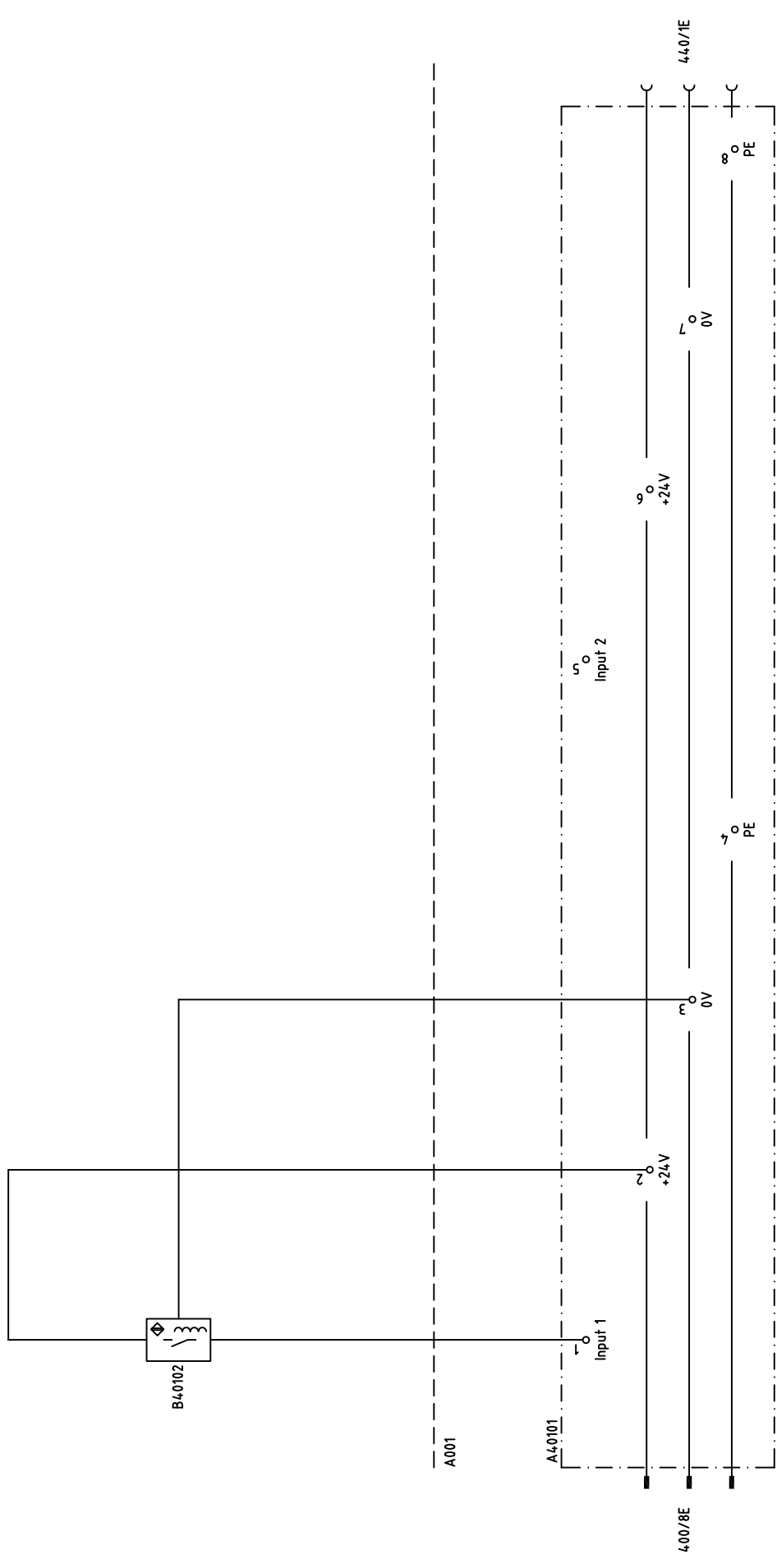
Demna rītning Īr Flexlink eģenoms. Šķīdums atbilst gēlstanda prasībām.
 This drawing is the property of Flexlink. Protected in accordance with prevailing law.

| Nr. | Date | Sign | Change |
|-----|------|------|--------|
| | | | |
| | | | |
| | | | |



| | |
|---------------------|----------------------|
| Department FlexLink | |
| Customer | - |
| Drawn FJN | Project No. 72200283 |
| Appr. | Date 05-03-25 |
| Name Inputs | |

| | |
|---------------------|----------|
| Drawing No. 5057420 | |
| Sheet 400 | Next 401 |



Mode 2
sensor

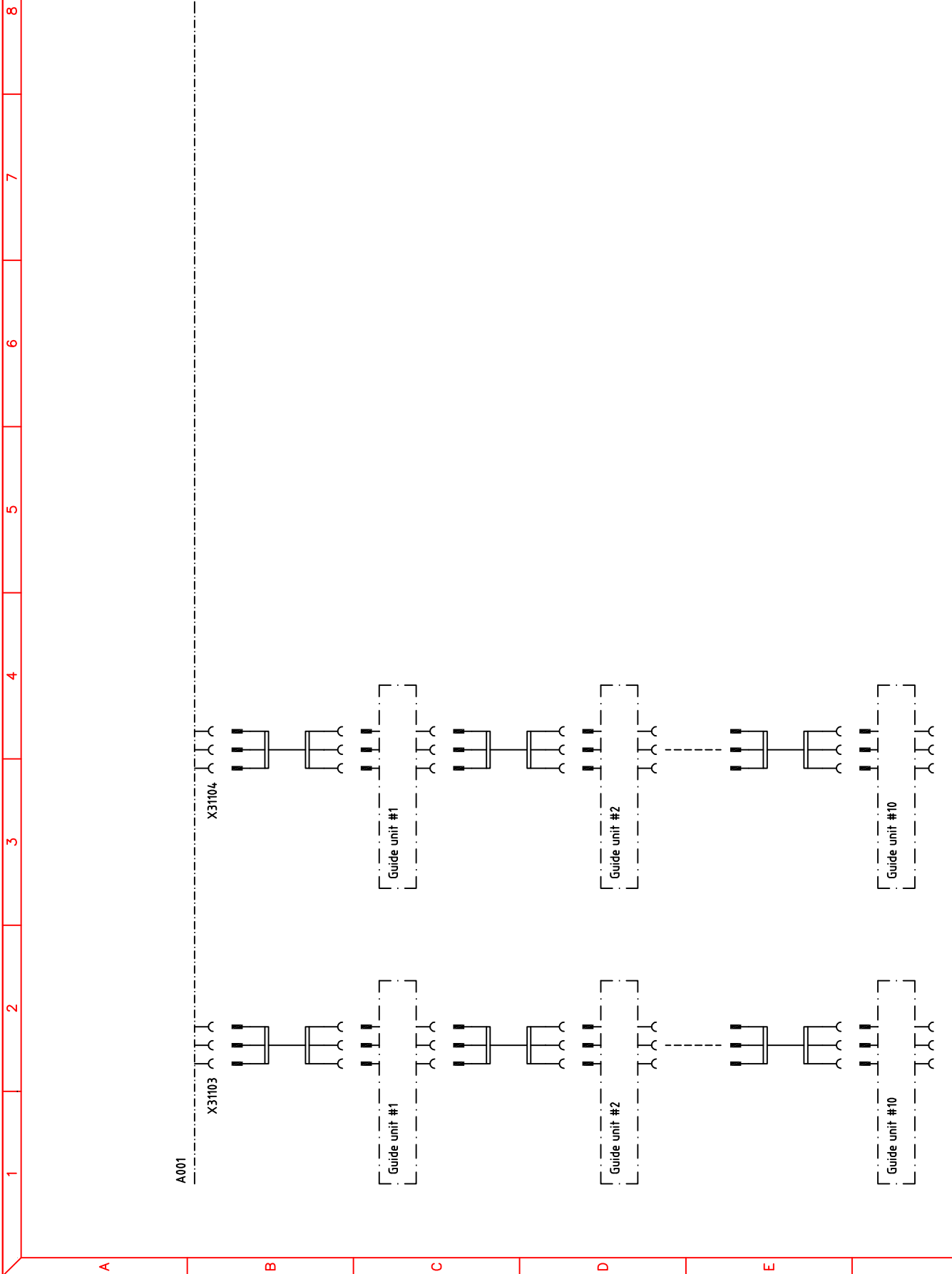
Spare

| Nr. | Date | Sign | Change |
|-----|------|------|--------|
| | | | |
| | | | |
| | | | |



| | |
|-------------|----------|
| Department | FlexLink |
| Customer | - |
| Drawn | FJN |
| Project No. | 7220283 |
| Date | 05-03-25 |
| Appr. | - |

| | |
|-------------|---------|
| Drawing No. | 5057420 |
| Sheet | 401 |
| Next | 440 |



Denna ritning är FlexLink egendom. Skyddad enligt gällande lag.
 This drawing is the property of FlexLink. Protected in accordance with prevailing law.

| Nr. | Date | Sign | Change |
|-----|------|------|--------|
| | | | |
| | | | |
| | | | |



| | | | |
|------------|-----|-------------|----------|
| Department | | FlexLink | |
| Customer | | - | |
| Drawn | FJN | Project No. | 7220283 |
| Appr. | | Date | 04-12-09 |

| | | |
|-------------|-----|---------|
| Drawing No. | | 5057420 |
| Sheet | 511 | Next |