



**FlexLink®**

# **Junction box**

**5057479-02**



## Electrical supply

Main (Controlled by Control box)

Voltage	460-480 V (AC)
Phases	3
Frequency	60 Hz
Current	0,5 A
Short-circuit capacity	200kA

## Drawings



8

7

6

5

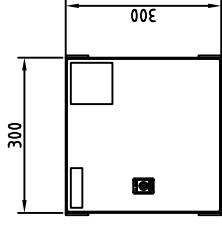
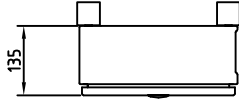
4

3

2

1

- 01. X30101
- 02. F30104
- 03. F30106
- 04. T30103
- 05. T30106
- 06. Q30103
- 07. Q30105
- 08. K30104
- 09. K30106
- 10. X30103
- 11. X30104



Nr.	Date	Sign	Change	Department FlexLink	Drawing No. 5057479
				Customer	
				Drawn FJN	Name Layout, Exterior
				Project No. 7220283	
				Date 05-04-07	Sheet 101
					Next 102

8

7

6

5

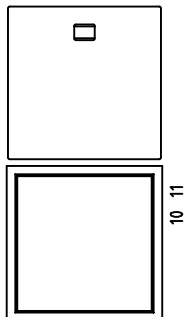
4

3

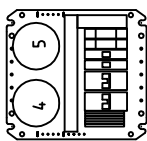
2

1

- 01. X30101
- 02. F30104
- 03. F30106
- 04. T30103
- 05. T30106
- 06. Q30103
- 07. Q30105
- 08. K30104
- 09. K30106
- 10. X30103
- 11. X30104



10 11



1 2 3 6 7 8 9



Department FlexLink

Drawing No.

5057479

Customer -  
Name Layout, Interior

Project No. 7220283

Date 05-04-07

Sheet 102

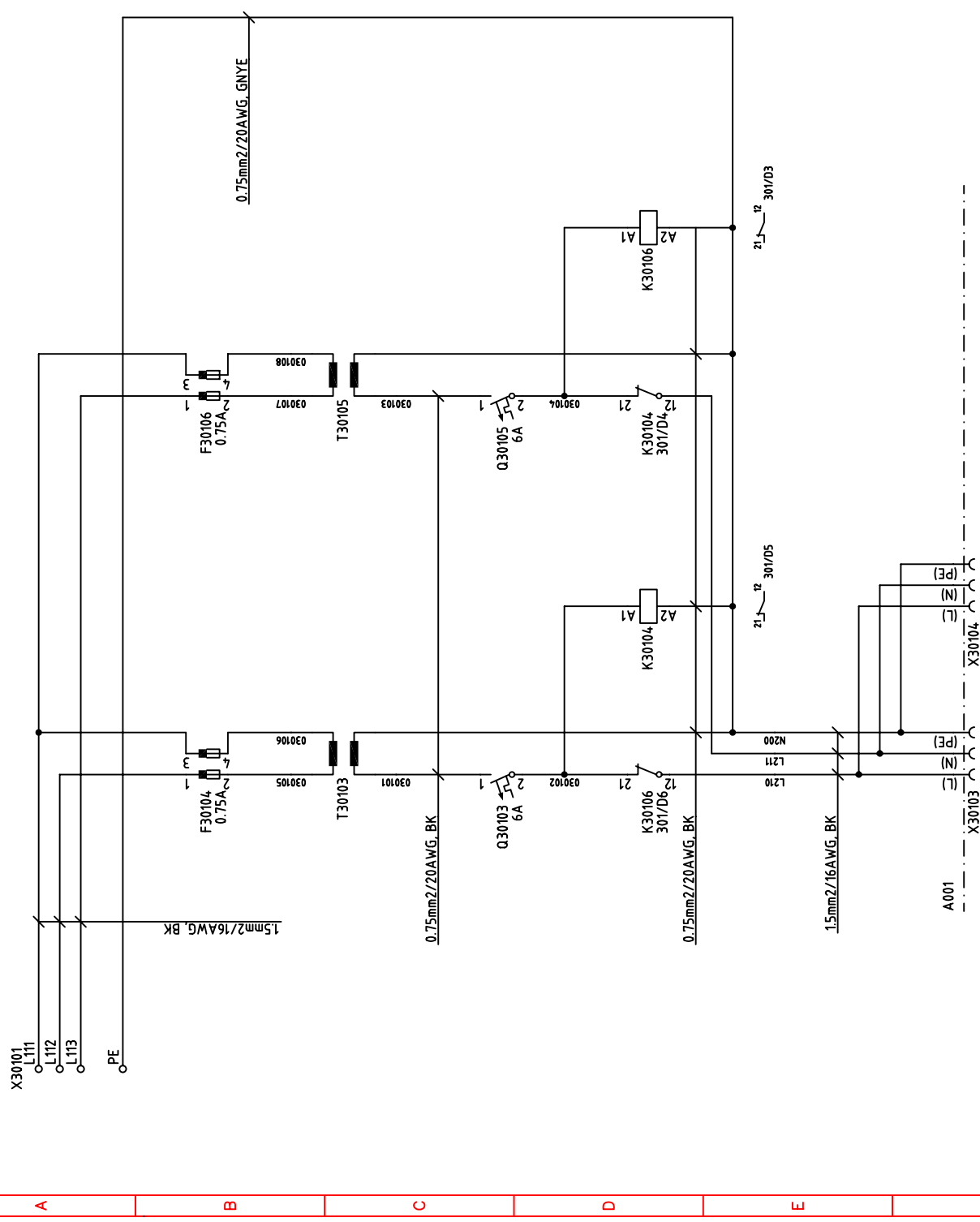
Next 111

Nr. Change

Sign

Date

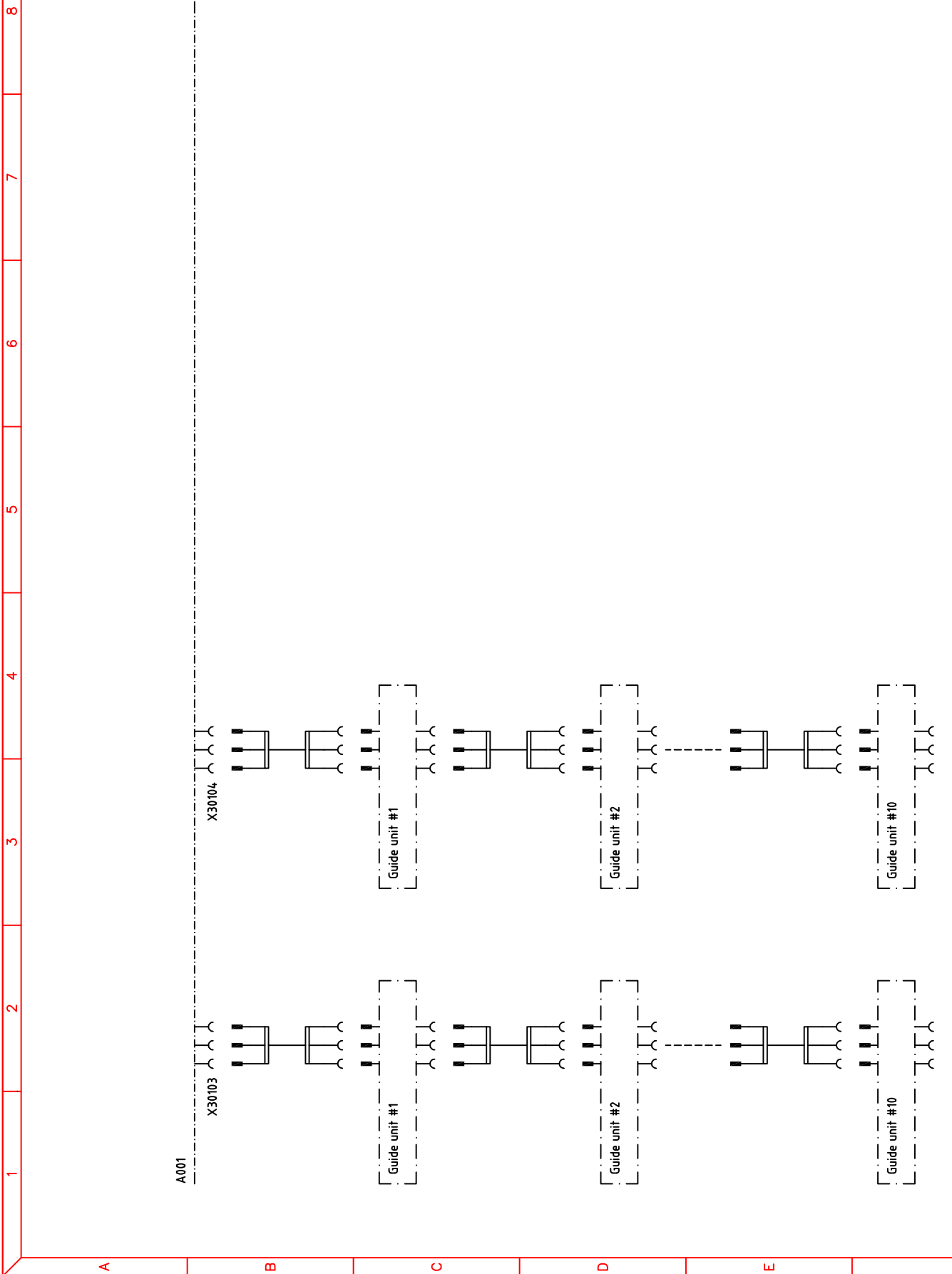
1 2 3 4 5 6 7 8



Denna ritning är Flexlink egendom. Skyddad enligt gällande lag.  
 This drawing is the property of Flexlink. Protected in accordance with prevailing law.

Nr.	Date	Sign	Change	Department FlexLink		Drawing No. 5057479	
				Customer -	Project No. 7220283	Name Branch supply	Sheet 301
				Drawn FJN	Date 05-03-08		Next 511
				Appr.			





Nr.	Date	Sign	Change



Department		FlexLink		Drawing No.	
Customer		-		5057479	
Drawn	FJN	Project No.	7220283	Name	Branch supply
Appr.		Date	04-12-09	Sheet	511
				Next	-