



FlexLink[®]

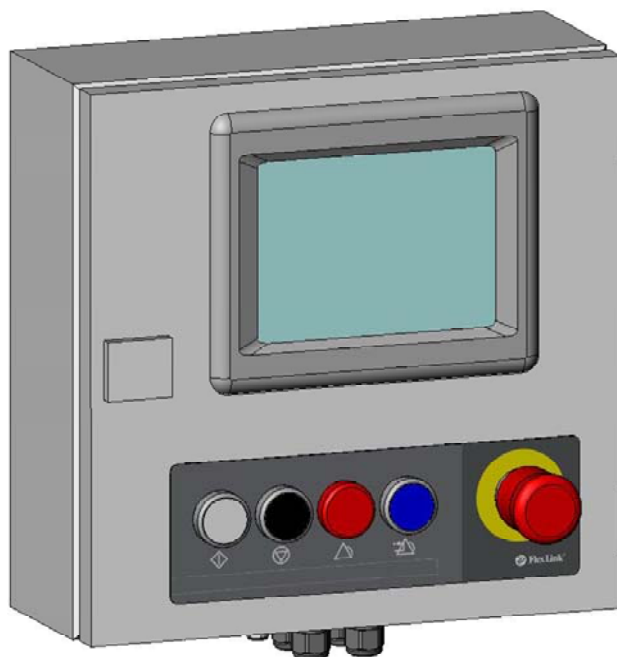
Maneuver box

5105207

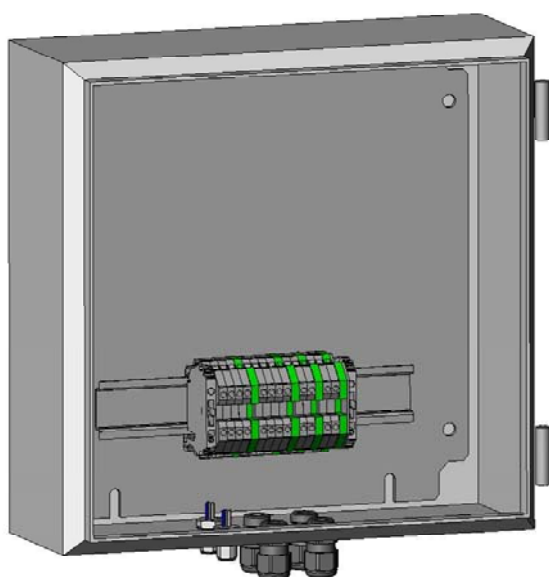
User documentation ver 1.0

Maneuver box

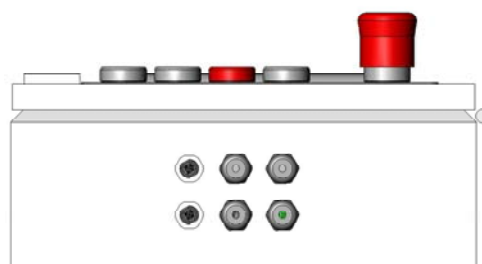
Views



Front view



Interior view



Bottom view

Maneuver box

Electrical supply

Required electrical supply integrated in communication interfaces.

Physical dimension

Height	330 mm
Width	300 mm
Depth	170 mm

Weight	10 kg
--------	-------

Distance between fixing holes = 250 mm (vertically and horizontally).

Maneuver box

Features

Maneuver unit

- Pushbutton Start, white lamp, NO-contact
- Pushbutton Stop, NC-contact
- Lamp Alarm, red lamp
- Pushbutton Reset, blue lamp, NO-contact
- Emergency switch, 2xNC-contacts

HMI

- Touch display
- 5.7"
- Colour
- Communication
 - Ethernet
 - RS-232
 - Modular communications interface

Maneuver box

Connections

Pushbutton communication

Connection method M12-connector, 5-pole, male,
A-code

Lamp communication

Connection method M12-connector, 5-pole, male,
A-code

Safety loop communication

Connection method Terminal

Enclosure throughput 2x Cable gland, M16

HMI

Powered by M12-connectors for pushbutton and lamp communication.

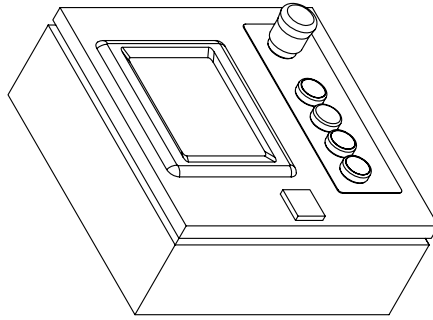
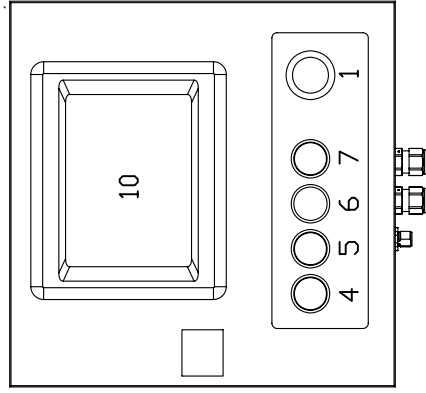
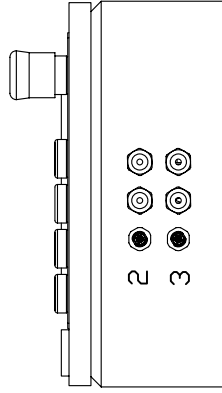
Spare parts list

Product: 5105207-01

Standard name	Des.	Manufacturer	Type	Order number	FlexLink ID
HMI	A325-1	Rockwell	2711P-T6C20D		5110736
Emergency switch	S340-1	Moeller	M22-PV/K01	216515	5110607
Contact element		Moeller	M22-K01	216378	5110632
Pushbutton	S360-1	Moeller	M22-DL-W	216922	5110609
Contact element + fixing		Moeller	M22-AK10	216504	5110613
LED element		Moeller	M22-LED-W	216557	5110629
Pushbutton	S360-2	Moeller	M22-D-S	216590	5110610
Contact element + fixing		Moeller	M22-AK01	216503	5110615
Lamp	H360-1	Moeller	M22-L-R	216772	5110612
Fixing adapter		Moeller	M22-A	216374	5057312
LED element		Moeller	M22-LED-R	216558	5110630
Pushbutton	S360-3	Moeller	M22-DL-B	216931	5110611
Contact element + fixing		Moeller	M22-AK10	216504	5110613
LED element		Moeller	M22-LED-B	218057	5110631

- 00. X340-1
- 01. S340-1
- 02. X360-1
- 03. X360-2
- 04. S360-1
- 05. S360-2
- 06. H360-1
- 07. S360-3

10. A326-1



FlexLink

Document type

Project number 7220367

By Date

Drawn

Check

Drawing number

5105207-01

Maneuver box
Exterior

Function Location

Sheets 012

Sheet 101

7

8

8

8

8

8

8

8

8

8

8

8

8

8

8

8

8

8

8

8

8

8

8

8

8

8

8

8

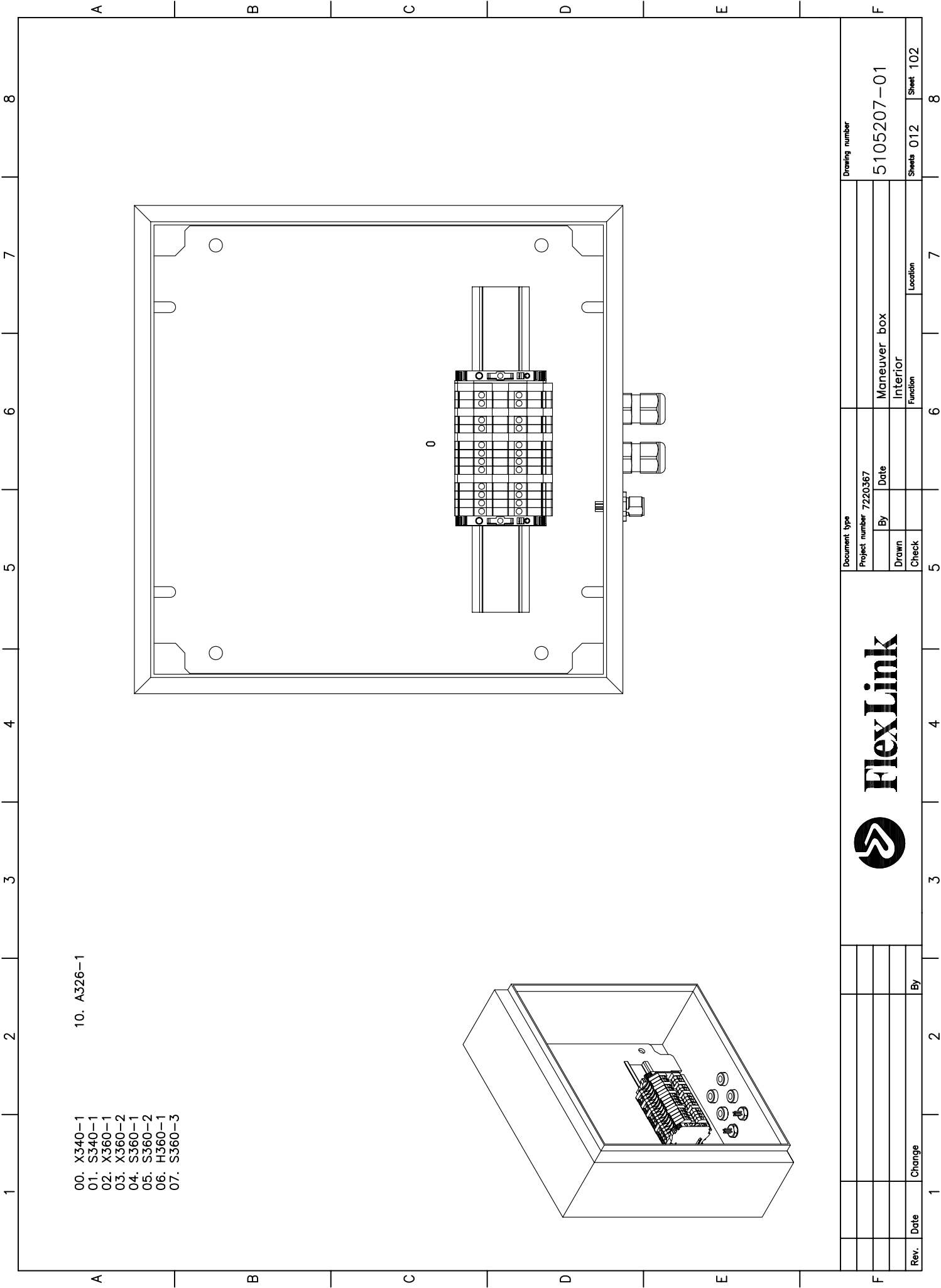
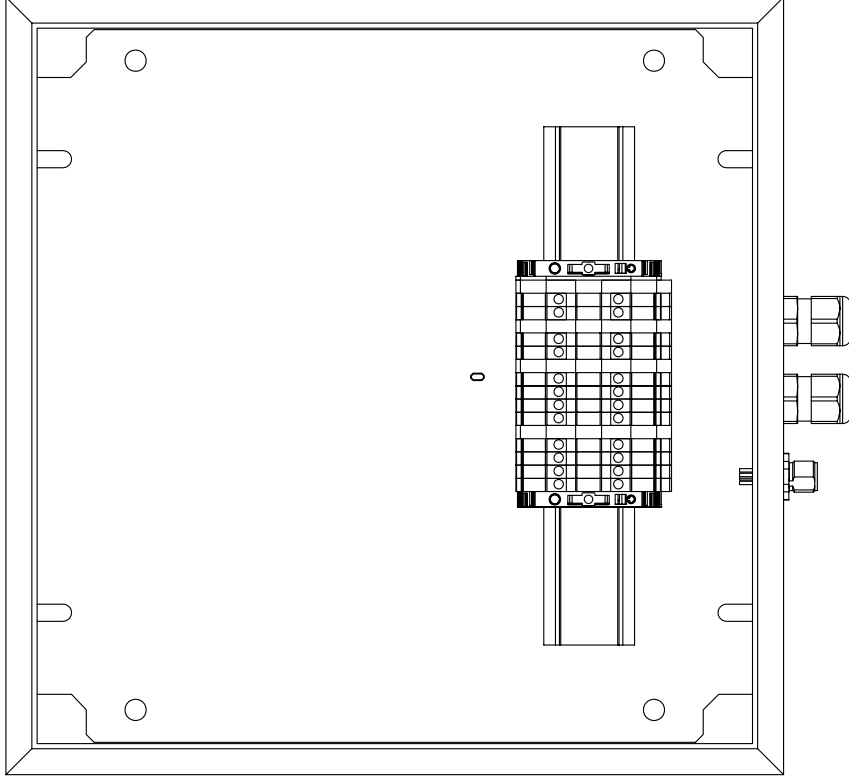
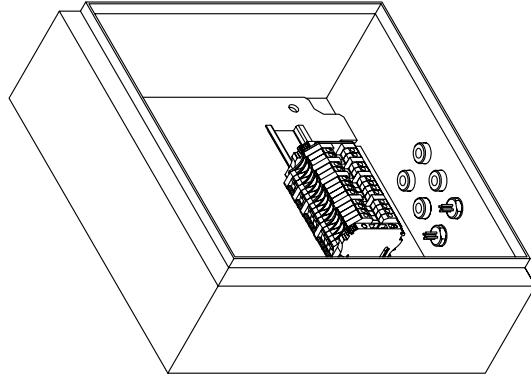
8

8

8

- 00. X340-1
- 01. S340-1
- 02. X360-1
- 03. X360-2
- 04. S360-1
- 05. S360-2
- 06. H360-1
- 07. S360-3

10. A326-1



FlexLink

Document type	
Project number	7220367
By	Date
Drawn	
Check	

Drawing number	
5105207-01	
Function	Maneuver box Interior
Location	
Sheets	012
Sheet	102

Rev.	Date	Change	By
1			

A B C D E F

8

7

6

5

4

3

2

1

A B C D E F

F

8

7

6

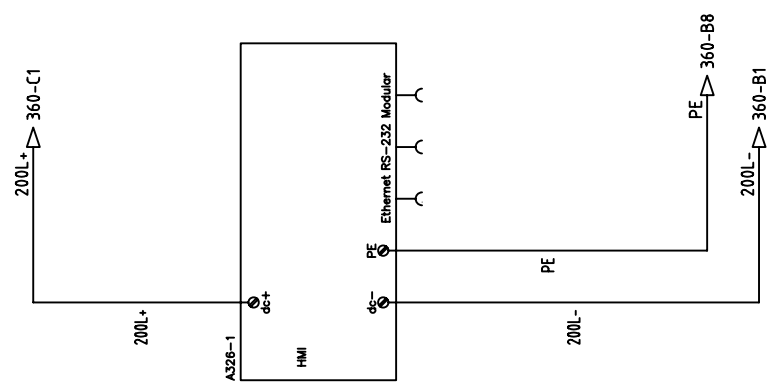
5

4

3

2

1



Document type		Project number 7220367		Drawing number	
By	Date	Maneuver box		5105207-01	
Drawn		HMI		Sheets 012	
Check		Function		Sheet 326	
		Location		8	



Rev.	Date	Change	By

A B C D E F

8

7

6

5

4

3

2

1

A B C D E F

F

8

7

6

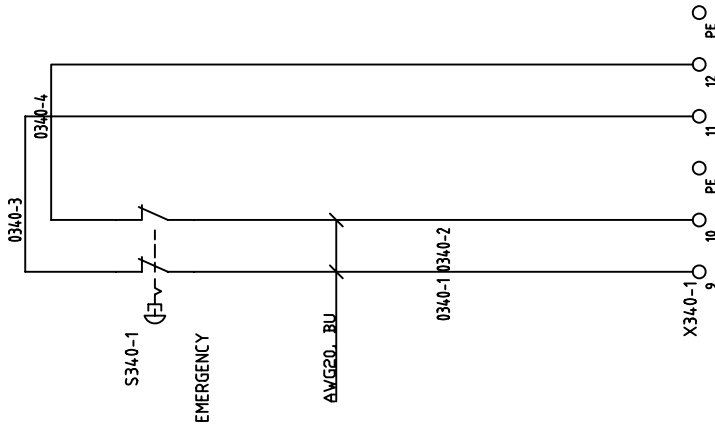
5

4

3

2

1



Document type		Project number 720367		Drawing number	
By	Date	Maneuver box		5105207-01	
Drawn		Safety loop		Sheets 012	
Check		Function	Location	Sheet 340	
Rev.	Date	Change	By		



