



End drive unit - XT

Contents

End drive unit, direct drive with torque arm

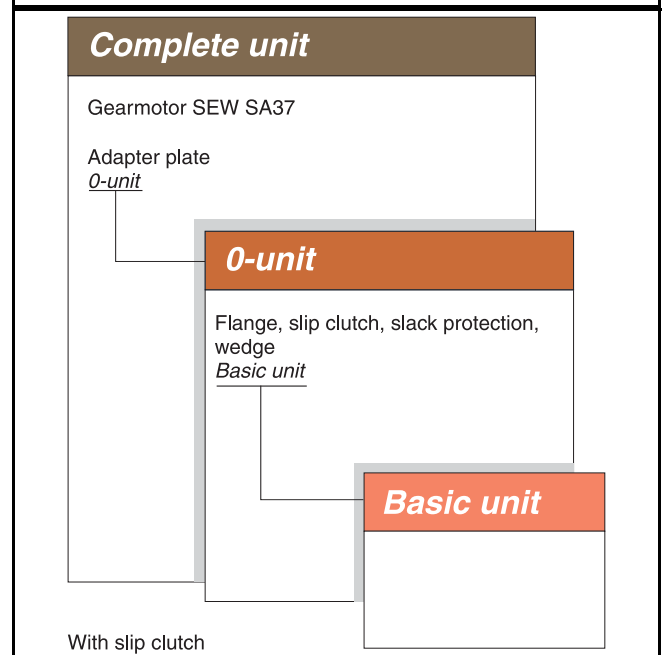
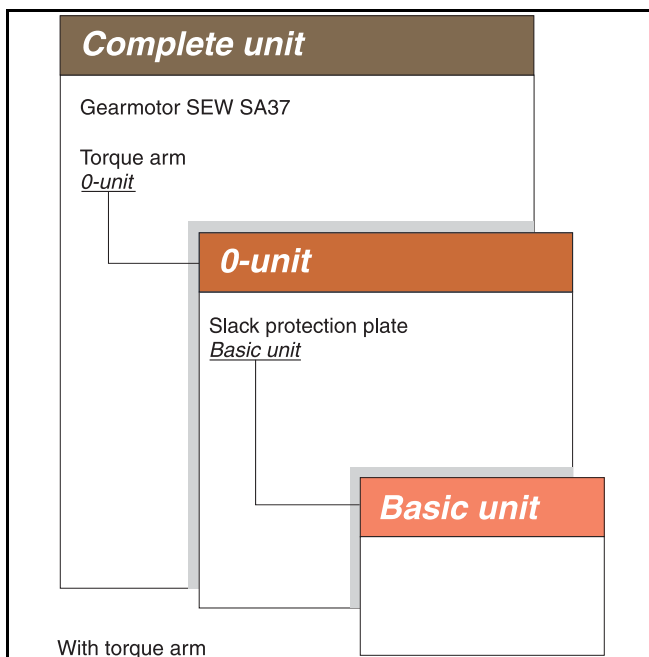
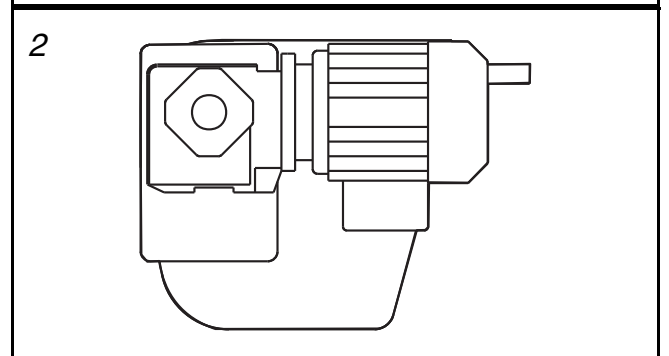
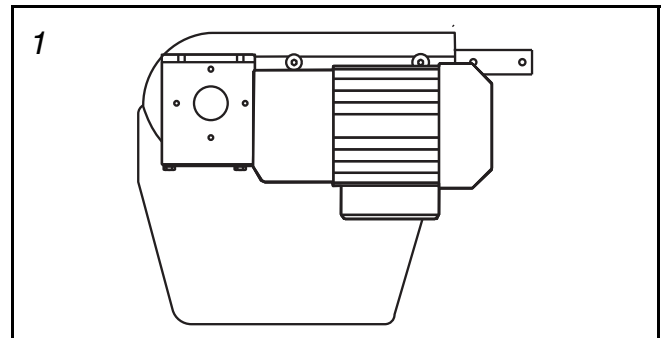
Complete unit – XTEB _LNPD/RNPD-*	2
0-unit – XTEB 0 LNPD/RNPD-*	3
Basic unit – XTEB 0 LNUD/RNUD-*	4

End drive unit, direct drive with slip clutch

Complete unit – XTEB _LPD/RPD-*	5
0-unit – XTEB 0 LPD/RPD-*	6
Basic unit – XTEB LUD/RUD-*	7

Revision list

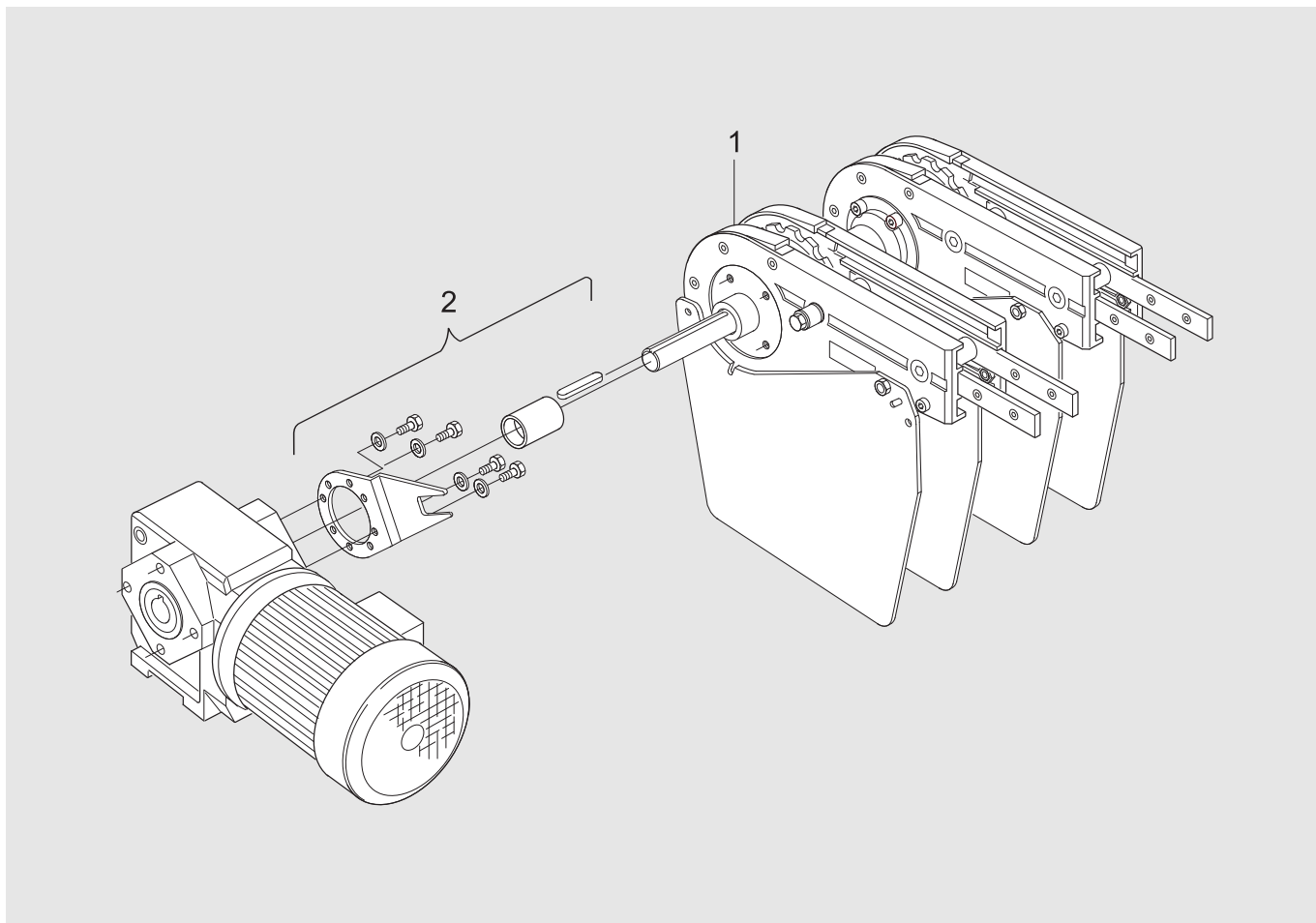
Doc ID	Date	Type of revision	Entered by
XT001-E1	98-10-14	New version	Enator Inforum
XT001-E2	08-11-04	Spare part kits added	JE
XT001-E3	09-03-19		JE



End drive unit, direct drive with torque arm

Complete unit – XTEB _LNP/D/RNP/D/LNAP/D/RNAP/D-*

For SEW SA37 gearmotor

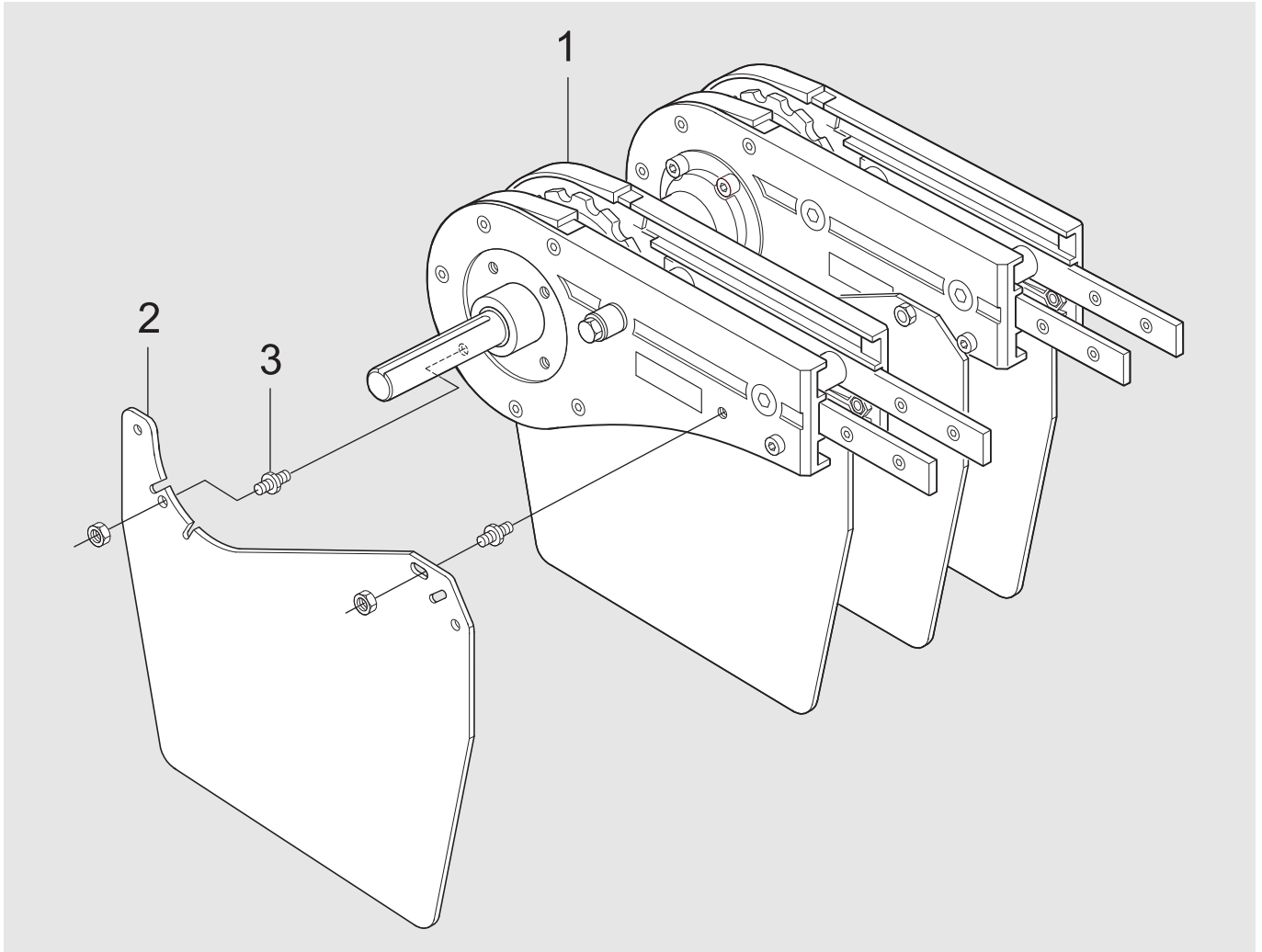


Item	Description	Part No	Qty	Comments	Type
1	0-unit (left-hand version)	XTEB 0 LNP/D-	1	See next page for details	
	0-unit (right-hand version)	XTEB 0 RNP/D-	1	See next page for details	
	Motor , see Drive unit guide 5014				
2	Torque arm kit	5050028	1		
Figures "1", "2", and "3" in the "Type" column represent: 1. Spare parts, immediately available for ordering 2. RFQ items (request for quote) 3. Standard hardware items, normally purchased locally					

*The dash (-) indicates c/c distance.

End drive unit, direct drive with torque arm

0-unit – XTEB 0 LNPDP/RNPD-*



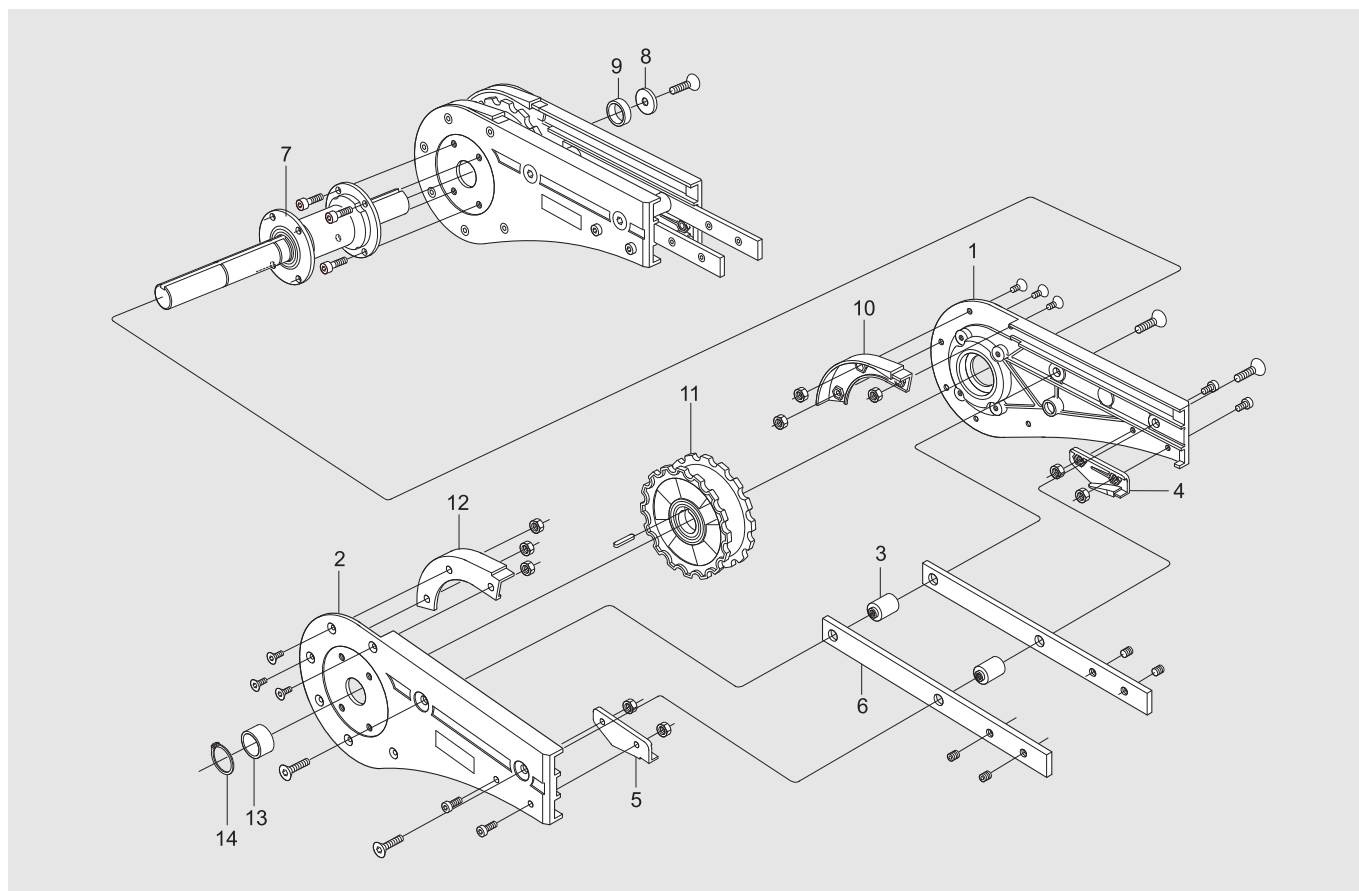
Item	Description	Part No	Qty	Comments	Type
1	Basic unit (left-hand version)	XTEB 0 LNUD-	1	See next page for details	
	Basic unit (right-hand version)	XTEB 0 RNUD-	1	See next page for details	
2*	Slack protection	(3925673)	4	See kit below	
3*	Distance screw kit	(3925718)	8	See kit below	
*) 2	Slack protection kit	5111581	2	Kit contains 2 pcs	1
*) 3	Distance screw kit	5111598	1	Kit contains 10 pcs	1

Figures "1", "2", and "3" in the "Type" column represent:

1. Spare parts, immediately available for ordering
2. RFQ items (request for quote)
3. Standard hardware items, normally purchased locally

End drive unit, direct drive with torque arm

Basic unit – XTEB 0 LNUD/RNUD-*



Item	Description	Part No	Qty	Comments	Type
1	Side plate R	5045530	2		2
2	Side plate L	5045531	2		2
3	Spacer	5044883	6		2
4*	Guide R	(5047730)	1	See kit below	
5*	Guide L	(5047731)	1	See kit below	
6	Connecting strip	5044891	4		1
7	Bearing unit	5048992	1		2
8	Washer	5045523	1		2
9	Spacer	3925325	1		2
10*	Guide R	(5045719)	1	See kit below	
11*	Drive wheel	(5044879)	2	See kit below	
12*	Guide L	(5045720)	1	See kit below	
13	Spacer	5045657	1		2
14	Retaining ring	SgA 25	1		1
*) 4+5+10+12	Steering guide kit	5053325	1	2xL+R	1
*) 11	Wheel	5111655	2		1

Figures "1", "2", and "3" in the "Type" column represent:

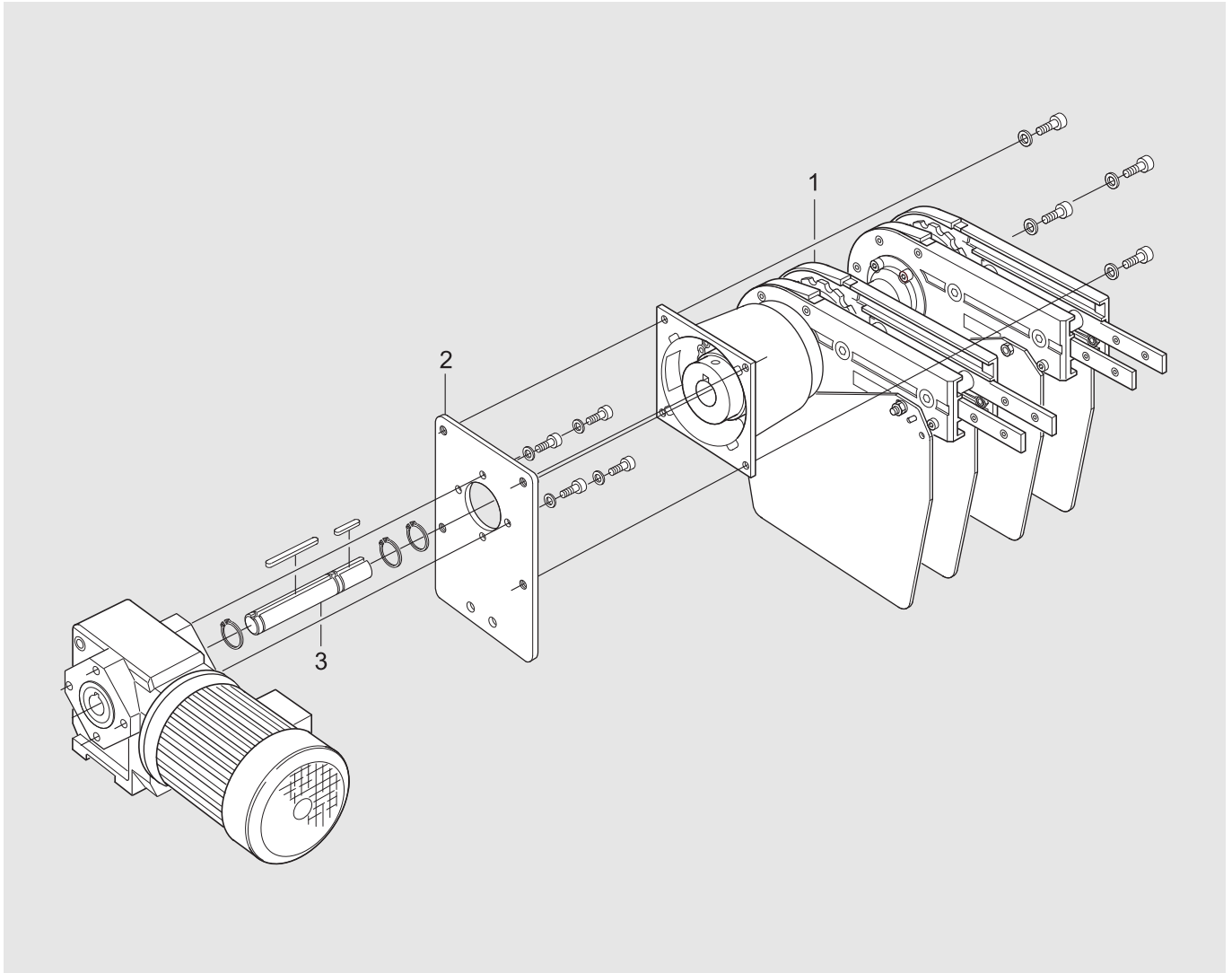
1. Spare parts, immediately available for ordering
2. RFQ items (request for quote)
3. Standard hardware items, normally purchased locally

*The dash (-) indicates c/c distance.

End drive unit, direct drive with slip clutch

Complete unit – XTEB_ LPD/RPD-*

For SEW SA37 gearmotor



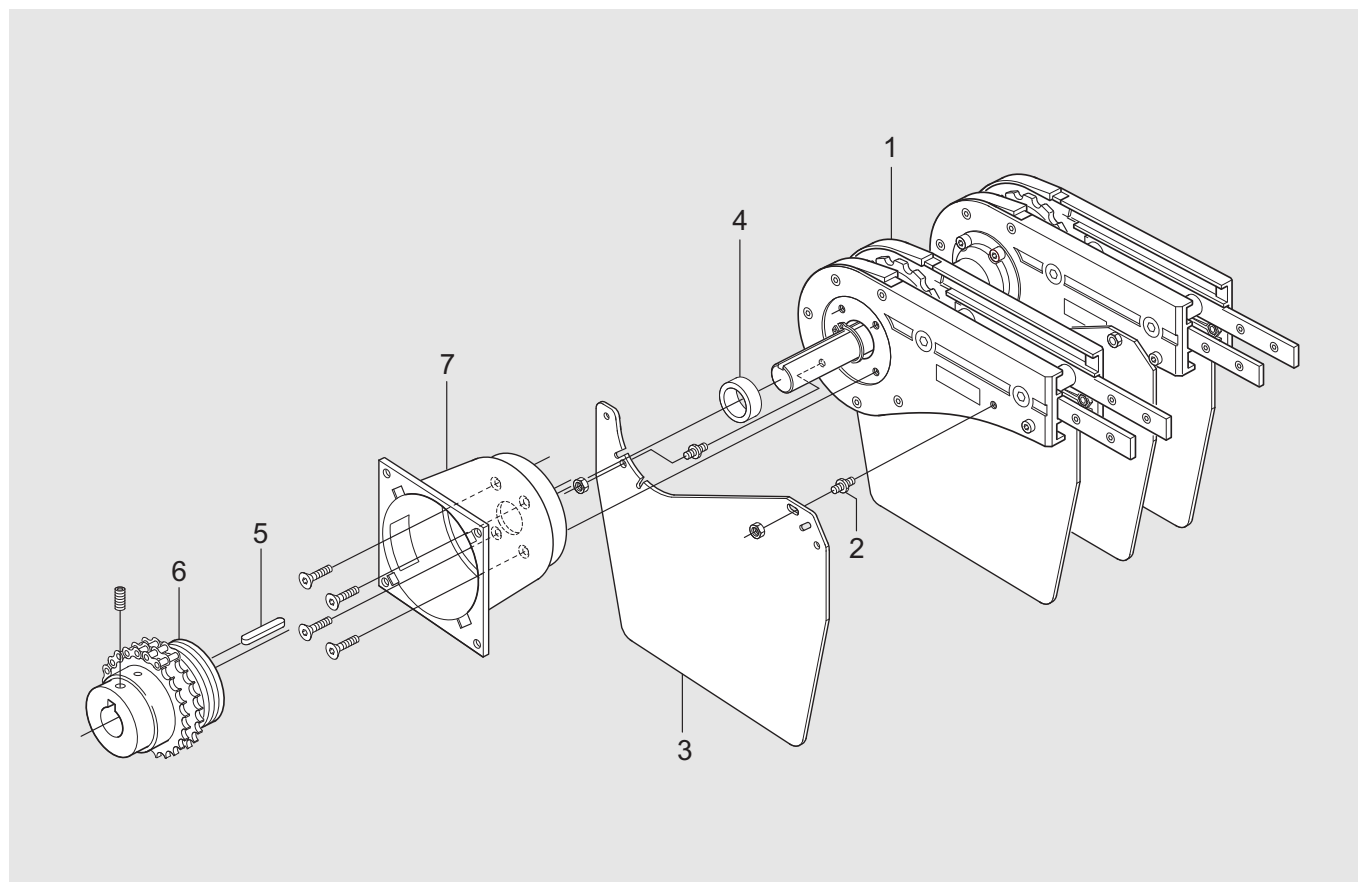
Item	Description	Part No	Qty	Comments	Type
1	O-unit (left-hand version)	XTEB 0 LPD-	1	See next page for details	
	O-unit (right-hand version)	XTEB 0 RPD-	1	See next page for details	
2	Adapter plate including bolts, wedges, washers and shaft	3920088	1		2
	Motor , see Drive unit guide 5014				
3	Shaft	3921205	1	Included in item 2	

Figures "1", "2", and "3" in the "Type" column represent:

1. Spare parts, immediately available for ordering
2. RFQ items (request for quote)
3. Standard hardware items, normally purchased locally

End drive unit, direct drive with slip clutch

0-unit – XTEB 0 LPD/RPD-*



Item	Description	Part No	Qty	Comments	Type
1	Basic unit (left-hand version)	XTEB 0 LUD-*	1	See next page for details	
	Basic unit (right-hand version)	XTEB 0 RUD-*	1	See next page for details	
2*	Distance screw M5/M6	(5046560)	8	See kit below	
3*	Slack protection	(3925673)	4	See kit below	
4	Spacer	5047076	1		2
5	Thin parallel key	8x7-40	1	DIN 6885A h9	
6	Slip clutch	5054003	1		1
7	Flange casting	3920084	1		2
*) 2	Distance screw kit	5111598	1	Kit contains 10 pcs	1
*) 3	Slack protection kit	5111581	2	Kit contains 2 pcs	1

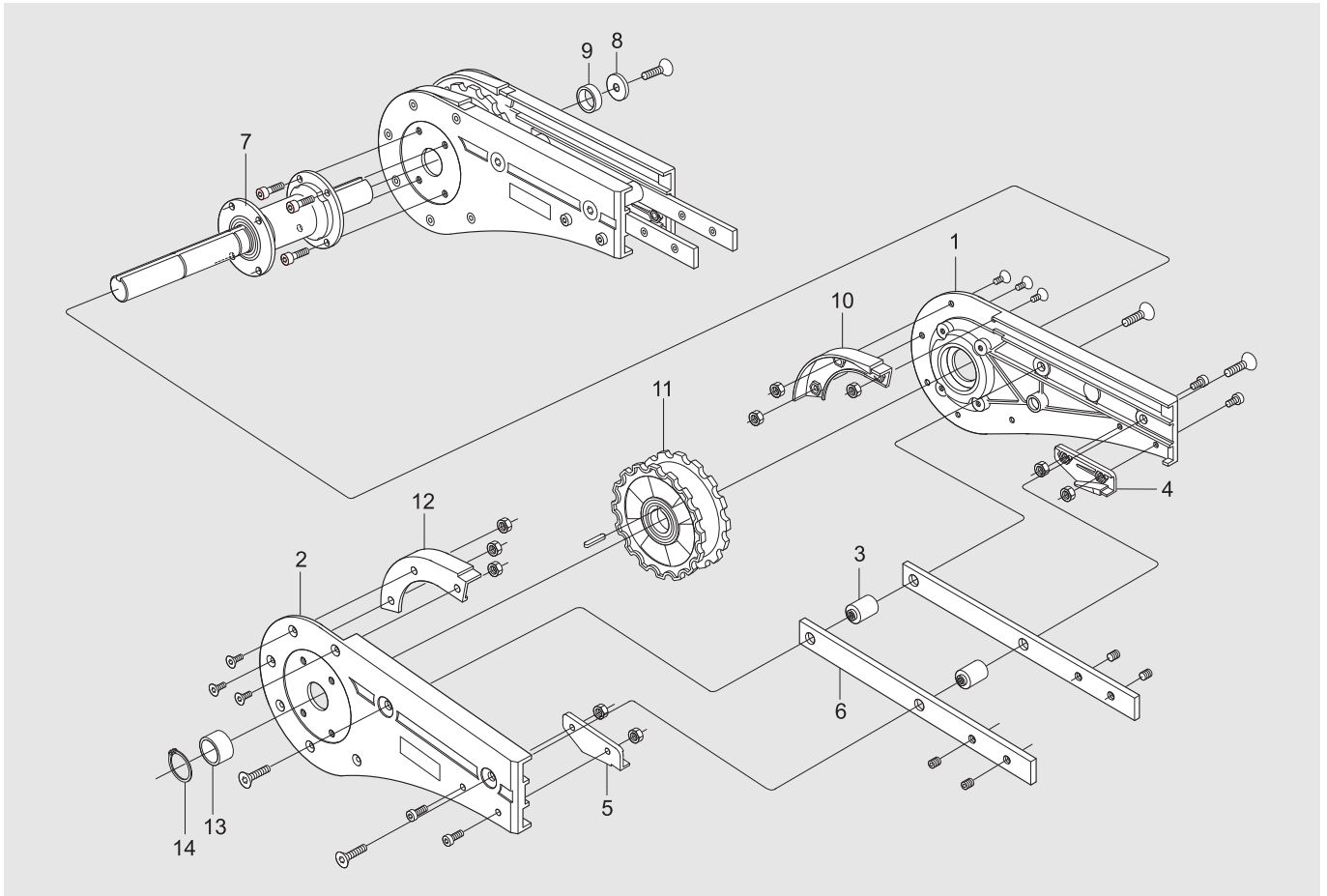
Figures "1", "2", and "3" in the "Type" column represent:

1. Spare parts, immediately available for ordering
2. RFQ items (request for quote)
3. Standard hardware items, normally purchased locally

*The dash (-) indicates c/c distance.

End drive unit, direct drive with slip clutch

Basic unit – XTEB LUD/RUD-*



Item	Description	Part No	Qty	Comments	Type
1*	Side plate R	(5045530)	2	See kit below	
2*	Side plate L	(5045531)	2	See kit below	
3	Spacer	5044883	6		2
4*	Guide R	(5047730)	1	See kit below	
5*	Guide L	(5047731)	1	See kit below	
6	Connecting strip	5044891	4		1
7	Bearing unit	5044898	1		2
8	Washer	5045523	1		2
9	Spacer	3925325	1		2
10*	Guide R	(5045719)	1	See kit below	
11*	Drive wheel	(5044879)	2	See kit below	
12*	Guide L	(5045720)	1	See kit below	
13	Spacer	5045657	1		2
14	Retaining ring	SgA 25	1		2
*) 1+2	Side plate kit	5111656	2	L+R	1
*) 4+5+10+12	Guide kit	5053325	1	2xL+R	1
*) 11	Wheel	5111655	2		1

Figures "1", "2", and "3" in the "Type" column represent:

1. Spare parts, immediately available for ordering
2. RFQ items (request for quote)
3. Standard hardware items, normally purchased locally

*The dash (-) indicates c/c distance.