

Spare parts Catenary drive unit - XT



Technical information from FlexLink

XT002-E4

Catenary drive unit - XT

Contents

Catenary drive unit, direct drive with torque arm

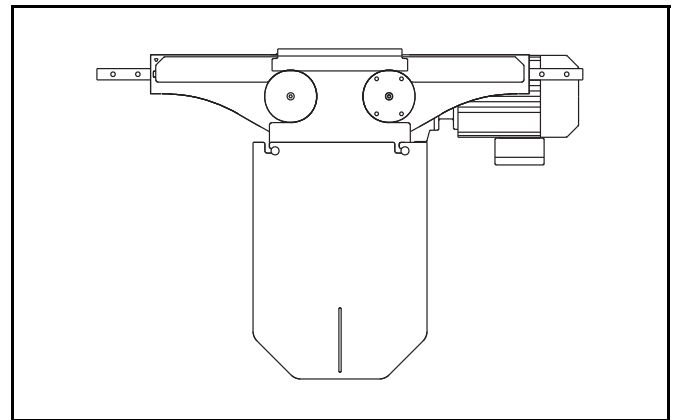
Complete unit – XTEC_LNPD/RNPD-*2
 0-unit – XTEC 0 LNPD/RNPD-*3
 Basic unit – XTEB 0 LNUD/RNUD-4

Catenary drive unit, catenary drive with slip clutch

Complete unit – XTEC_LPD/RPD-*5
 0-unit – XTEC 0 LPD/RPD-*6
 Basic unit – XTEB 0 LUD/RUD-7

Revision list

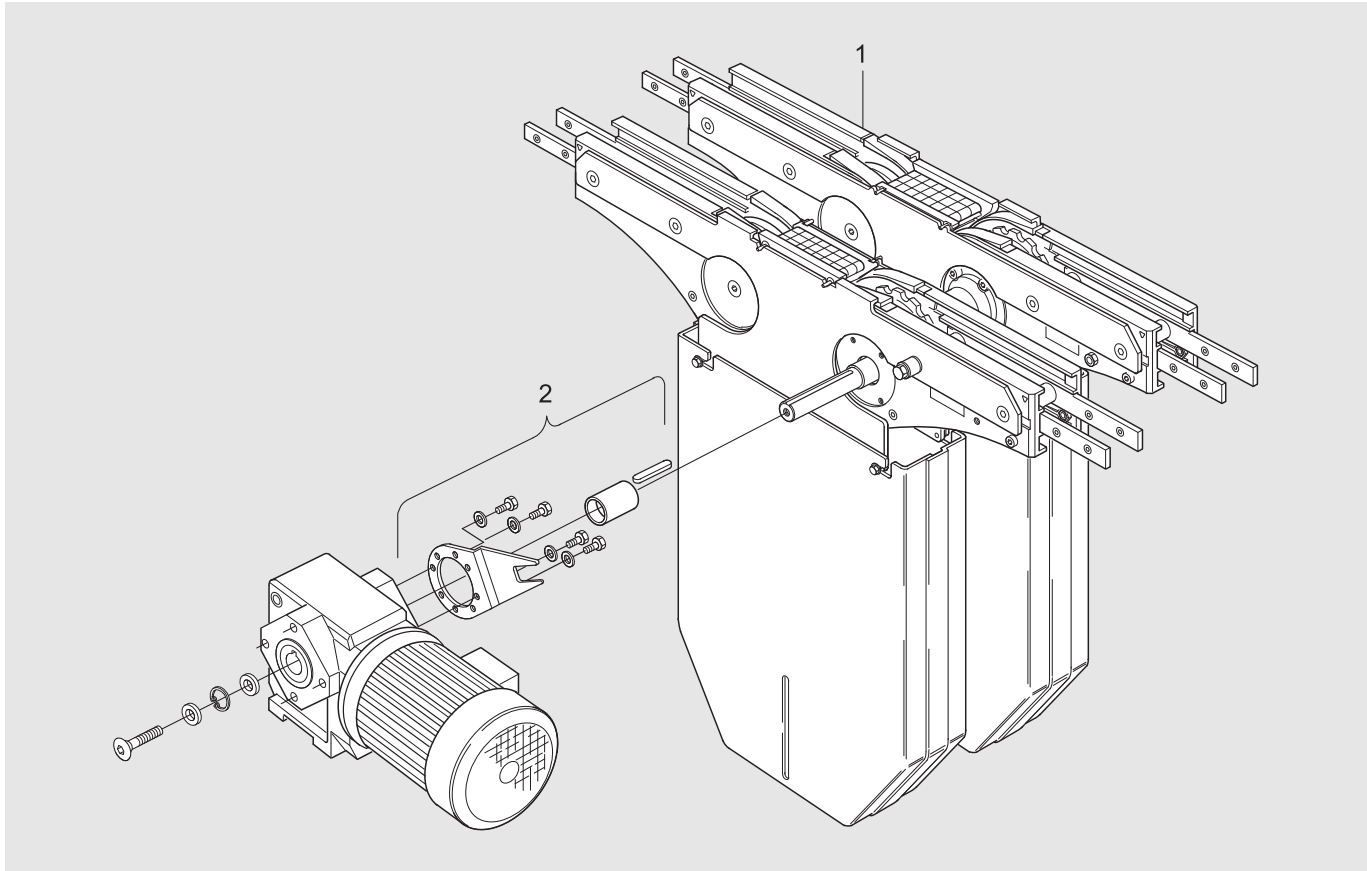
Document designation	Date	Type of revision	Entered by
XT002-E1	99-09-02	New version	TietoEnator
XT002-E2	01-01-30		Information & Media
XT002-E3	08-11-06	Spare part kits added	JE
XT002-E4	09-03-19		JE



Catenary drive unit, direct drive with torque arm

Complete unit – XTEC_LNPD/RNPD-*

For SEW SA37 gearmotor



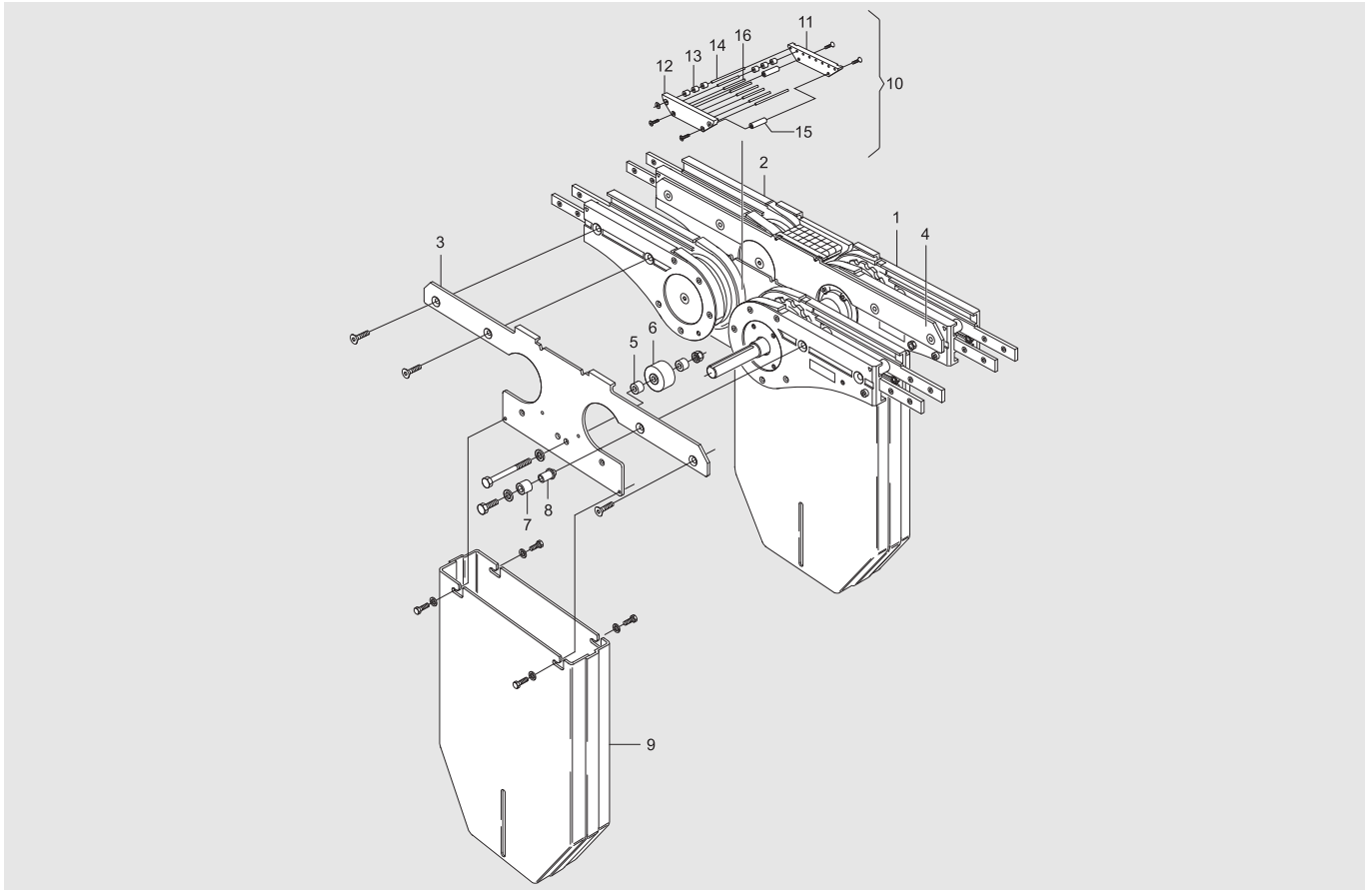
Item	Description	Part No	Qty	Comments	Type
1	0-unit (left-hand version)	XTEC 0 LNPD-	1	See next page for details	
	0-unit (right-hand version)	XTEC 0 RNPD-	1	See next page for details	
	Motor alternative, see Drive unit guide 5014				
2	Torque arm kit	5050028	1		

Figures "1", "2", and "3" in the "Type" column represent:
 1. Spare parts, immediately available for ordering
 2. RFQ items (request for quote)
 3. Standard hardware items, normally purchased locally

*The dash (-) indicates c/c distance.

Catenary drive unit, direct drive with torque arm

0-unit – XTEC 0 LNPD/RNPD-*



Item	Description	Part No	Qty	Comments	Type
1	Basic unit (left-hand version)	XTEB 0 LNUD-	1	See next page for details	
	Basic unit (right-hand version)	XTEB 0 RNUD-	1	See next page for details	
2	Idler end unit	5046941	2		
3	Motor bracket L	5050571	2		2
4	Motor bracket R	5046668	2		2
5	Spacer	5047007	4		2
6	Wheel	3920087	2		2
7*	Torque absorber	(5043874)	1	See kit below	
8*	Sleeve	(5043873)	1	See kit below	
9	Chain guard	5046829	2		2
10	Transfer plate	5050560	2		2
11	Transfer plate	5050520	2	Included in item 10	
12	Transfer plate	5050517	2	Included in item 10	
13	Roller	3926395	48	Included in item 10	
14	Shaft	5050518	4	Included in item 10	
15	Shaft	5050519	4	Included in item 10	
16	Shaft	5050525	12	Included in item 10	
*) 7+8	Absorber kit	5111548	1	Including screw and washer	1

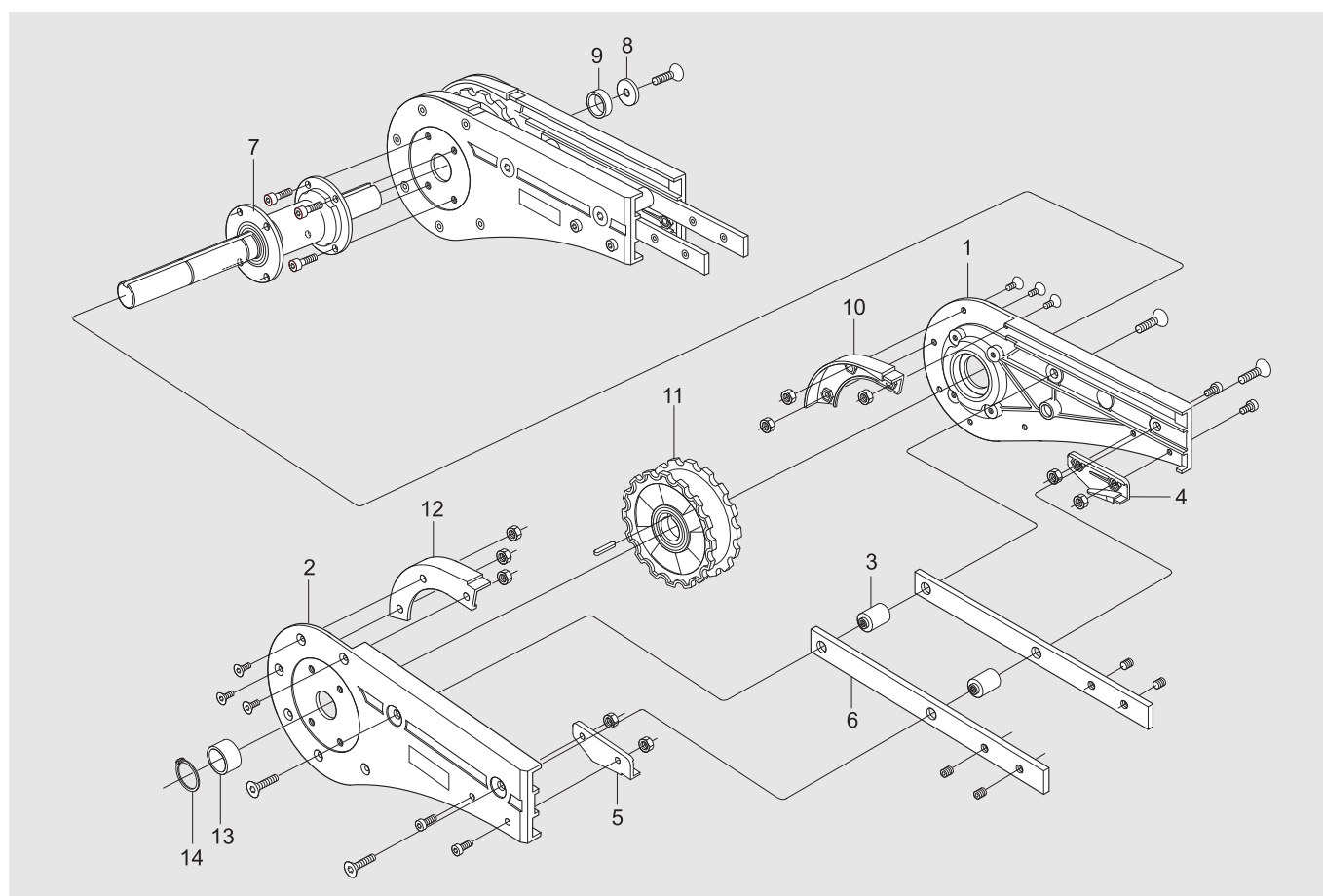
Figures "1", "2", and "3" in the "Type" column represent:

1. Spare parts, immediately available for ordering
2. RFQ items (request for quote)
3. Standard hardware items, normally purchased locally

*The dash (-) indicates c/c distance.

Catenary drive unit

Basic unit – XTEB 0 LNUD/RNUD-



Item	Description	Part No	Qty	Comments	Type
1	Side plate R	5045530	2		2
2	Side plate L	5045531	2		2
3	Spacer	5044883	6		2
4*	Guide R	(5047730)	1	See kit below	
5*	Guide L	(5047731)	1	See kit below	
6	Connecting strip	5044891	4		1
7	Bearing unit	5048992	1		2
8	Washer	5045523	1		2
9	Spacer	3925325	1		2
10*	Guide R	(5045719)	1	See kit below	
11*	Drive wheel	(5044879)	2	See kit below	
12*	Guide L	(5045720)	1	See kit below	
13	Spacer	5045657	1		2
14	Retaining ring	SgA 25	1		1
*) 4+5+10+12	Guide kit	5053325	1	Including screw and washer	1
*) 11	Wheel	5111655	2		1

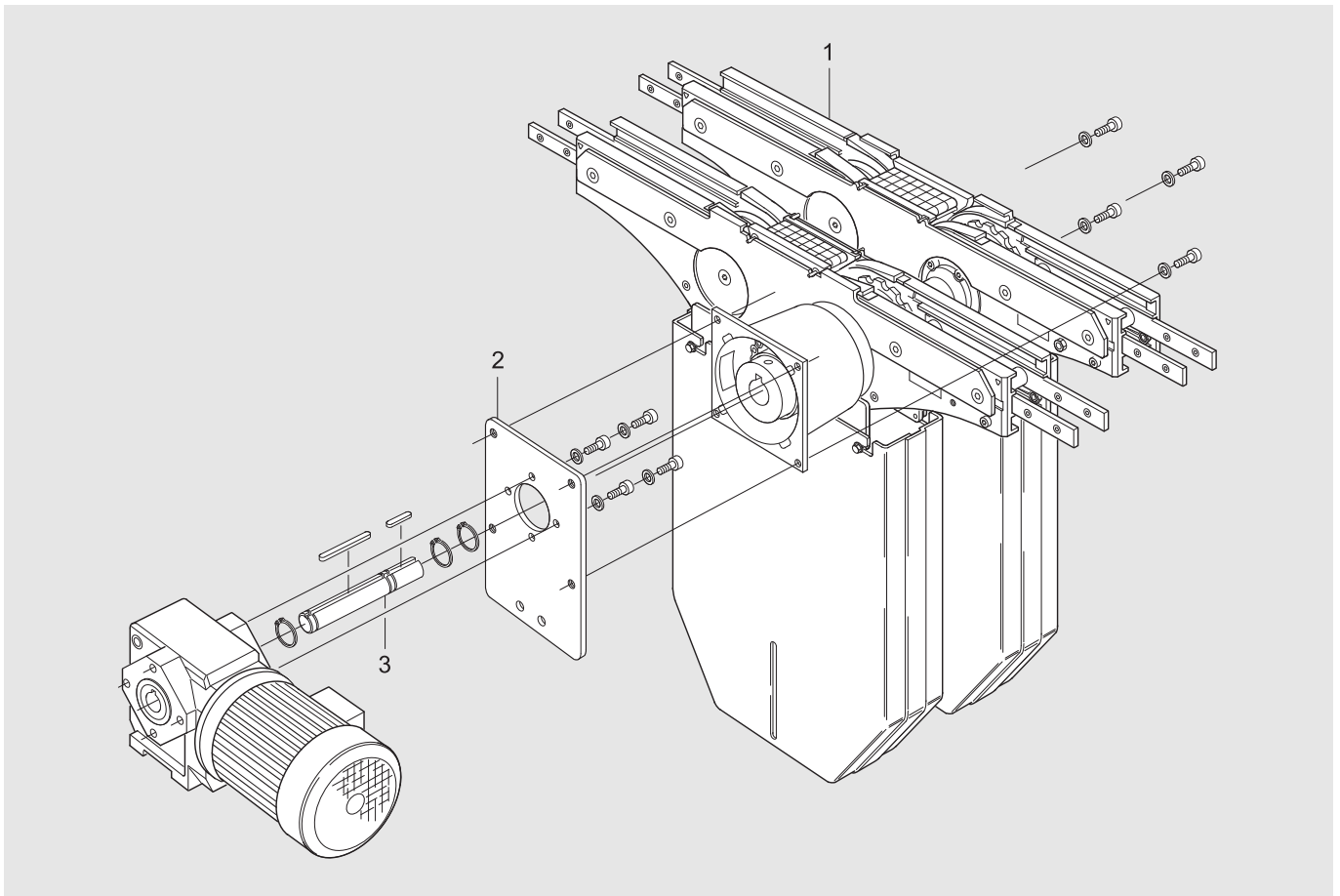
Figures "1", "2", and "3" in the "Type" column represent:
 1. Spare parts, immediately available for ordering
 2. RFQ items (request for quote)
 3. Standard hardware items, normally purchased locally

*The dash (-) indicates c/c distance.

Catenary drive unit, catenary drive with slip clutch

Complete unit – XTEC_LPD/RPD-*

For SEW SA37 gearmotor



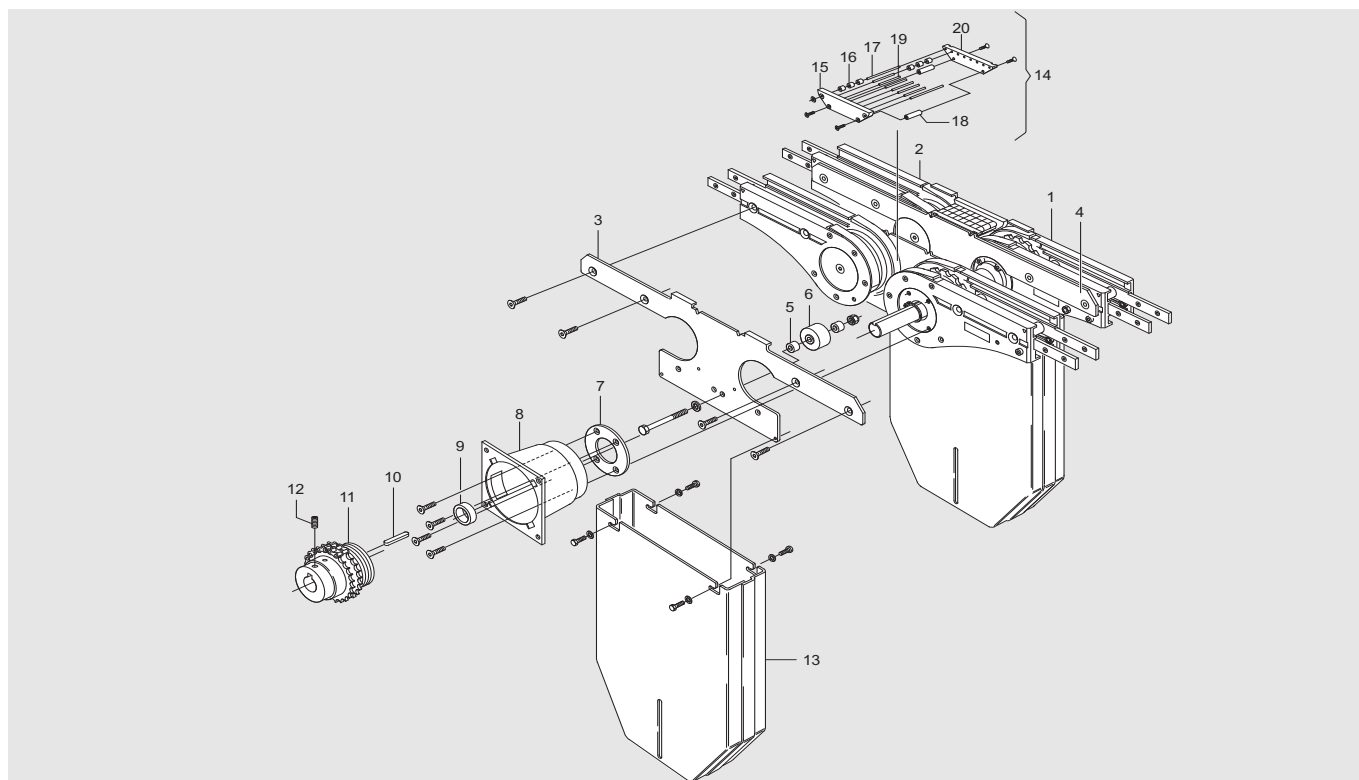
Item	Description	Part No	Qty	Comments	Type
1	0-unit (left-hand version)	XTEC 0 LPD-	1	See next page for details	
	0-unit (right-hand version)	XTEC 0 RPD-	1	See next page for details	
2	Adapter plate including bolts, wedges and washers	3920088	1		
3	Shaft	3921205	1	Included in item 2	

Figures "1", "2", and "3" in the "Type" column represent:
 1. Spare parts, immediately available for ordering
 2. RFQ items (request for quote)
 3. Standard hardware items, normally purchased locally

*The dash (-) indicates c/c distance.

Catenary drive unit, direct drive with slip clutch

0-unit – XTEC 0 LPD/RPD-*



Item	Description	Part No	Qty	Comments	Type
1	Basic unit (left-hand version)	XTEB 0 LUD-	1	See next page for details	
	Basic unit (right-hand version)	XTEB 0 RUD-	1	See next page for details	
2	Idler end unit	5046941	2		
3	Motor bracket L	5050571	2		2
4	Motor bracket R	5046668	2		2
5	Spacer	5047007	4		2
6	Wheel	3920087	2		2
7	Washer	5046585	1		2
8	Flange	3920084	1		2
9	Spacer	5047076	1		2
10	Thin parallel key	8x7-40	1	DIN 6885A h9	3
11	Slip clutch $\varnothing 20-\varnothing 25$	5054003	1		1
12	Grub screw	SK6SS M6x10FZB	1		3
13	Chain guard	5046829	2		2
14	Transfer plate	5050560	2		2
15	Transfer plate	5050517	2	Included in item 14	
16	Roller	3926395	48	Included in item 14	
17	Shaft	5050518	4	Included in item 14	
18	Shaft	5050519	4	Included in item 14	
19	Shaft	5050525	12	Included in item 14	
20	Transfer plate	5050520	2	Included in item 14	

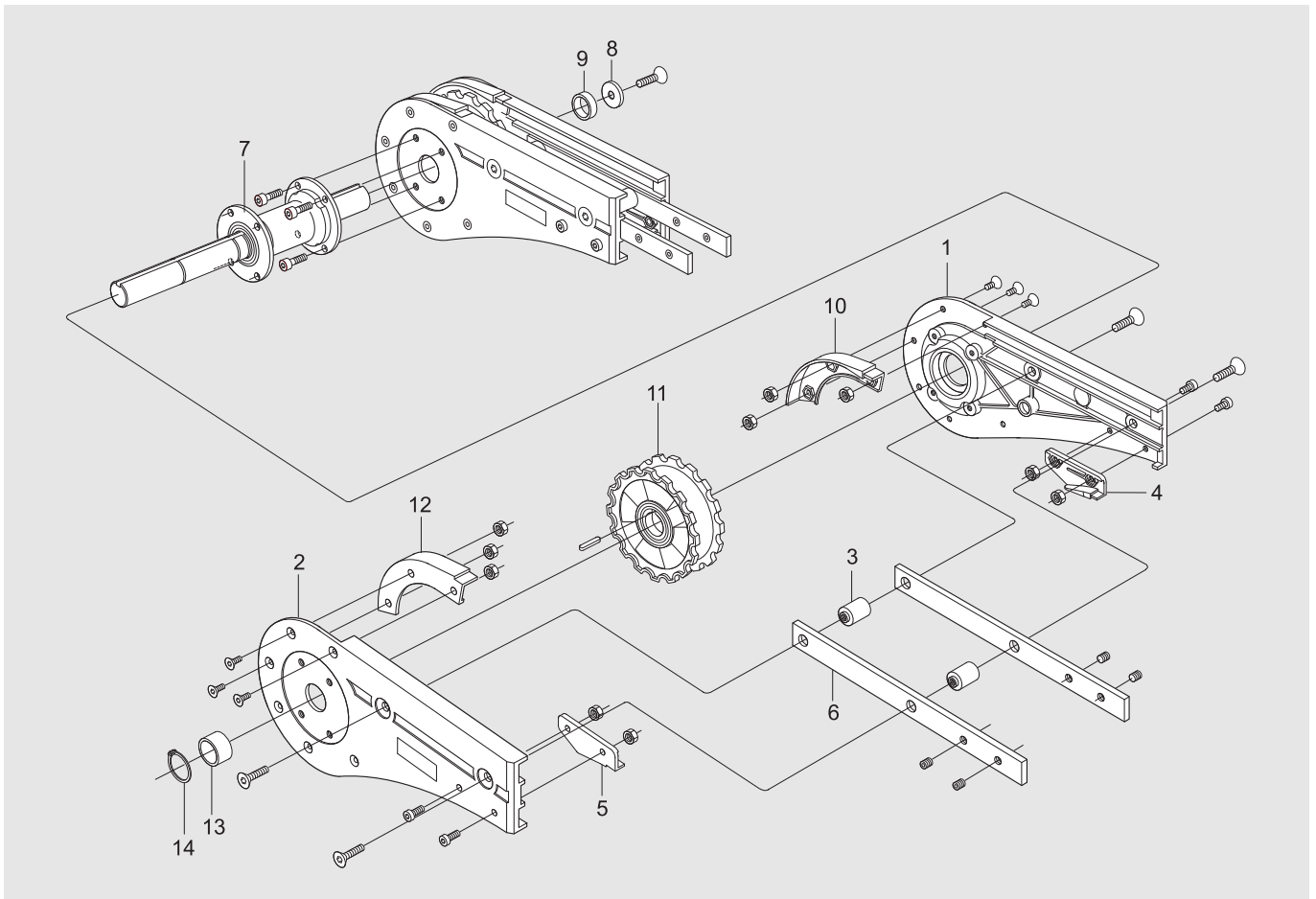
Figures "1", "2", and "3" in the "Type" column represent:

1. Spare parts, immediately available for ordering
2. RFQ items (request for quote)
3. Standard hardware items, normally purchased locally

* The dash (-) indicates c/c distance.

Catenary drive unit

Basic unit – XTEB 0 LUD/RUD-



Item	Description	Part No	Qty	Comments	Type
1	Side plate R	5045530	2		2
2	Side plate L	5045531	2		2
3	Spacer	5044883	6		2
4*	Guide R	(5047730)	1	See kit below	
5*	Guide L	(5047731)	1	See kit below	
6	Connecting strip	5044891	4		1
7	Bearing unit	5044898	1		2
8	Washer	5045523	1		2
9	Spacer	3925325	1		2
10*	Guide R	(5045719)	1	See kit below	
11*	Drive wheel	(5044879)	2	See kit below	
12*	Guide L	(5045720)	1	See kit below	
13	Spacer	5045657	1		2
14	Retaining ring	SgA 25	1		3
*) 4+5+10+12	Guide kit	5053325	1		1
*) 11	Wheel	5111655	2		1

Figures "1", "2", and "3" in the "Type" column represent:

1. Spare parts, immediately available for ordering
2. RFQ items (request for quote)
3. Standard hardware items, normally purchased locally

*The dash (-) indicates c/c distance.