

Spare parts Idler end unit - XT



Technical information from FlexLink

XT004-E4

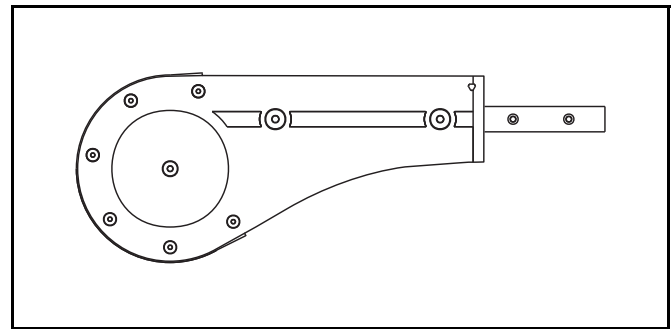
Idler end unit - XT

Contents

Idler end unit
 XTEJ 3202

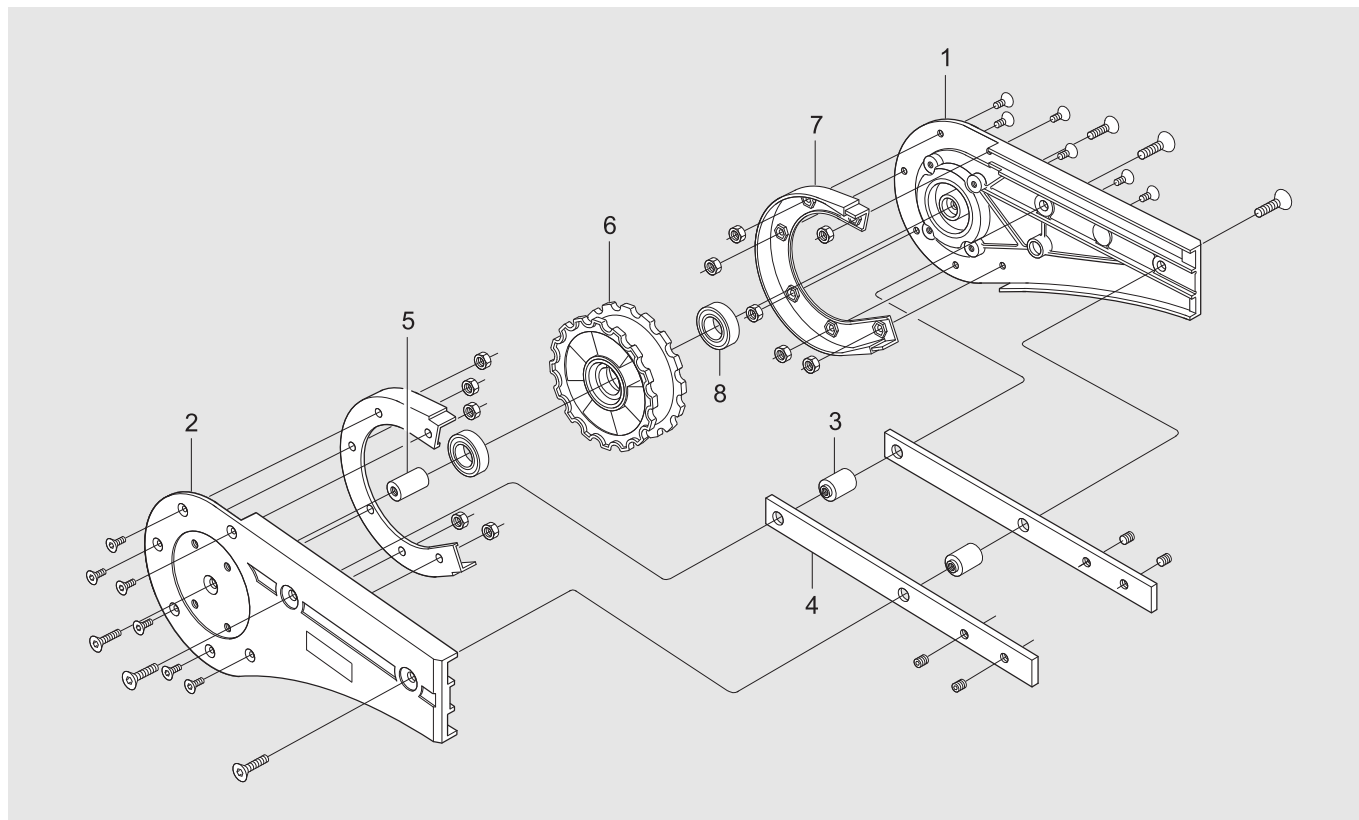
Revision list

Document designation	Date	Type of revision	Entered by
XT004-E1	98-10-14	New version	Enator Inforum
XT004-E2	01-01-30	Part no change	Information & Media
XT004-E3	08-10-16	Spare part kits added	JE
XT004-E4	09-03-19		JE



Idler end unit

XTEJ 320



Item	Description	Part No	Qty	Comments	Type
1	Side plate L	5044679	1		2
2	Side plate R	5045031	1		2
3	Spacer	5044883	2		2
4	Connecting strip	5044891	2		1
5*	Shaft	(5045505)	1	See kit below	
6*	Idler wheel	(5044880)	1	See kit below	
7*	Guide	(5044885)	2	See kit below	
8*	Ball bearing	(6002 2Z)	2	See kit below	
*) 5+6+8	Wheel kit	5111657	1		1
*) 6	Wheel	5111656	1		1
*) 7	Guide kit	5053330	1	Kit contains 2 pcs	1

Figures "1", "2", and "3" in the "Type" column represent:

1. Spare parts, immediately available for ordering
2. RFQ items (request for quote)
3. Standard hardware items, normally purchased locally