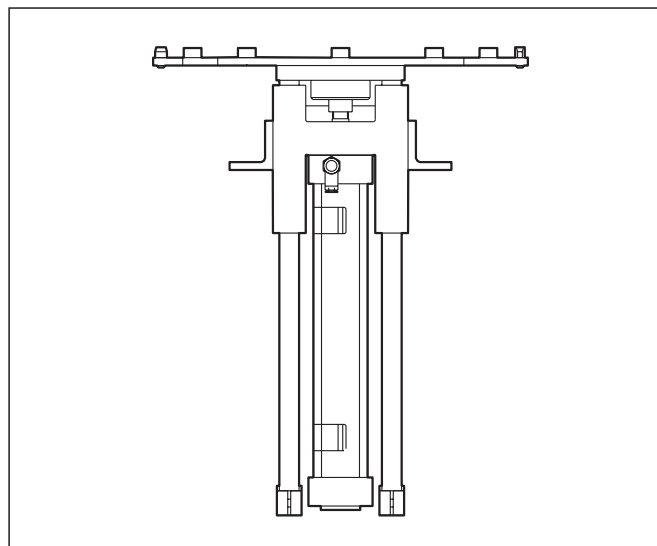




Lift-and-locate unit XTPX P12

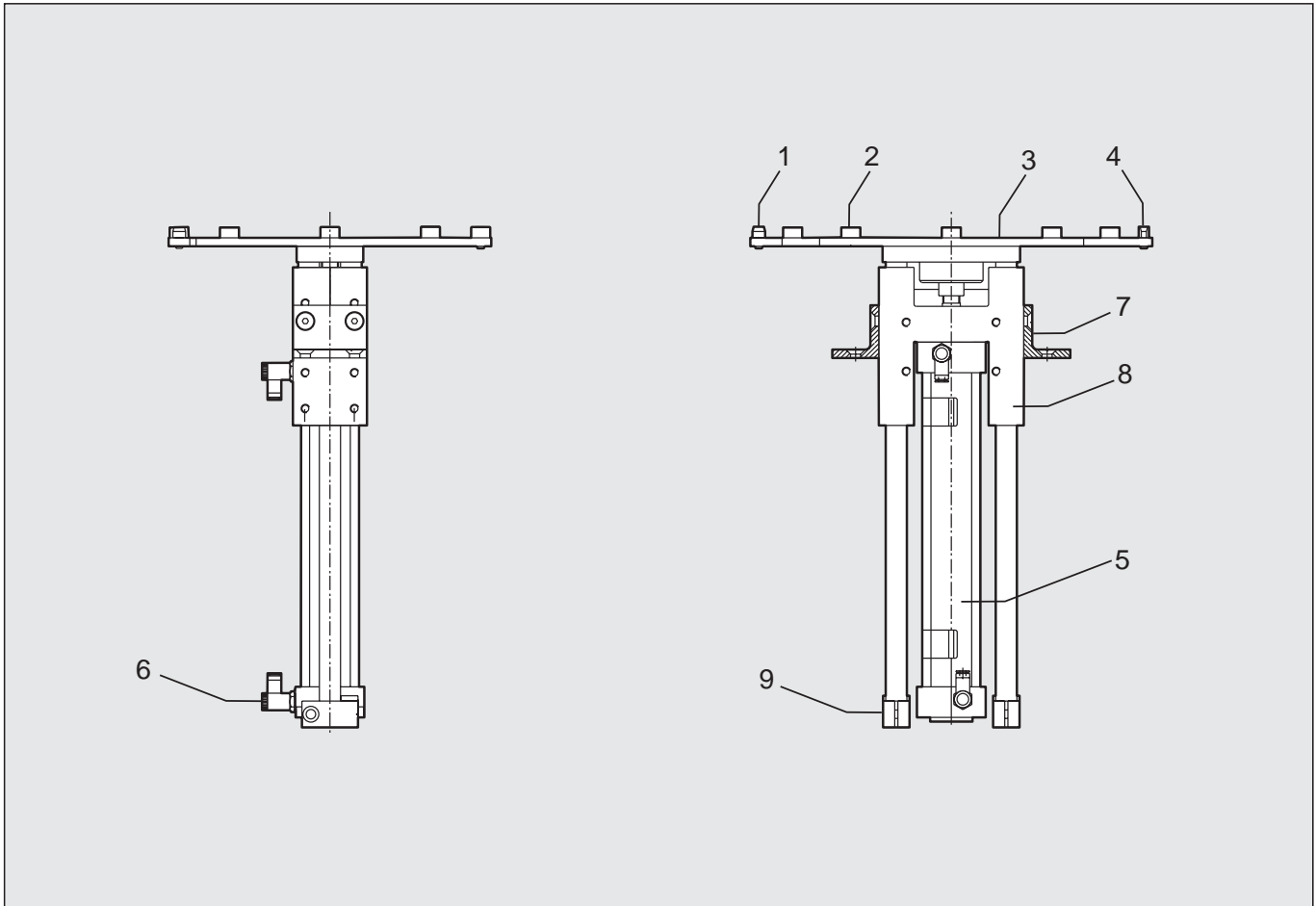
Table of contents

Lift-and-locate unit XTPX P12 PWxPL 2



Lift-and-locate unit

XTPX P12 PW×PL



Item	Description	Part No	Qty	Comments
1*	Guide pin, cylinder 18065	5049706	1	See note (*)
2	Support, PW×PL <320×320	5053362	5	
	Support, PW×PL ≥320×320	5053362	9	
3	Plate	5052841	1	
4*	Guide pin, square 18066	5049704	1	See note (*)
5	DNC-50-250PPV-A	5053415	1	Festo cylinder, Ø50 mm
6	Check valve	GRLA-1/4-QS-6-RS-B	2	
7	Angle bracket	5052774	2	
8	FENG-50-280	5053414	1	
9	Clamp	5053736	2	

* Delivered in kit with order no. 5053331.

Revision list

Document designation	Date	Type of revision	Entered by
XT009-E1	02-08-07	New version	Kristina Lindén, FL AB