

Spare parts Transfer station XTPT L



Technical information from FlexLink

XT012-E3

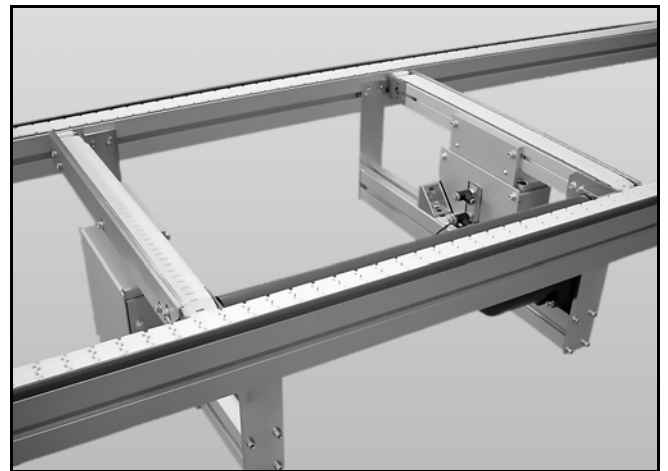
Transfer station XTPT L

Contents

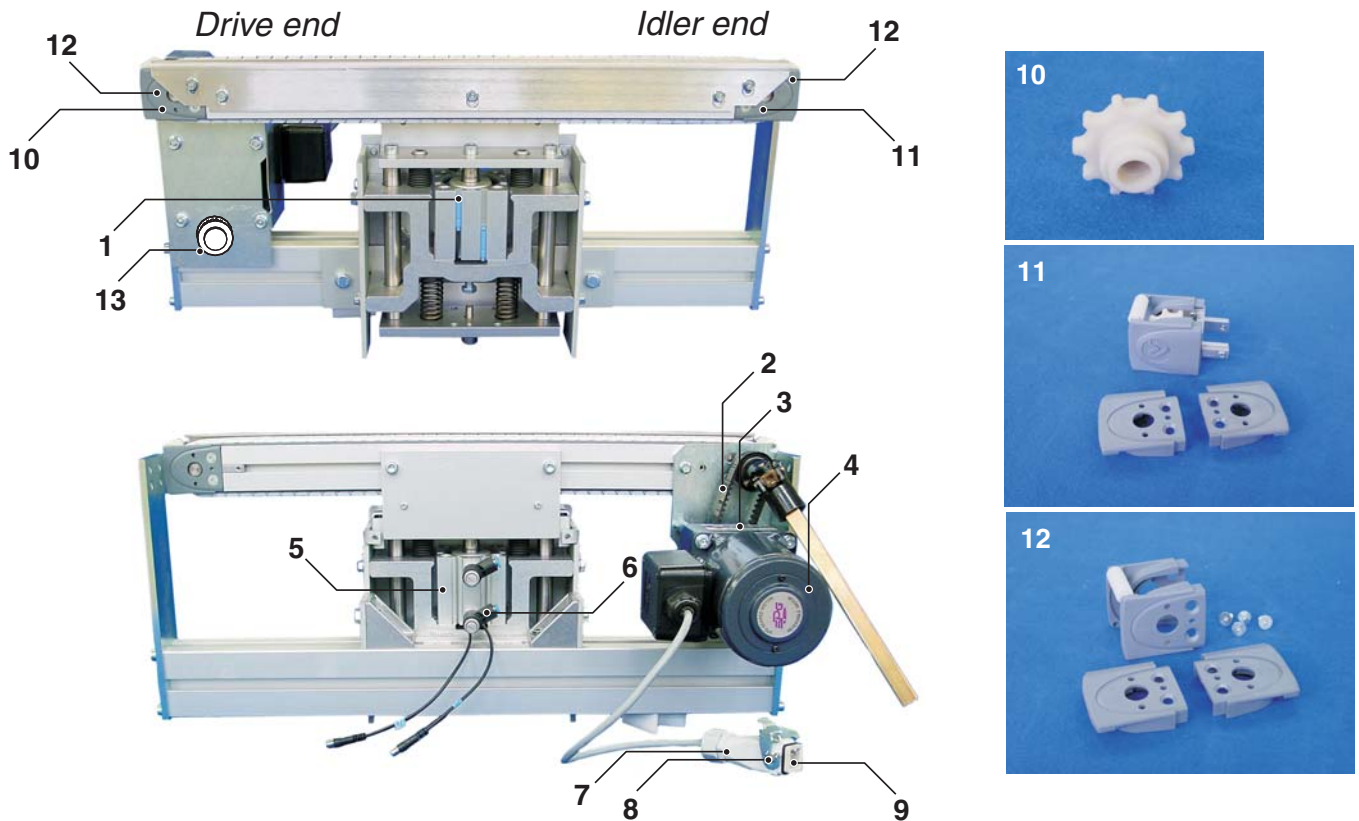
Transfer station XTPT L.....2

Revision list

Doc ID	Date	Type of revision	Entered by
XT012-E2	2008-09-15		JE
XT012-E3	2009-03-18		JE



Transfer station XTPT L



Item	Description	Part No	Qty	Comments	Type
1	Sensor	RZT1-03ZRS-KP0	4	SICK	3
2	Tooth belt	5111743	1	250-5MGT3-15	1
3	Gearbox 12,5:1, 40 W	5111738	1	S9KB12.5BH	1
4	AC motor 40 W Rev. 50 Hz, including capacitor 3,0 µF	5111733	1	S9R40GXH-TCE	1
	AC motor 40 W Rev. 60 Hz, including capacitor 12,0 µF	5111734	1	S9R40GEH-TCE	1
5	Pneumatic cylinder	ADVC-50-25-I-P-A	2	FESTO	3
6	Back pressure valve	GRLA-1/8-QS-6-RS-B	4	FESTO	3
7	Screw cap	13-08080521	1	Weidmüller	3
8	Coupling hood	HDC-HAD-7-KVL 1XM20G	1	Weidmüller	3
9	Insert male 3-pole	HDC-HA-3SS	1	Weidmüller	3
10	Drive wheel	5055848	1		1
11*	Idler end, standard	5055847	1		1
	Idler end, conductive	5055846	1		1
12**	Idler end kit, standard	5055844	1	Fits both drive and idler end	1
	Idler end kit, conductive	5055845	1	Fits both drive and idler end	1
13	Belt wheel	5111745	1	20-5-MR-15 (D=12 mm)	1

* Item 12 includes idler end (1), left guide (1) and right guide (1).

** Item 13 includes side plate without guide (2), left guide (1), right guide (1), roller kit (1) and screws (4).

Figures "1", "2", and "3" in the "Type" column represent:
 1. Spare parts kits, immediately available for ordering
 2. RFQ items (request for quote)
 3. Standard hardware items, normally purchased locally