



## Pneumatic transfer unit – XT

### Contents

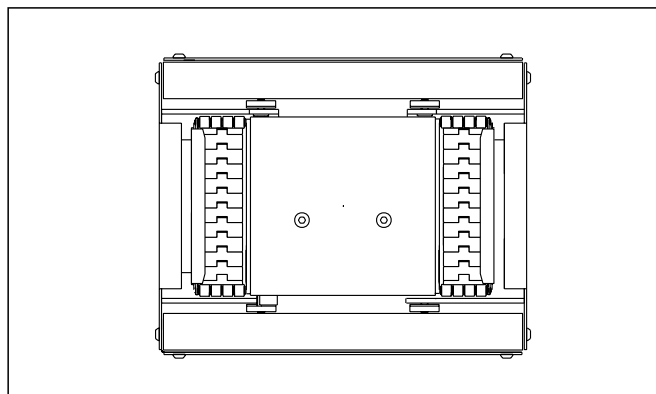
#### *Pneumatic transfer unit*

XTUT 240×240 _____	2
XTUT 320×320, 400×400 _____	4

#### *Drive kit*

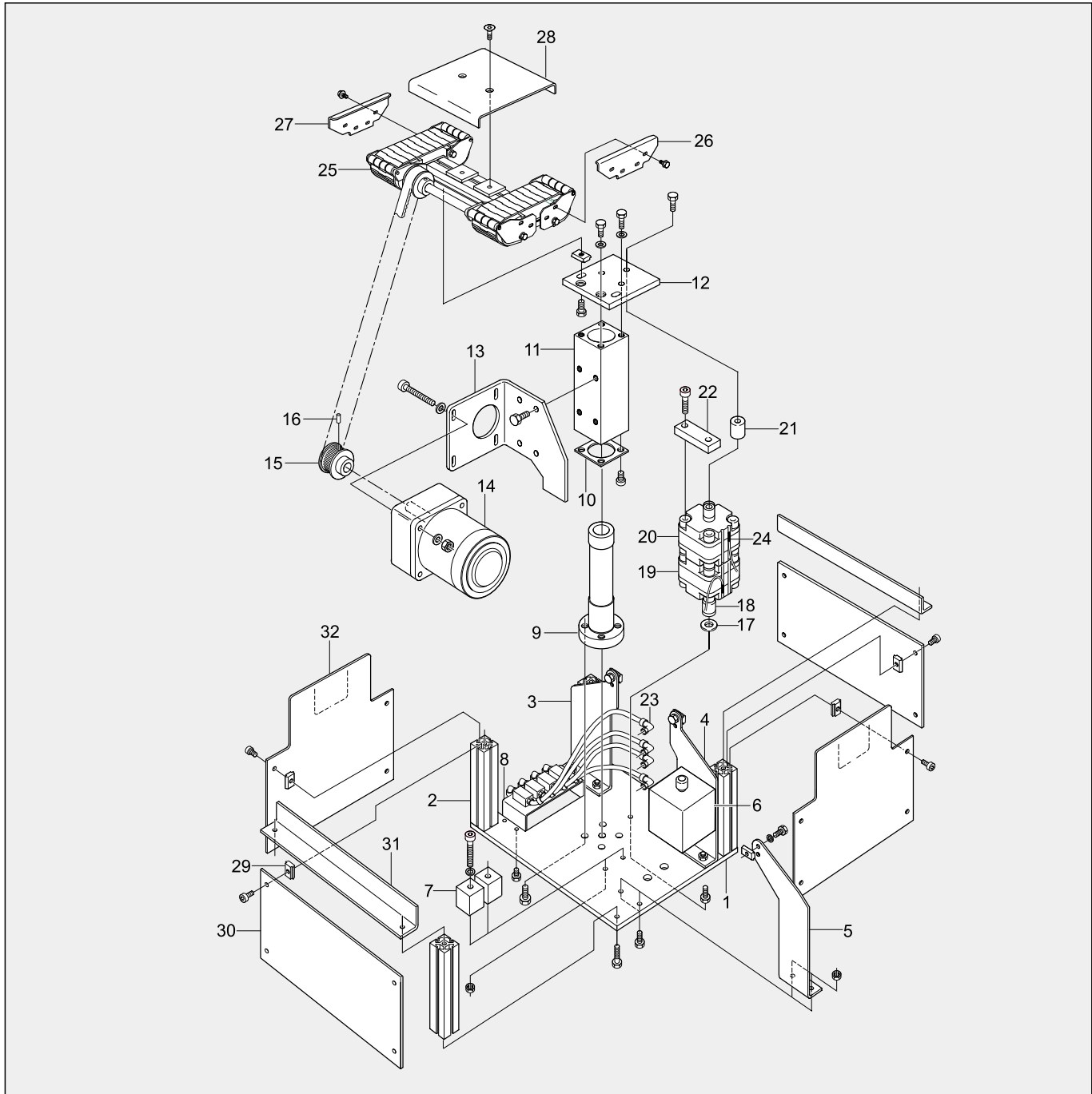
210 _____	6
290/370 _____	7

<i>Revision list</i> _____	8
----------------------------	---



# Pneumatic transfer unit

XTUT 240x240

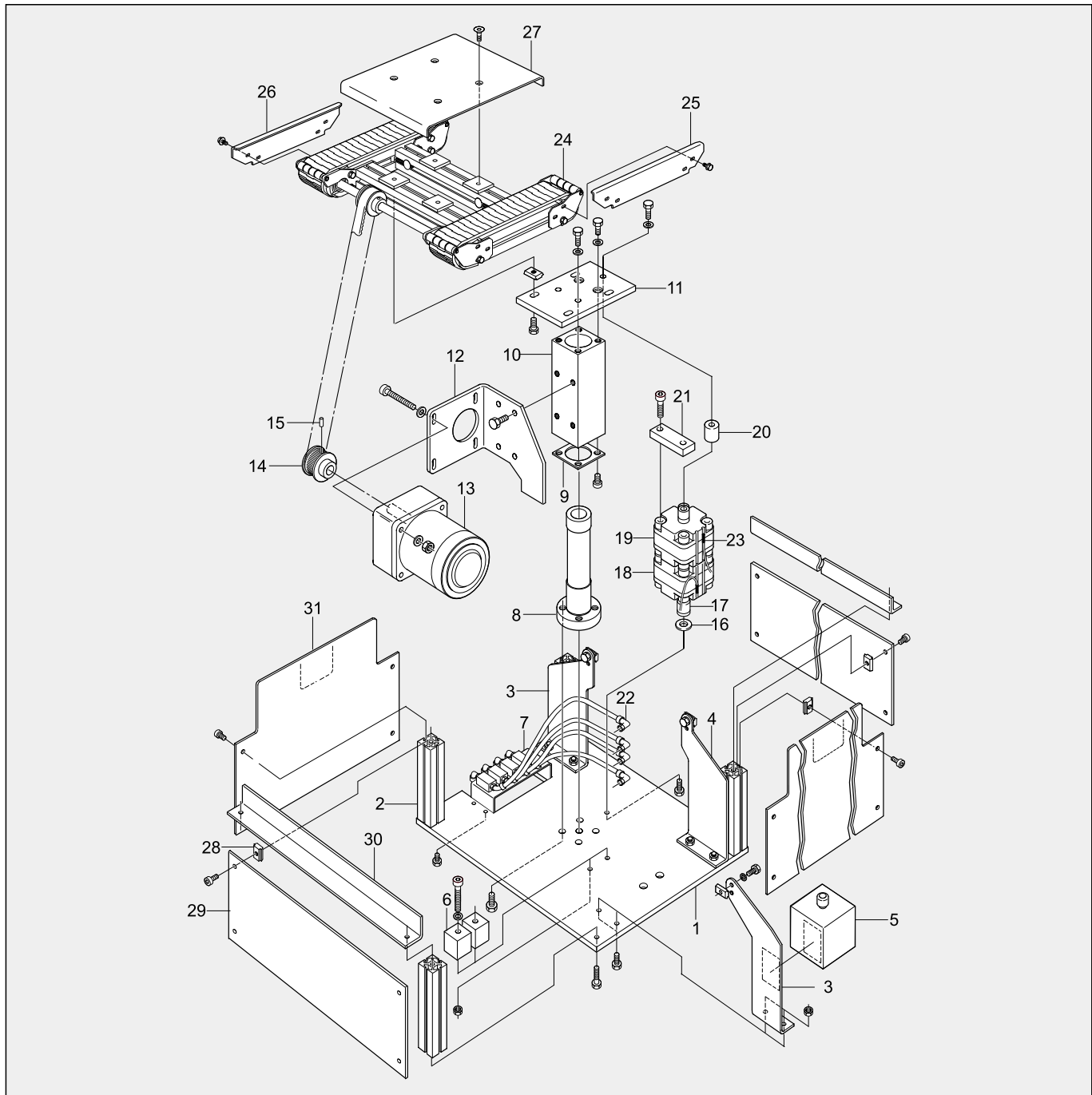


Item	Description	Part No	Qty	Comments
1	Adapter plate	5050934	1	
2	Beam	5049274	4	
3	Bracket	5050944	1	
4	Bracket	5050946	1	
5	Bracket	5050945	1	
6	Connecting box	5050283	1	
7	Sliding element	5049279	2	
8	Sheet	5050864	1	

Item	Description	Part No	Qty	Comments
9	Shaft	5049278	1	
10	Washer	5049273	1	
11	Sleeve	5049277	1	
12	Mounting plate, 240	5049281	1	
13	Motor bracket, 240	5049401	1	
14	Gear box, 240	S8KA12.5B	1	SPG
	Motor, 50 Hz, 240	S8R25GX	1	SPG
	Motor, 60 Hz, 240	S8R25GE		SPG
15	Belt wheel, 240	5048824	1	
16	Set screw (included in item 15)	SK6SS M4x10 FZB	1	
17	Washer	5049400	1	
18	Flexiconnection	FK-M6	1	
19	Pneumatic cylinder	ADVU-40-6,5-P-A	1	Festo
20	Pneumatic cylinder	ADVU-40-14,5-P-A	1	Festo
21	Rod end	5049399	1	
22	Slide block	5049398	1	
23	L-fitting	QSML 1/8-6	4	
24	Sensor	SM-8-S-LED-24		
25	Drive kit, 210	5049831	1	
26	Stop plate	5049953	1	
27	Guide	5050027	1	
28	Cover plate	5049280	1	
29	Slot nut	XFAN 5	16	
30	Cover plate	5050943	2	
31	Cover plate	5050948	2	
32	Cover plate	5050949	2	

# Pneumatic transfer unit

XTUT 320×320, 400×400

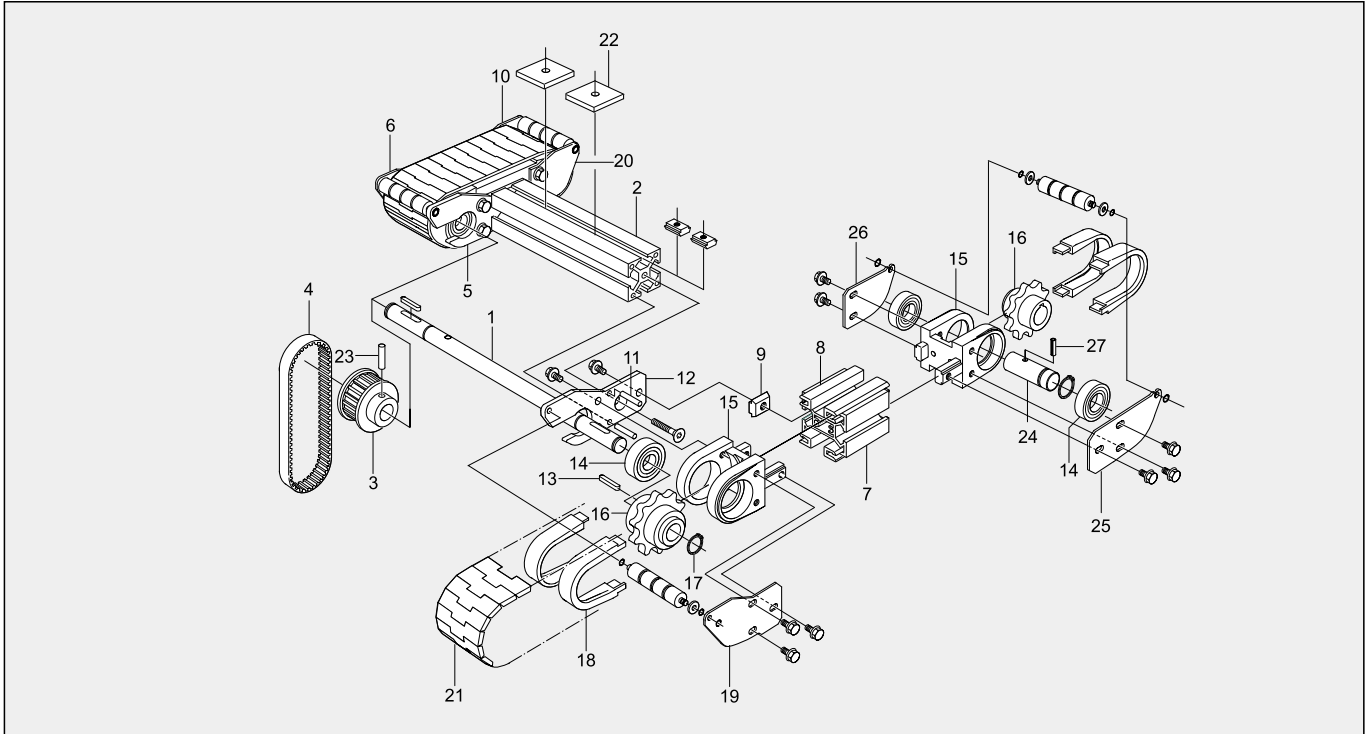


Item	Description	Part No	Qty	Comments
1	Adapter plate 320×320	5050947	1	
	Adapter plate 400×400	5050958	1	
2	Beam	5049274	4	
3	Bracket	5050944	2	
4	Bracket	5050946	2	
5	Connecting box	5050283	1	
6	Sliding element	5049279	2	
7	Sheet	5050864	1	

Item	Description	Part No	Qty	Comments
8	Shaft	5049278	1	
9	Washer	5049273	1	
10	Sleeve	5049277	1	
11	Mounting plate, 320	5049800	1	
	Mounting plate, 400	5050957	1	
12	Motor bracket, 320, 400	5049784	1	
13	Gear box, 320, 400	S9KB12.5BH		SPG
	Motor, 50 Hz, 320, 400	S9I40GXH		SPG
	Motor, 60 Hz, 320, 400	S9I40GEH		SPG
14	Belt wheel, 320, 400	5045610		
15	Set screw (included in item 15)	SK6SS M4x10 FZB	1	
16	Washer	5049400	1	
17	Flexiconnection	FK-M6	1	
18	Pneumatic cylinder	ADVU-40-6,5-P-A	1	Festo
19	Pneumatic cylinder	ADVU-40-14,5-P-A	1	Festo
20	Rod end	5049399	1	
21	Slide block	5049398	1	
22	L-fitting	QSML 1/8-6	4	
23	Sensor	SM-8-S-LED-24	1	
24	Drive kit, 290	5049869	1	
	Drive kit, 370	5050967	1	
25	Stop plate, 320	5050822	1	
	Stop plate, 400	5050823	1	
26	Guide, 320	5050825	1	
	Guide, 400	5050826	1	
27	Cover plate 320x320	5049792	1	
	Cover plate 400x400	5050956	1	
28	Slot nut	XFAN 5	16	
29	Cover plate, 320	5050950	2	
	Cover plate, 400	5050953	2	
30	Cover plate, 320	5050951	2	
	Cover plate, 400	5050954	2	
31	Cover plate, 320	5050952	2	
	Cover plate, 400	5050955	2	

# Drive kit

210



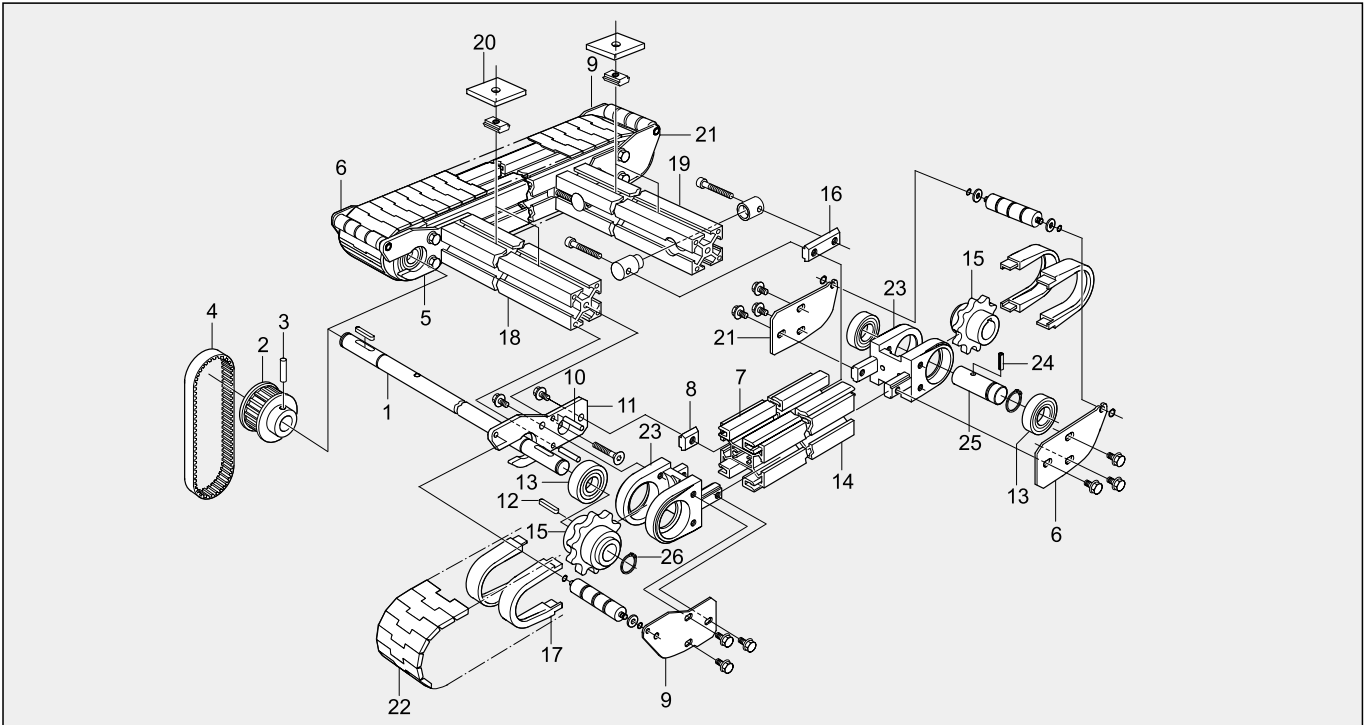
Item	Description	Part No	Qty	Comments
1	Drive shaft	5050960	1	
2	Spacer	5048836	1	
3	Belt wheel	5045611	1	
4	Tooth belt	PGGT 5MR-350-15	1	
5	Side plate right	5050163	1	
6	Side plate right	5050173	1	
7	Beam	5045025	2	
8	Slide rail	XTCR 25 U	8	Standard ✓
	Slide rail	XTCR 25 E	8	ISD ✓
9	Slot nut	XFAN 5	4	
10	Idler end right	5048449	1	
11	Tension pin	FRP 4x18	4	
12	Side plate	5050158	1	
13	Parallel key	SMS 2306-4x4-20	2	
14	Ball bearing	61901-2Z	6	
15	Idler end frame	5045254	2	
16	Drive wheel	5045258	4	
17	Retaining ring	SGA 12 DIN 471	4	
18	Guide	5045255	8	Order no. 5053710** ✓
19	Side plate	5050168	1	
20	Idler end left	5050181	1	
21	Plain chain	5045028	2	✓
	Plain chain ISD	5046328	2	✓
22	Washer	5049282	2	
23	Spring pin	FRP 4x24 DIN 7346	1	
24	Idler shaft	5045260	1	
25	Slide plate right	5050173	2	
26	Slide plate left	5048444	2	
27	Spring pin	PRYM 4x12 DIN 7343		

✓ = recommended spare part

\*\* Item 18 is delivered as a kit with order number 5053710 (contains 4 guides).

# Drive kit

290/370



Item	Description	Part No	Qty	Comments
1	.....Drive shaft 290.....	5050961	1	.....
	.....Drive shaft 370.....	5050962	1	.....
2	.....Belt wheel.....	5045611	1	.....
3	.....Spring pin.....	FRP 4x24	1	DIN 7346
4	.....Tooth belt.....	PGGT 5MR-350-15	1	.....
5	.....Side plate.....	5050163	1	.....
6	.....Side plate.....	5050173	1	.....
7	.....Slide rail.....	XTCR 25 U	8	Standard.....✓
	.....Slide rail.....	XTCR 25 E	8	ISD.....✓
8	.....Slot nut.....	XFAN 5	6	.....
9	.....Side plate.....	5050168	1	.....
10	.....Tension pin.....	FRP 4x18	4	.....
11	.....Side plate.....	5050158	1	.....
12	.....Parallel key.....	SMS 2306-4x4-20	2	.....
13	.....Ball bearing.....	61901-2Z	6	.....
14	.....Beam.....	5045025	2	Drive kit 290: Length 129 mm..... Drive kit 370: Length 211 mm.....
15	.....Drive wheel.....	5045258	4	.....
16	.....Fastener yoke.....	XFAF 30	2	.....
17	.....Guide.....	5045255	8	Order no. 5053710**.....✓
18	.....Spacer 30x30.....	5048836	1	.....
19	.....Spacer 30x30.....	5048895	1	.....
20	.....Washer.....	5049282	4	.....
21	.....Idler end unit.....	5046552	2	.....✓
22	.....Plain chain.....	5045028	2	.....✓
	.....Plain chain ISD.....	5046328	2	.....✓
23	.....Idler end frame.....	5045254	2	.....
24	.....Spring pin.....	PRYM 4x12 DIN 7343	1	.....
25	.....Idler shaft.....	5045260	1	.....
26	.....Retaining ring.....	SGA 12 DIN 471	4	.....

✓ = recommended spare part

\*\* Item 17 is delivered as a kit with order number 5053710 (contains 4 guides).



