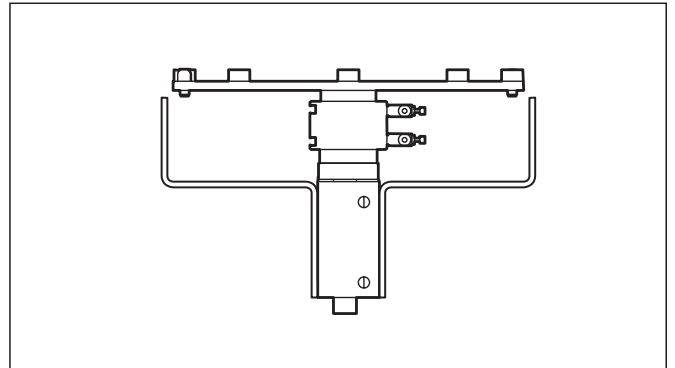




Lift-and-rotate unit XTPR P11

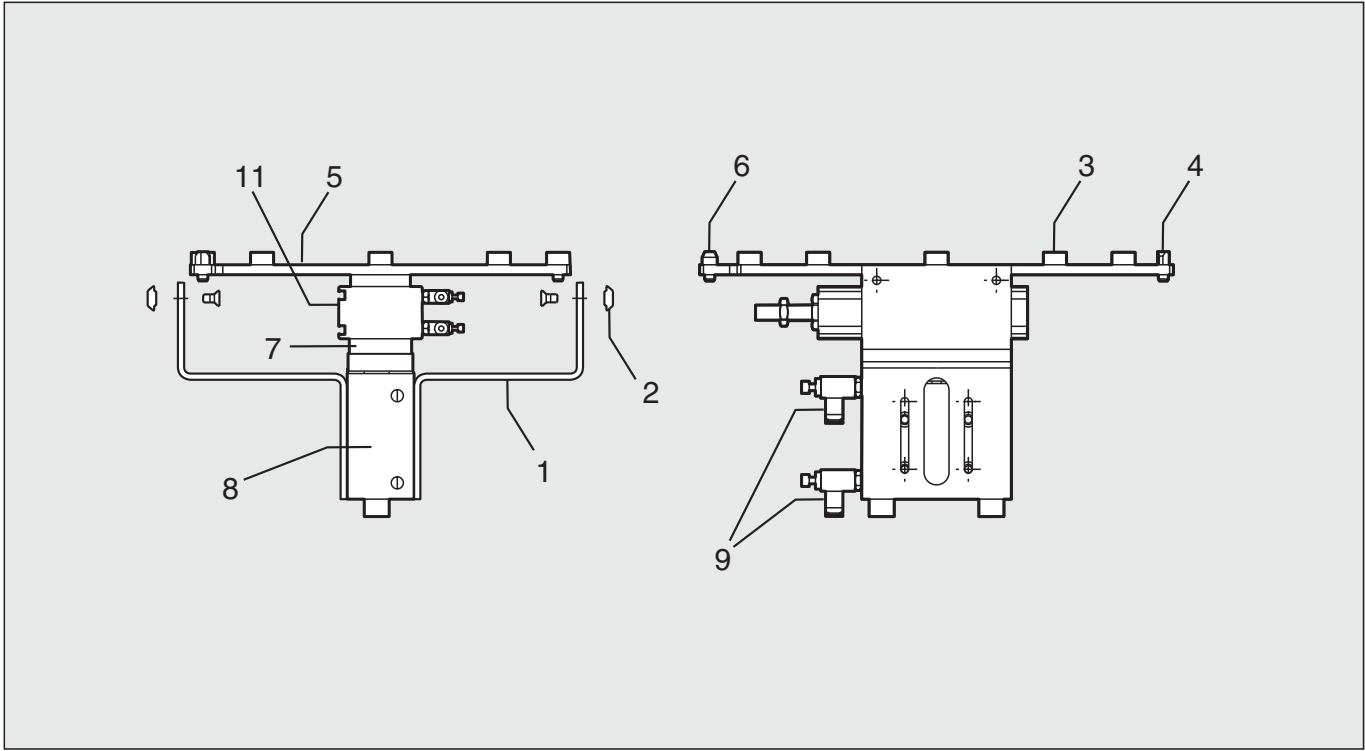
Table of contents

Lift-and-rotate unit XTPR PWxPL _____ 2



Lift-and-rotate unit

XTPR PW×PL



Item	Description	Part No	Qty	Comments
1	Bracket	5053468	2	
2	Slot nut, M6	XCAN 6/XFAN 6	4	Part no. depends on which beam size that is used.
3	Support, PW×PL <320×320	5053362	5	
	Support, PW×PL ≥320×320	5053362	9	
4*	Guide pin, square 18066	5049704	1	See note (*)
5	Plate	5052841 PW×PL	1	
6*	Guide pin, cylinder 18065	5049706	1	See note (*)
7	Adapter plate DFM-40	5053457	1	
8	Pneumatic cylinder	DFM-40-50PA-GF	1	
9	Back pressure valve	GRLA-1/8-QS-6-RS-B	2	
10	Back pressure valve	GRLA-M5-QS-6-RS-B	2	
11	Rotary actuator	DRQD-25-180-YSRJ-A-AL-FW	1	

* Delivered in kit with order no. 5053331.

Revision list

Document designation	Date	Type of revision	Entered by
XT008-E1	02-08-07	New version	Kristina Lindén, FL AB