



FlexLink®

Control box

5057246-02



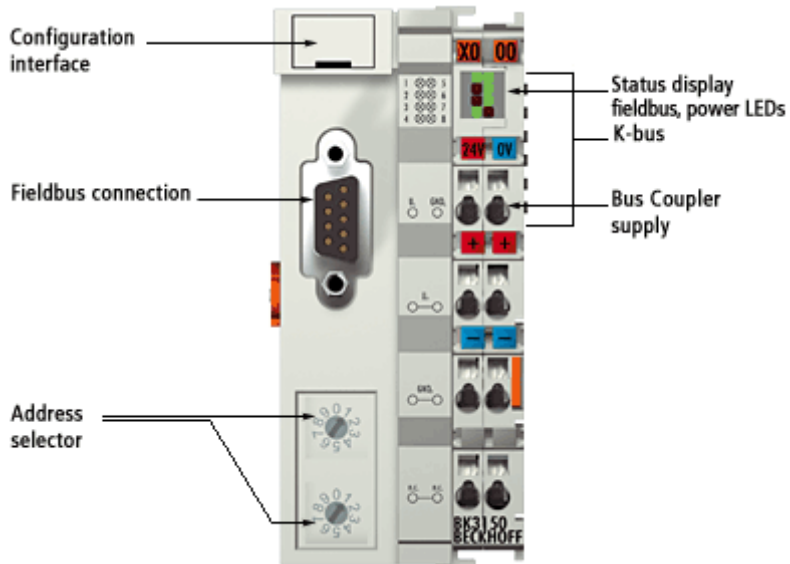
Electrical supply

Main

| | |
|------------------------|------------|
| Voltage | 400 V (AC) |
| Phases | 3 |
| Frequency | 50 Hz |
| Current | 6 A |
| Short-circuit capacity | 10kA |

Controls

| | |
|--------------------|---|
| Additional cables | Fieldbus Profibus + 24 V (DC) power supply |
| Fieldbus interface | Beckhoff, BK3150 www.beckhoff.com |



Drawings

| | | | | | | | | |
|---|--------------|---|---|---|---|--|---|------------------------------------|
| | 1 | 2 | 3 | 4 | 5 | 6 | 7 | 8 |
| A | Index 100 | | Layouts 101 102 | | | Circuit diagrams 301 310 311 312 325 400 401 440 | | External connections 510 511 |
| B | | | Cabinet builder layouts 111 112 113 114 115 116 | | | | | |
| C | | | | | | | | |
| D | | | | | | | | |
| E | | | | | | | | |

Dema rithing Er Flexlink egsendom. Skyddad enligt gällande lag.
 accordance with prevailing law. This drawing is the property of Flexlink. Protected in

| | | | |
|---|------|-------------|----------|
| Nr: | Date | Sign | Change |
| | | | |
|  | | | |
| Department | | FlexLink | |
| Customer | | - | |
| Drawn | FJN | Project No. | 7220283 |
| Appr. | | Date | 05-03-04 |
| Drawing No. | | 5057246 | |
| Sheet | 100 | Next | 101 |

8

7

6

5

4

3

2

1

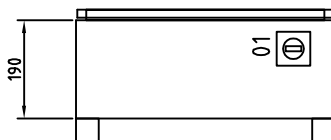
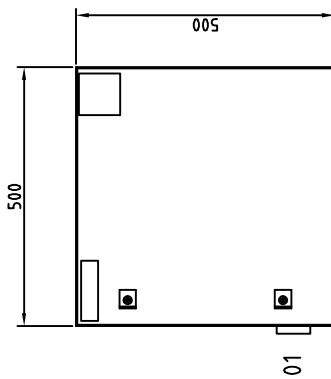
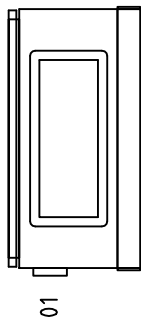
01. Q30102

- 10. Q31002
- 11. Q31003
- 12. Q31004
- 13. Q31005
- 14. Q31006
- 15. Q31007
- 16. X110
- 17. X120
- 18. X31006

- 20. T31103
- 21. T31105
- 22. Q31103
- 23. Q31105
- 24. K31104
- 25. K31106
- 26. X31103
- 27. X31104

- 31. K31203
- 32. K31204

- 40. A32501
- 41. A40001
- 42. A40101
- 43. A44001



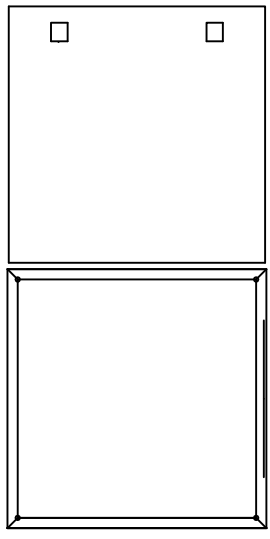
| Nr. | Date | Sign | Change |
|-----|------|------|--------|
| | | | |
| | | | |
| | | | |

| | |
|-------------------------------|------------------|
| Department FlexLink | |
| Customer | - |
| Drawn | FJN |
| Project No. | 7220283 |
| Date | 05-03-02 |
| Name | Layout, Exterior |

| | |
|-------------------------------|-----|
| Drawing No. 5057246 | |
| Sheet | 101 |
| Next | 102 |

1 2 3 4 5 6 7 8

- 01. Q30102
- 10. Q31002
- 11. Q31003
- 12. Q31004
- 13. Q31005
- 14. Q31006
- 15. Q31007
- 16. X110
- 17. X120
- 18. X31006
- 20. T31103
- 21. T31105
- 22. Q31103
- 23. Q31105
- 24. K31104
- 25. K31106
- 26. X31103
- 27. X31104
- 31. K31203
- 32. K31204
- 40. A32501
- 41. A40001
- 42. A40101
- 43. A44001

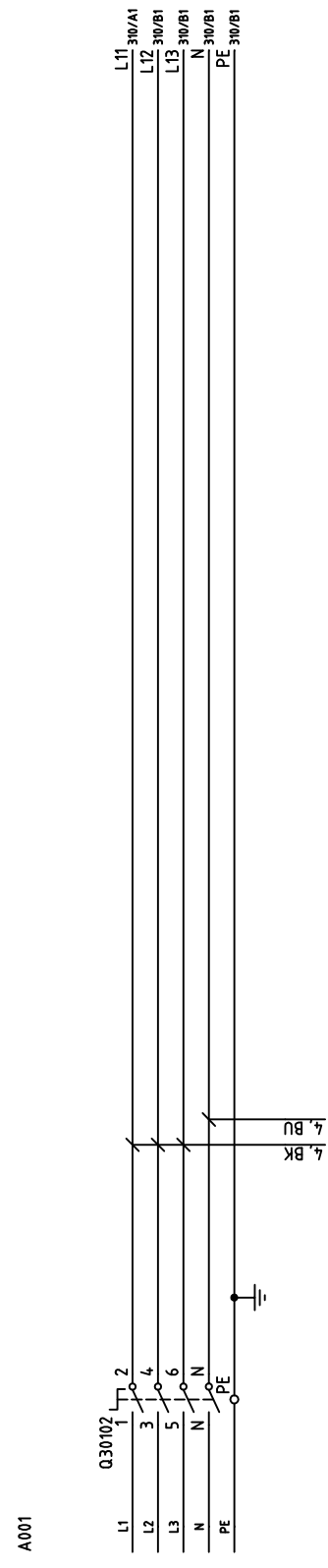


| Nr. | Date | Sign | Change |
|-----|------|------|--------|
| | | | |
| | | | |
| | | | |



| | |
|-------------|----------|
| Department | FlexLink |
| Customer | - |
| Drawn | FJN |
| Project No. | 7220283 |
| Date | 05-03-03 |

| | |
|-------------|---------|
| Drawing No. | 5057246 |
| Sheet | 102 |
| Next | 111 |

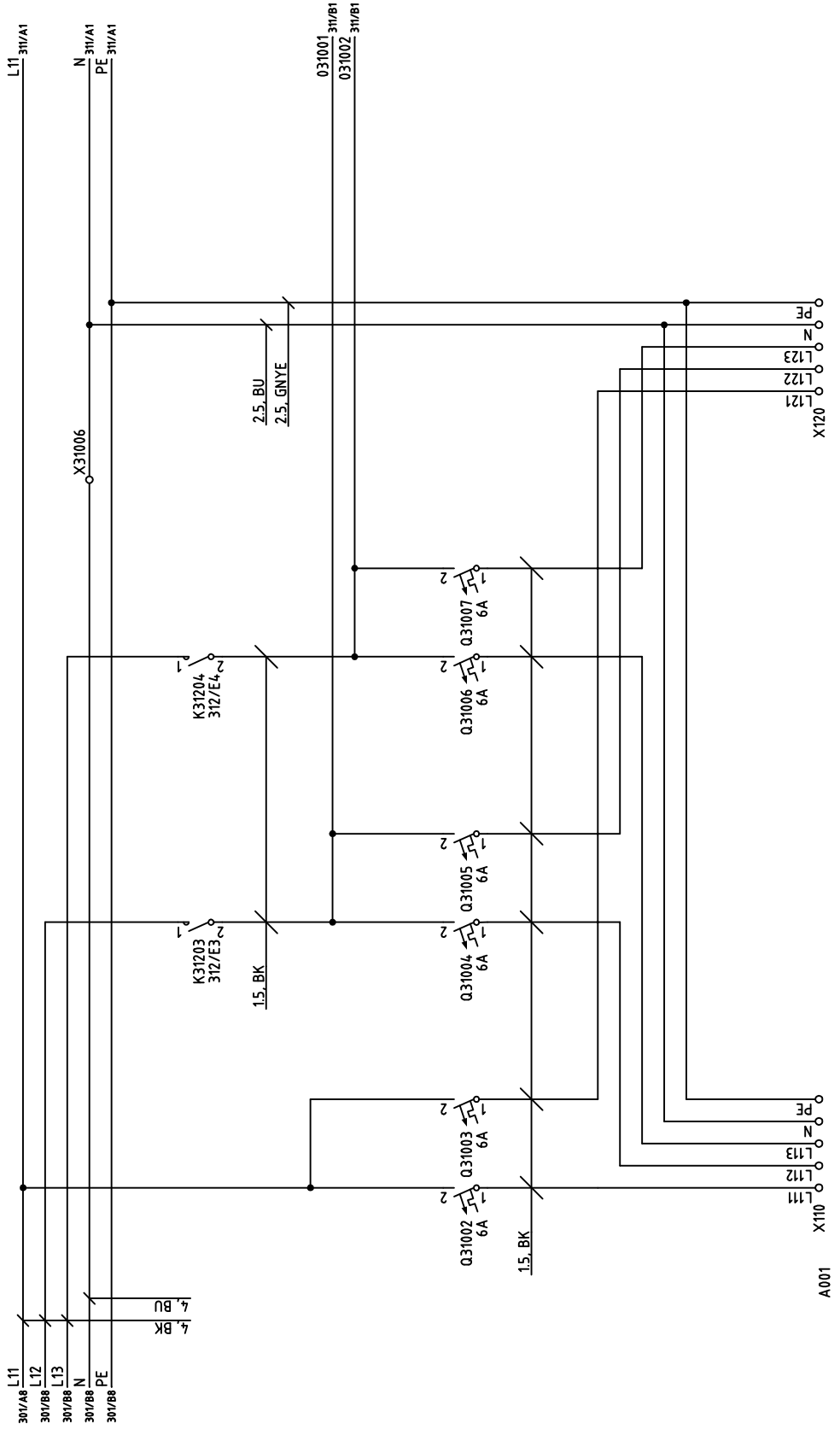


201L+ 201L+ 325/A1
 200L- 200L- 325/B1

Where nothing else is said: 0.75mm²

| Identification of wiring | |
|--|------------------|
| Earth conductors | GREEN-AND-YELLOW |
| Neutral conductors | BLUE |
| AC or DC power conductors | BLACK |
| AC control circuits | RED |
| DC control circuits | BLUE |
| Interlocking control circuits supplied from external power | ORANGE |

| | | | | | | |
|-----|------|------|--------|---|------------------------|------------------------|
| Nr. | Date | Sign | Change |  | Department FlexLink | Drawing No. 5057246 |
| | | | | | | |
| | | | | Customer | - | |
| | | | | Drawn | FJN | Project No. 7220283 |
| | | | | Appr. | | Date 05-03-07 |
| | | | | | | Name Incoming supply |
| | | | | | | Sheet 301 |
| | | | | | | Next 310 |

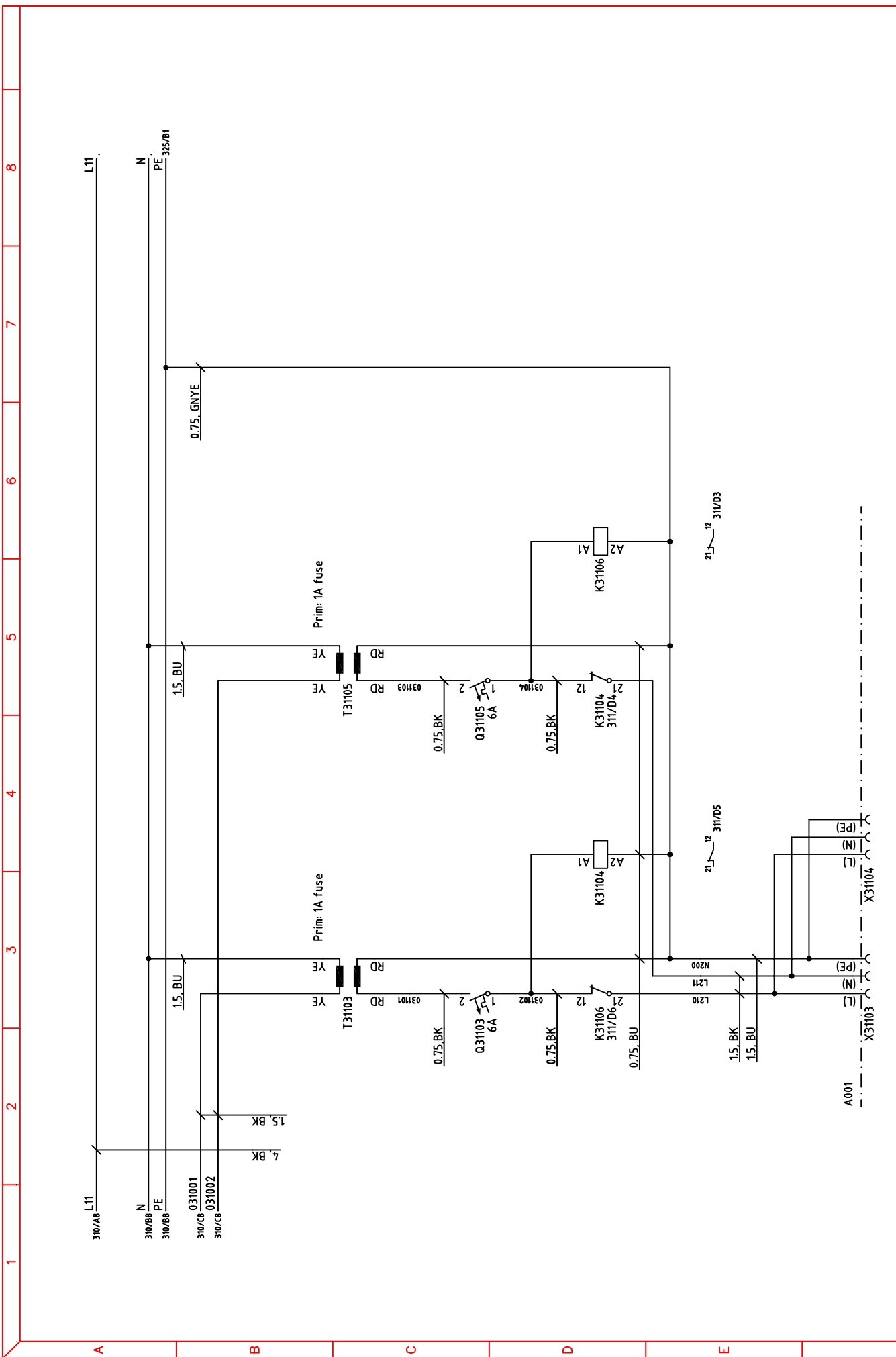


| No. | Date | Sign | Change |
|-----|------|------|--------|
| | | | |
| | | | |
| | | | |



| | |
|-------------|-------------|
| Department | FlexLink |
| Customer | - |
| Drawn | FJN |
| Project No. | 7220283 |
| Date | 05-03-08 |
| Name | Zone supply |

| | |
|-------------|---------|
| Drawing No. | 5057246 |
| Sheet | 310 |
| Next | 311 |



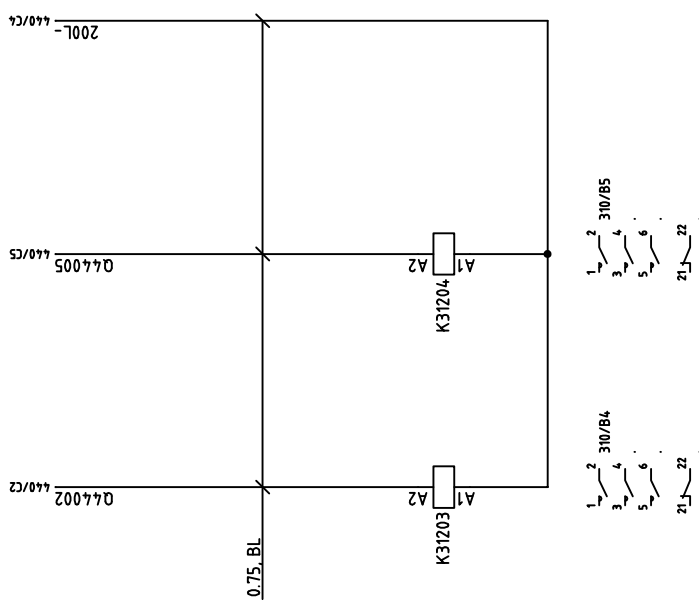
Demna rīnīng Ēr FlexLink ģenģm, Sīddad enīgt ģīlānde lāg.
 This drawing is the property of FlexLink. Protected in
 accordance with prevailing law.

| No. | Date | Sign | Change |
|-----|------|------|--------|
| | | | |
| | | | |
| | | | |

| | | | |
|---------------------|-------------------------------|-------------------------------|-------------------------------|
| FlexLink® | | Department FlexLink | Drawing No. 5057246 |
| | | Customer | |
| Drawn FJN | Project No. 7220283 | Name Branch supply | |
| Appr. | Date 05-03-08 | | Sheet 311 |
| | | | Next 312 |

1 2 3 4 5 6 7 8

A B C D E F



Dema rīnīng Īr Flexlink eģendom. Šķyddad enīgt gēllande log.
 This drawing is the property of Flexlink. Protected in
 accordance with prevailing law.

| Nr. | Date | Sign | Change |
|-----|------|------|--------|
| | | | |
| | | | |
| | | | |

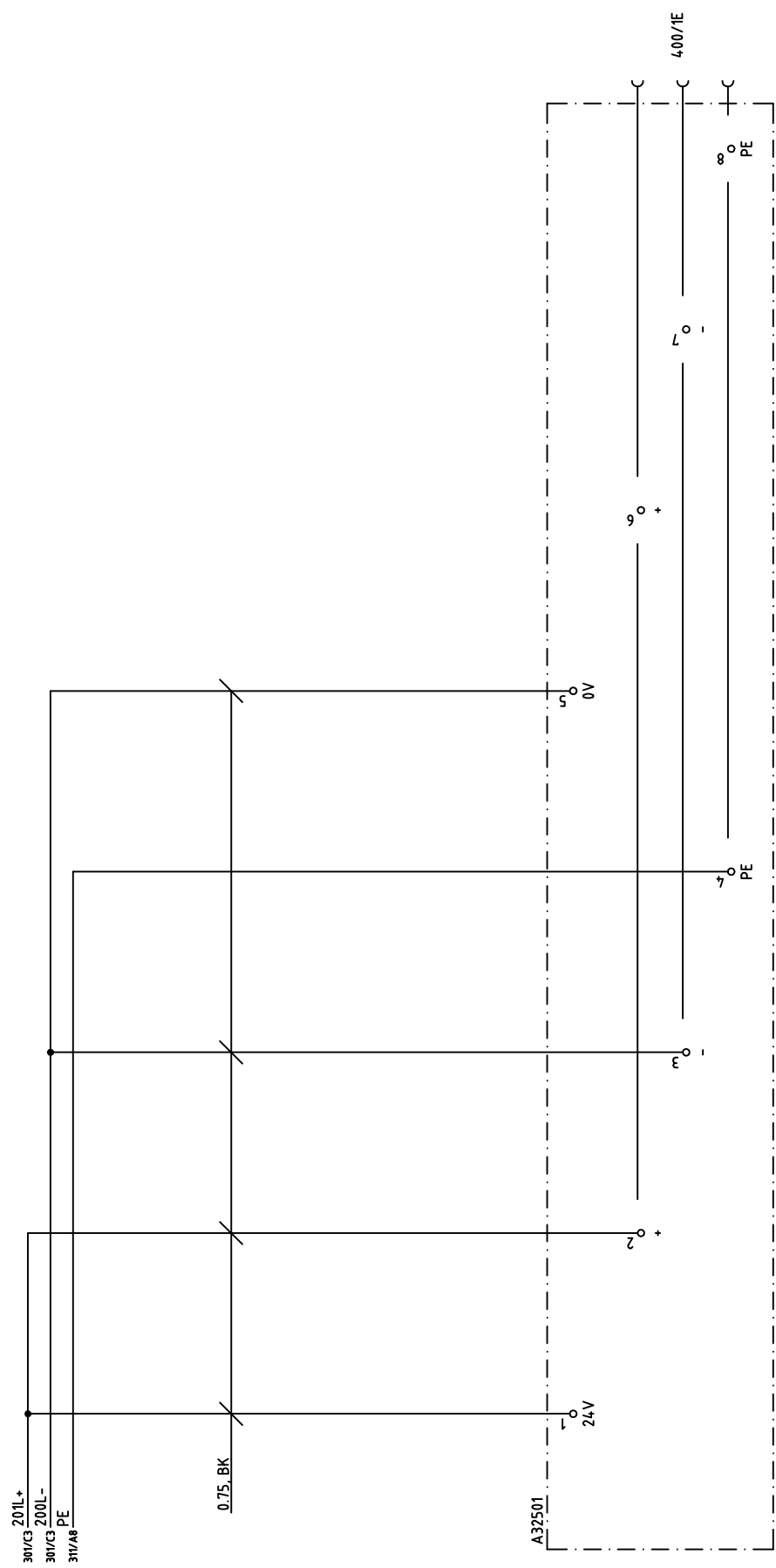


| | | |
|------------|-----|---------------------|
| Department | | FlexLink |
| Customer | | - |
| Drawn | FJN | Project No. 7220283 |
| Appr. | - | Date 05-03-08 |

| | | |
|-------------|-----|----------|
| Drawing No. | | 5057246 |
| Sheet | 312 | Next 325 |

1 2 3 4 5 6 7 8

A B C D E



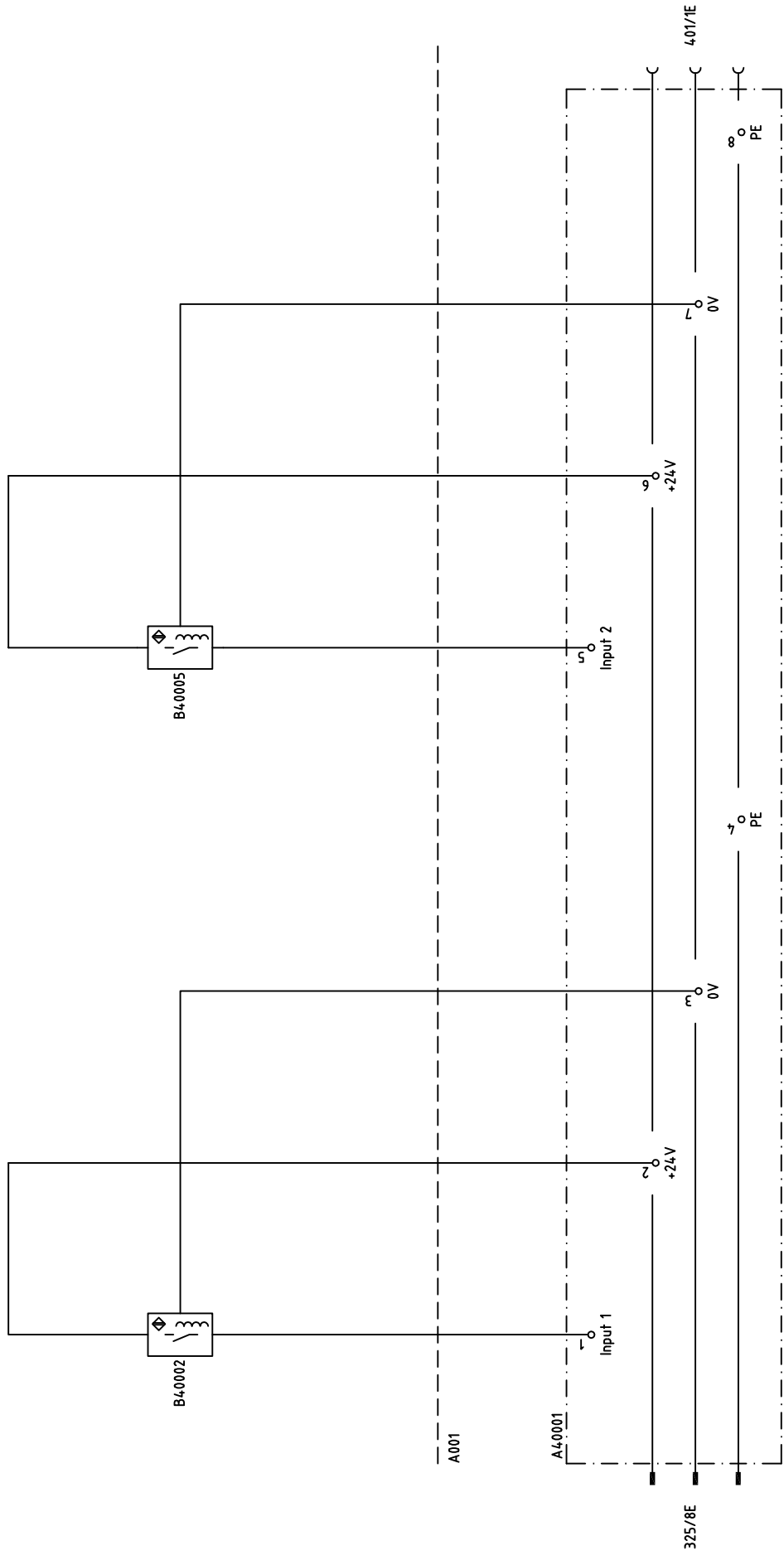
Demna ritning ir Flexlink egsdom. Skyddad enligt gillande lag.
 This drawing is the property of Flexlink. Protected in accordance with prevailing law.

| Nr. | Date | Sign | Change |
|-----|------|------|--------|
| | | | |
| | | | |
| | | | |



| | |
|-------------|----------|
| Department | FlexLink |
| Customer | - |
| Drawn | FJN |
| Project No. | 7220283 |
| Date | 05-03-25 |
| Appr. | - |

| | |
|-------------|---------------|
| Drawing No. | 5057246 |
| Sheet | 325 |
| Next | 400 |
| Name | Communication |



Reference sensor

Mode 1 sensor

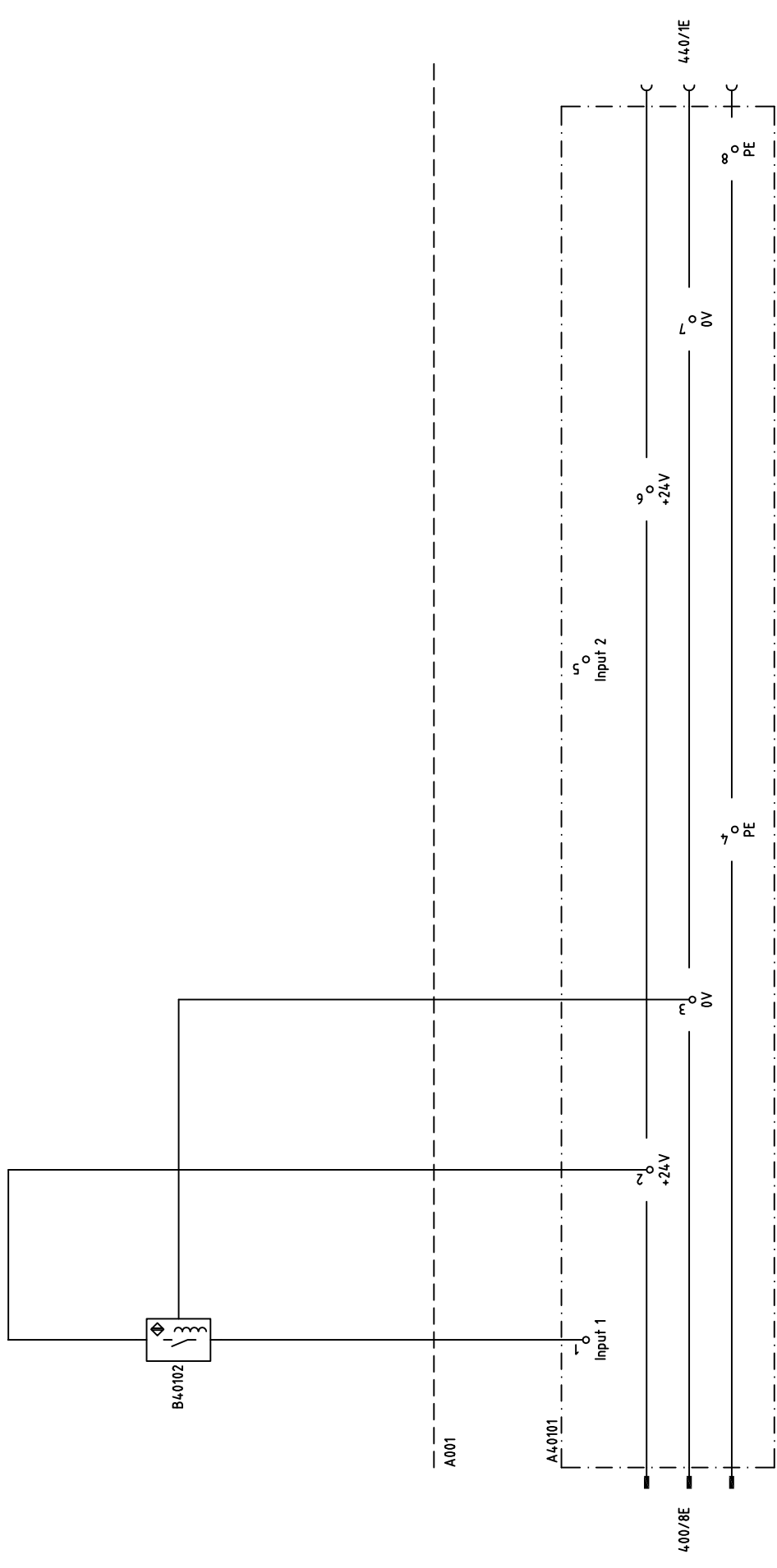
Demna ritning Īr Flexlink eġenhom. Skyddad enligt għilande lag.
 This drawing is the property of Flexlink. Protected in accordance with prevailing law.

| | | | |
|-----|------|------|--------|
| Nr. | Date | Sign | Change |
| | | | |
| | | | |
| | | | |



| | | |
|------------|-----|----------------------|
| Department | | FlexLink |
| Customer | | - |
| Drawn | FJN | Project No. 72200283 |
| Appr. | - | Date 05-03-25 |
| Name | | Inputs |

| | | |
|-------------|-----|----------|
| Drawing No. | | 5057246 |
| Sheet | 400 | Next 401 |



Mode 2
sensor

Spare

Demna rītning Ēr Flexlink eģenoms. Šķyddad enlīg gēllande log.
 This drawing is the property of Flexlink. Protected in
 accordance with prevailing law.

| | | | |
|-----|------|------|--------|
| Nr. | Date | Sign | Change |
| | | | |
| | | | |
| | | | |



| | |
|-------------|----------|
| Department | FlexLink |
| Customer | - |
| Drawn | FJN |
| Project No. | 7220283 |
| Date | 05-03-25 |
| Appr. | - |

| | |
|-------------|---------|
| Drawing No. | 5057246 |
| Sheet | 401 |
| Next | 440 |

1 2 3 4 5 6 7 8

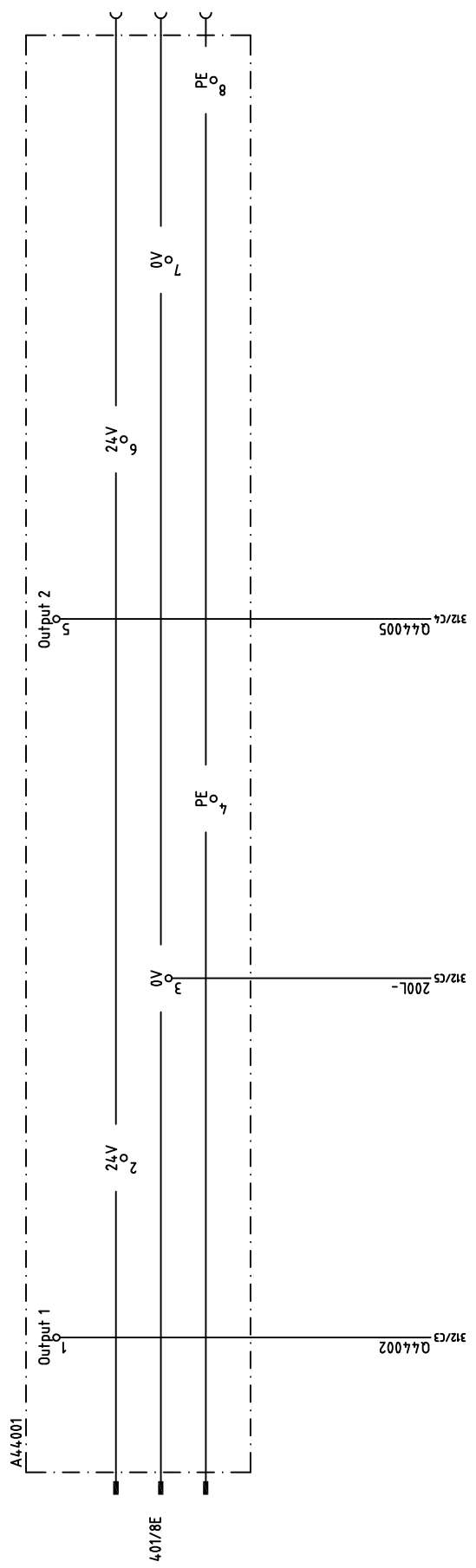
A

B

C

D

E



Motors
inwards

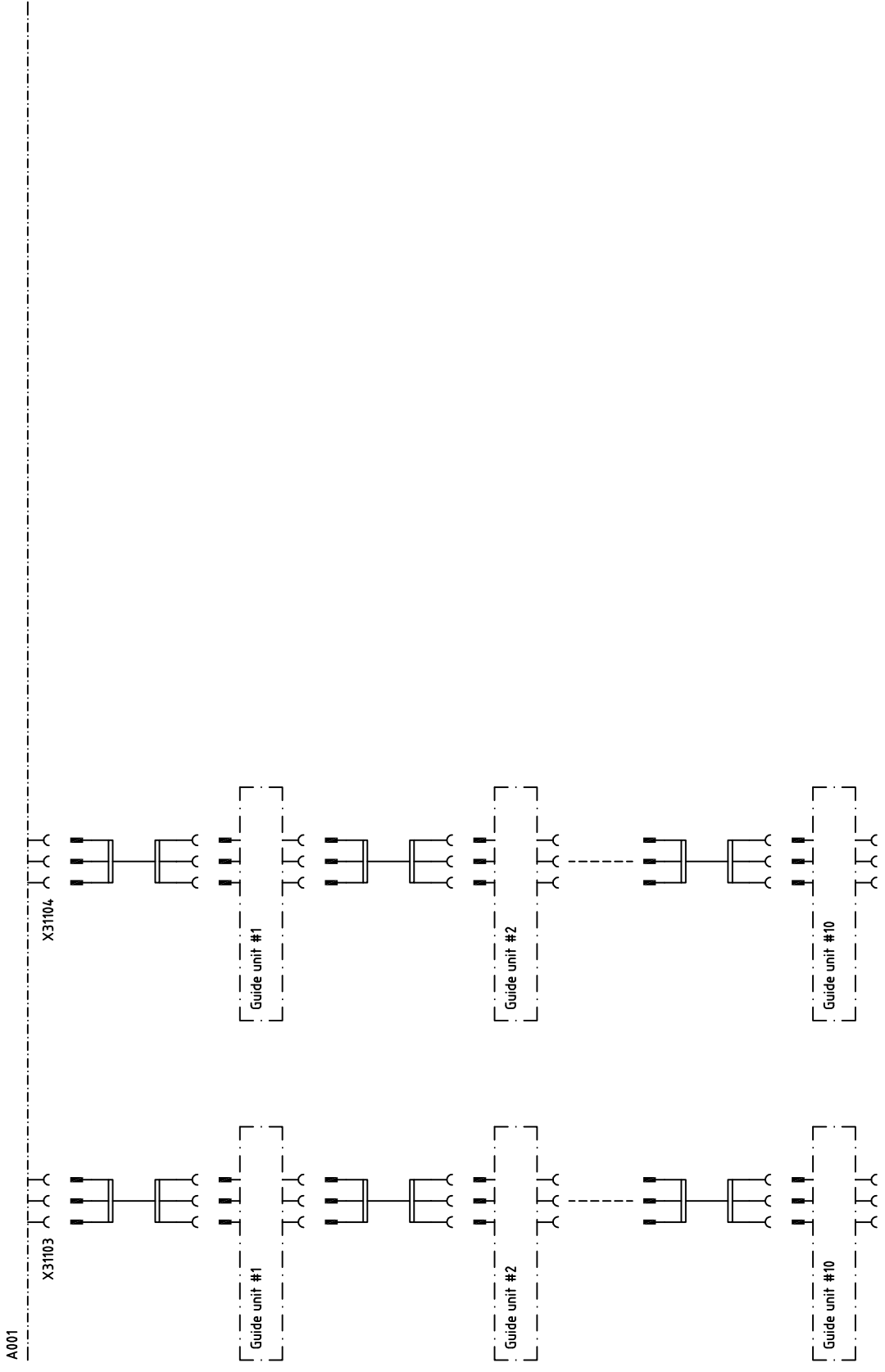
Motors
outwards

Demna ritning ĩr Flexlink eġenhom. Kyddad eniġ għilande log.
 This drawing is the property of Flexlink. Protected in
 accordance with prevailing law.

| | | | | | | | | | | | | | | | |
|-----|------|------|--------|---|--|--|--|------------|----------|-------------|----------|-------|---------|-------|-----|
| Nr. | Date | Sign | Change |  | | | | Department | FlexLink | Drawing No. | 5057246 | | | | |
| | | | | | | | | Customer | - | Project No. | 7220283 | Name | Outputs | Sheet | 440 |
| | | | | | | | | Drawn | FJN | Date | 05-04-06 | Appr. | - | Next | - |

1 2 3 4 5 6 7 8

A B C D E



Demna rītning Ēr Flexlink ēgšoms. Šķyddat enīgt gēllande log.
 This drawing is the property of Flexlink. Protected in
 accordance with prevailing law.

| No. | Date | Sign | Change |
|-----|------|------|--------|
| | | | |
| | | | |
| | | | |



| | |
|---------------------|---------------------|
| Department FlexLink | |
| Customer | - |
| Drawn FJN | Project No. 7220283 |
| Appr. | Date 04-12-09 |

| | |
|---------------------|-----------|
| Drawing No. 5057246 | |
| Name Branch supply | Sheet 511 |
| | Next - |