



FlexLink[®]

Control box

5057308-02



Electrical supply

Main

Voltage	400 V (AC)
Phases	3
Frequency	50 Hz
Current	6 A
Short-circuit capacity	10kA

Controls

Fieldbus interface/cables	Application dependent
Physical space	150 x 220 mm (H x W)

Control method

Control objects (see sheet 312):

- Contactor K31203, 24V_{DC}-coil, Power consumption 4.5 W
- Contactor K31204, 24V_{DC}-coil, Power consumption 4.5 W

Each contactor has one control wire connected. One 0V_{DC}-wire is connected to one contactor and bridged over to the second. Totally three wires shall be connected to the communication device selected by the integrator.

Hardwired control

Equipment:

- 3 feed-through terminals 2.5 mm²

Connect wires Q44002, Q44005 and 200L- to terminals.

Fieldbus control

Equipment:

- Fieldbus interface with two digital inputs
(-Digital inputs for feedback functionality)

Connect wires Q44002, Q44005 and 200L- to output module terminals.

Drawings

	1	2	3	4	5	6	7	8
A	Index 100		Layouts 101 102			Circuit diagrams 301 310 311 312		External connections 510 511
B			Cabinet builder layouts 111 112 113 114 115 116					
C								
D								
E								

Dema riting Er Flexlink egsendom. Skyddad enligt gällande lag.
 accordance with prevailing law.
 This drawing is the property of Flexlink. Protected in

Nr:	Date	Sign	Change		Department FlexLink	Drawing No. 5057308
					Drawn FJN	Project No. 7220283
					Appr.	Date 06-03-28
					Name Index	Sheet 100
						Next 101

8

7

6

5

4

3

2

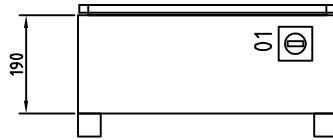
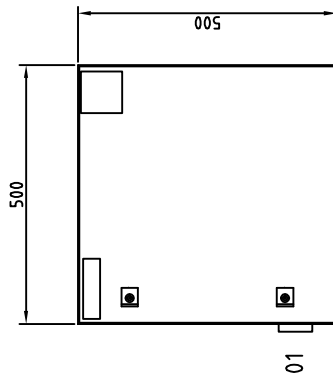
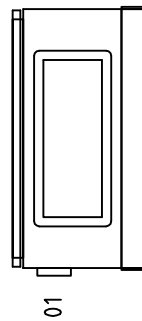
1

01. Q30102

- 10. Q31002
- 11. Q31003
- 12. Q31004
- 13. Q31005
- 14. Q31006
- 15. Q31007
- 16. X110
- 17. X120
- 18. X31006

- 20. T31103
- 21. T31105
- 22. Q31103
- 23. Q31105
- 24. K31104
- 25. K31106
- 26. X31103
- 27. X31104

- 31. K31203
- 32. K31204



Nr.	Date	Sign	Change



Department FlexLink	
Customer	-
Drawn	FJN
Project No.	7220283
Date	06-03-28

Drawing No.	
5057308	
Sheet	101
Next	102

Name Layout, Exterior

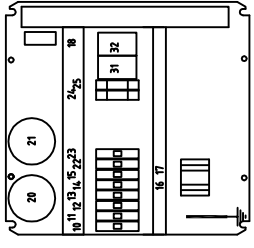
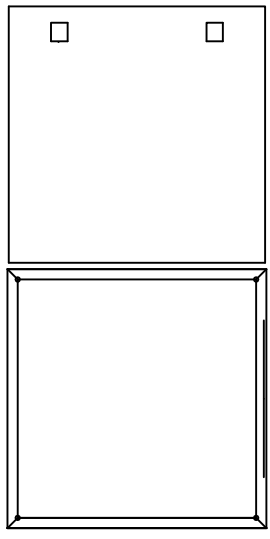
1 2 3 4 5 6 7 8

01. Q30102

- 10. Q31002
- 11. Q31003
- 12. Q31004
- 13. Q31005
- 14. Q31006
- 15. Q31007
- 16. X110
- 17. X120
- 18. X31006

- 20. T31103
- 21. T31105
- 22. Q31103
- 23. Q31105
- 24. K31104
- 25. K31106
- 26. X31103
- 27. X31104

- 31. K31203
- 32. K31204

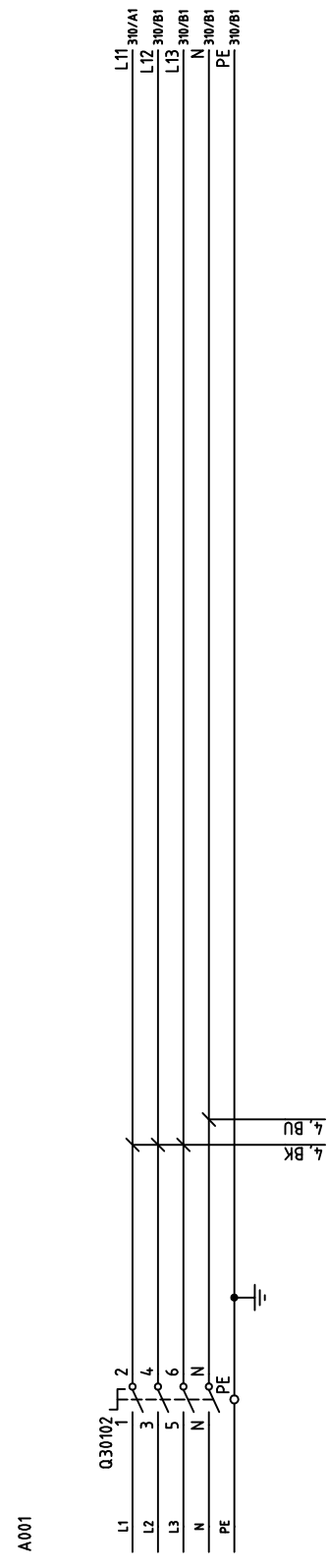


Nr.	Date	Sign	Change



Department FlexLink	
Customer	-
Drawn	FJN
Project No.	7220283
Date	06-03-28
Appr.	-

Drawing No.	
5057308	
Sheet	102
Next	111

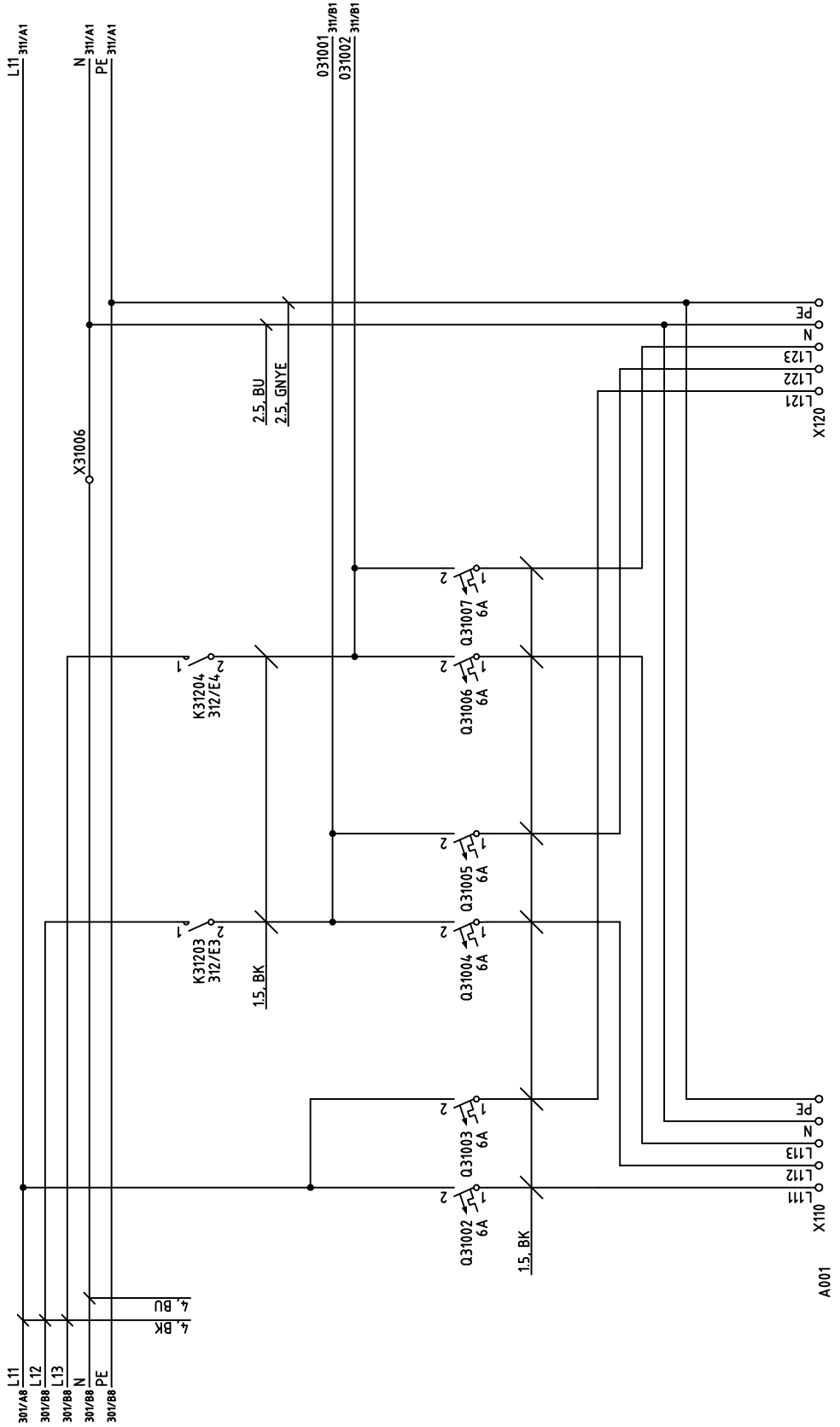


Where nothing else is said: 0.75mm²

Identification of wiring	
Earth conductors	GREEN-AND-YELLOW
Neutral conductors	BLUE
AC or DC power conductors	BLACK
AC control circuits	RED
DC control circuits	BLUE
Interlocking control circuits supplied from external power	ORANGE

Nr.	Date	Sign	Change

FlexLink®		Department FlexLink	Drawing No. 5057308
Customer -	Project No. 7220283	Name Incoming supply	Sheet 301
Drawn FJN	Date 06-03-28		Next 310
Appr.			



1 2 3 4 5 6 7 8

A B C D E F

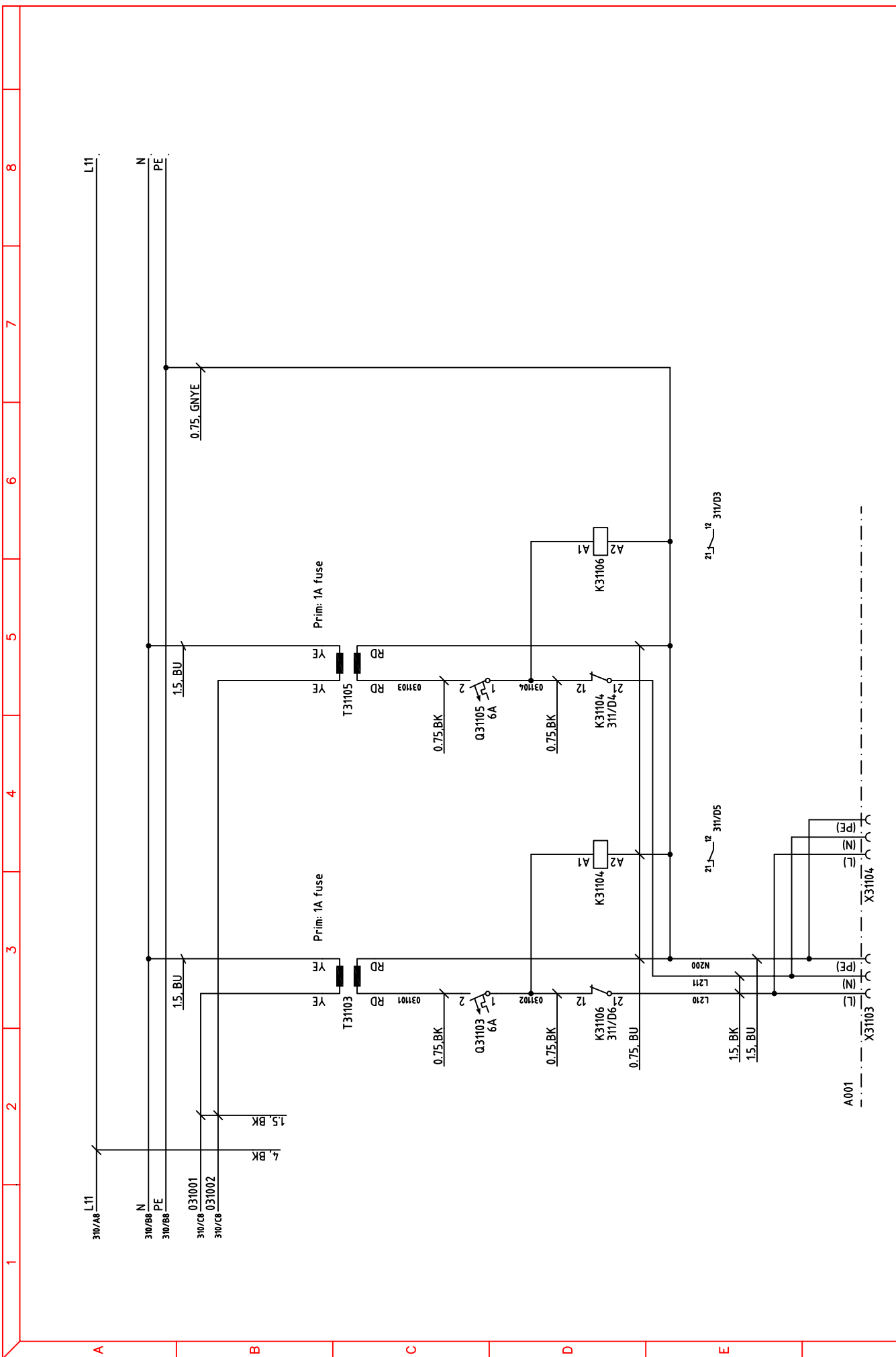
Denna ritning är FlexLink egendom. Skyddad enligt gällande lag.
 This drawing is the property of FlexLink. Protected in accordance with prevailing law.

No.	Date	Sign	Change




Department FlexLink	
Customer -	
Drawn FJN	Project No. 7220283
Appr.	Date 06-03-28
Name Zone supply	

Drawing No. 5057308	
Sheet 310	Next 311



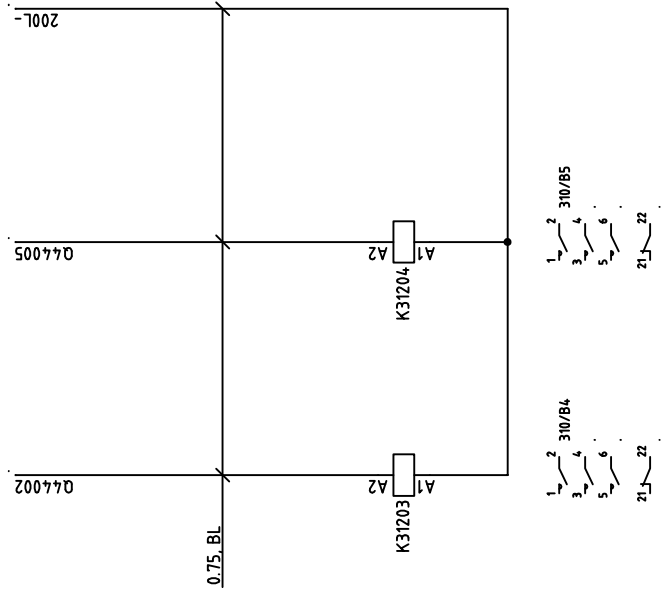
Dema riting Er Flexlink egendom. Skyddad enligt gillande lag.
 This drawing is the property of Flexlink. Protected in accordance with prevailing law.

Nr.	Date	Sign	Change

		Department FlexLink
Customer -	Drawing No. 5057308	
Drawn FJN Appr. -	Project No. 7220283 Date 06-03-28	Name Branch supply Sheet 311 Next 312

1 2 3 4 5 6 7 8

A B C D E F




Nr.	Date	Sign	Change



Department FlexLink	
Customer	-
Drawn	FJN
Project No.	7220283
Date	06-03-28
Appr.	-

Drawing No.	
5057308	
Sheet	312
Next	510

Nr.	Date	Sign	Change											Department FlexLink			Drawing No.											
																	Customer -			5057308								
																	Drawn FJN			Project No. 7220283			Name Zone supply			Sheet 510		
																	Appr.			Date 06-03-28			Next 511					

A001

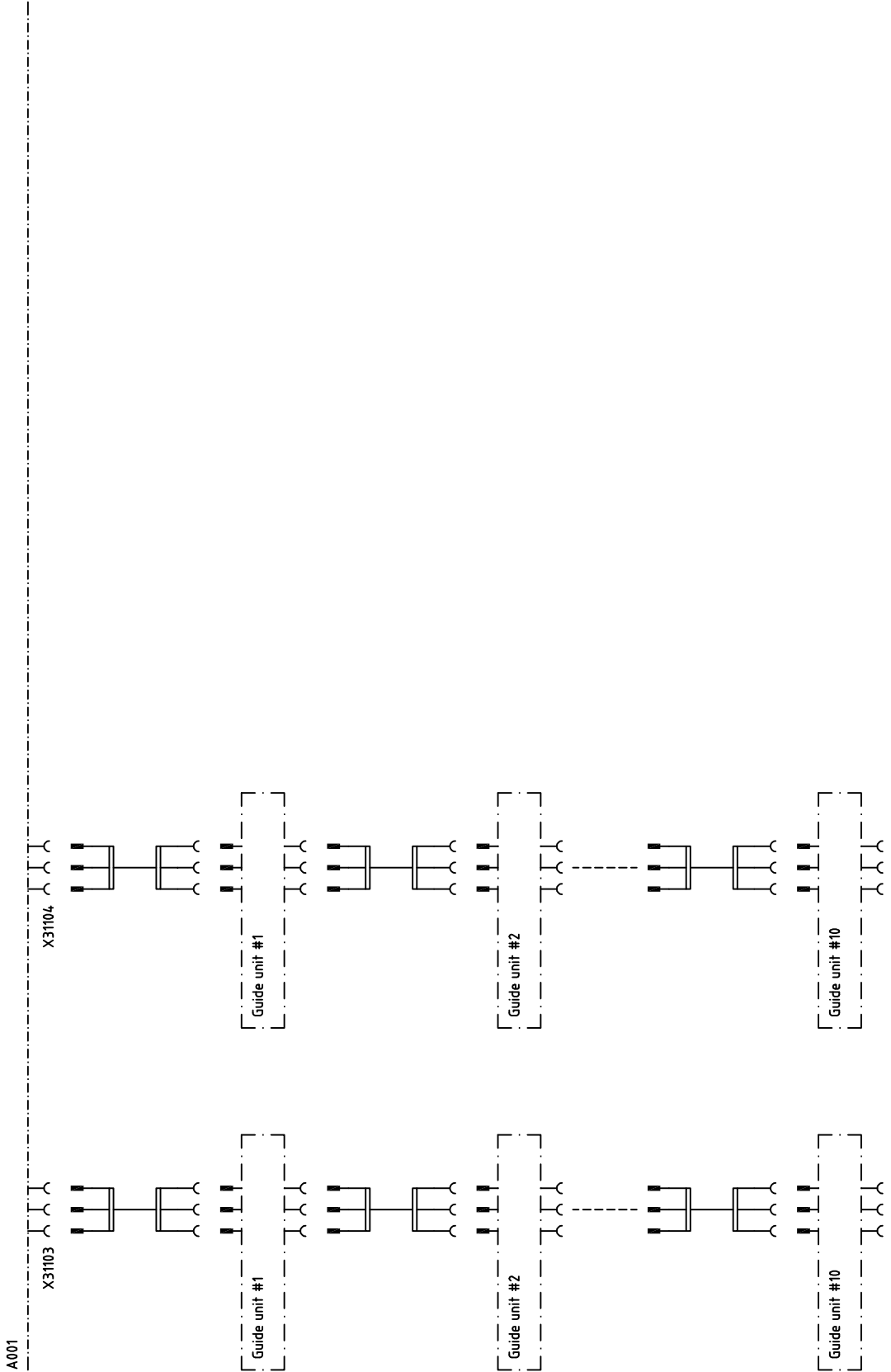
X120
L121
L122
L123
N
PE

X110
L111
L112
L113
N
PE

1 2 3 4 5 6 7 8 9 10 11 12 13

1 2 3 4 5 6 7 8

A B C D E F



Demna rītning Ēr Flexlink ēģendom. Skyddad enigt gēllande log.
 This drawing is the property of Flexlink. Protected in
 accordance with prevailing law.

Nr.	Date	Sign	Change



Department	FlexLink
Customer	-
Drawn	FJN
Project No.	7220283
Date	06-03-28
Name	Branch supply
Appr.	-

Drawing No.	5057308
Sheet	511
Next	-