

Conveyor system X180

Contents

System information.....	273	End drive units X180, direct drive, no slip clutch	280
Conveyor modules	274	End drive units X180, direct drive, slip clutch	280
Chains X180.....	275	End drive units X180, direct drive, slip clutch, guided.....	281
Chain accessories X180	276	End drive units X180, direct drive, no slip clutch, guided..	281
Beam components X180	276	Idlers X180.....	282
Beam accessories X180	277	Bridges.....	283
Slide rails X180	278	Plain bends X180	284
Drive and idler units – introduction	279	Vertical bends X180	285

System information



Chain X180



Features

Chain travels on four slide rails. Wide track sideflexing safety chain. Compact horizontal and vertical bends. Suitable for soft packages.

Examples of application areas

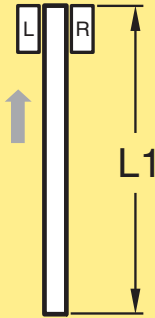
Large cardboard boxes, products in soft plastic bags. Examples: detergent powder, wrapped tissue paper rolls, food products, personal care products.

Technical characteristics

Drive unit capacity	1250 N	WK
Chain tension limit	1250 N	XC
Beam width	182 mm	XF
Chain width	175 mm	XD
Chain pitch.....	33,5 mm	ELV
Recommended item width	70–400 mm	SC
Maximum item weight.....	15 kg	FST
Maximum weight on conveyor	200 kg	TR
Maximum conveyor length.....	30 m	APX
Maximum permitted load per link	2,5 kg	IDX

Conveyor modules

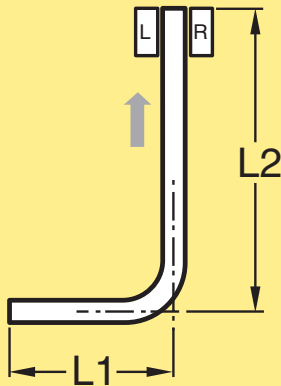
Straight conveyor



Conveyor module – straight * **5990226**

**Use online configurator when ordering*

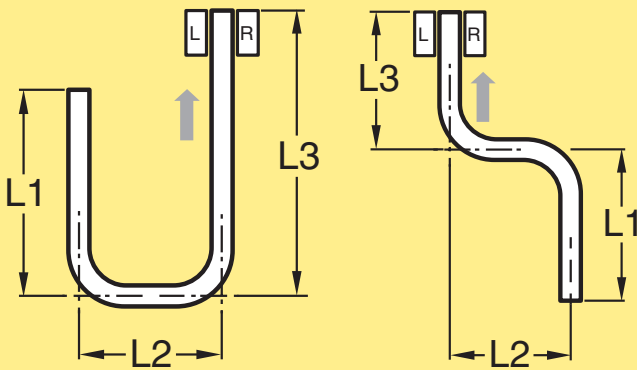
One bend conveyor



Conveyor module – one bend * **5990230**

**Use online configurator when ordering*








Two bend conveyor



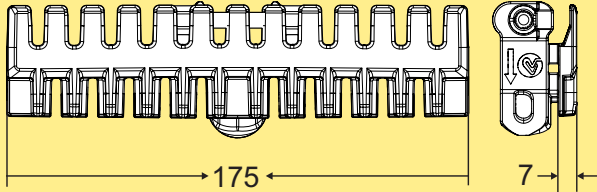
Conveyor module – two bends * **5990237**

**Use online configurator when ordering*

Support modules – single and multi-lane

	5995392	Single XB
	5995393	Multi single 2 lane
	5995394	Multi single 3 lane
	5995395	Multi single 4 lane
	5995396	Multi double 2 lane
	5995397	Multi double 3 lane
	5995398	Multi double 4 lane

Plain chain

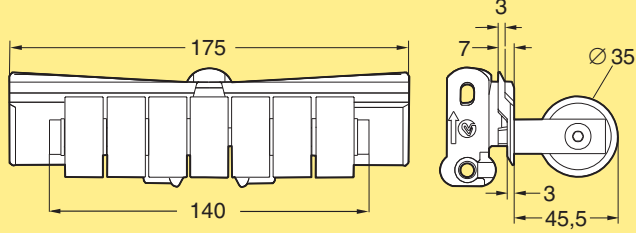


Plain chain
 Length 3 m **XBTP 3A180 K**
 Food & Wet applications **XBTPX 3A180 K**

Plain link kit * **FLX1004629**
 Food & Wet applications **5129849**

**Link kit contains 10 links, 10 pivots, 10 steel pins*

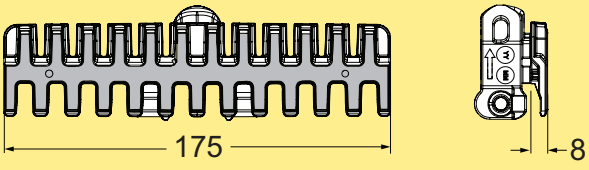
Roller cleat link



Roller cleat link **5056654**

Roller cleat chain must be ordered as plain chain plus desired number of roller cleat links. Cannot be ordered as chain.

Friction top chain



Friction top chain
 Length 3 m **XBTPX 3A180 K FA**

Friction top link kit* **FLX1009390**

**Link kit contains 10 links, 10 pivots, 10 steel pins.*

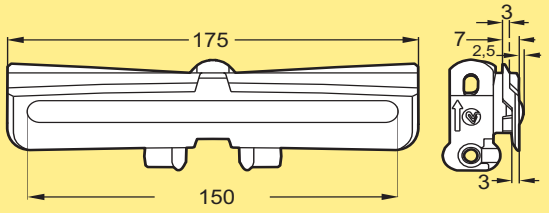
Other chains

See the *Chain guide* for a selection of other chains.

Chain installation

See Appendix "D. Chain installation" on page 530, for installation instructions.

Friction top chain



Friction top chain
 Length 3 m PAR 1 **XBTP 3A175 F**

Friction top chain
 Length 3 m PAR 2-20 **XBTP 3A175 FP**

Use the online configurator to specify and order.

Friction top link kit * **5056653**

**Link kit contains 10 links, 10 pivots, 10 steel pins*

Chain accessories X180

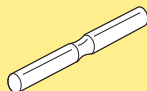
Plastic pivot



Plastic pivot X180-X300 kit
Each kit contains 25 items.

5111169

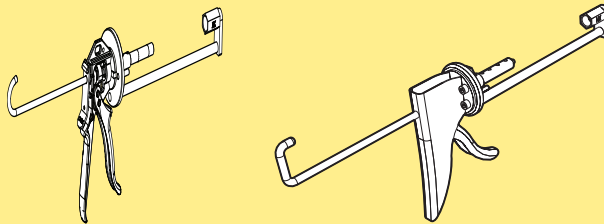
Steel pin



Steel pin -X180-X300 kit
Each kit contains 25 items.

5111172

Pin insertion tool for chain



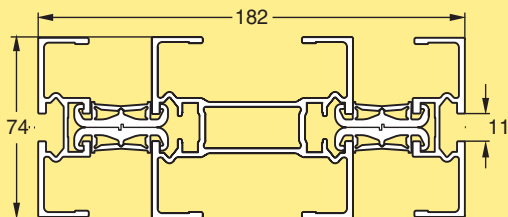
Pin insertion tool
X85-X180-X300
X85-X180-X300-XH, PRO version*

XMMJ 6
XBMJ 6 P

*This tool is recommended for frequent users

Beam components X180

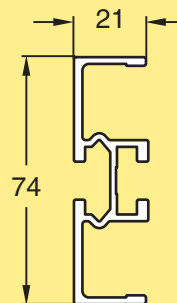
Beam section



Beam section (assembled)
Length 2995 ±1 mm **XBCB 3A180**
Length to order (160- 2995 mm) **XBCB LA180**

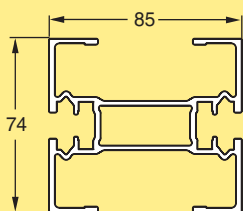
Slide rail: see page 278

Beam (outer section)



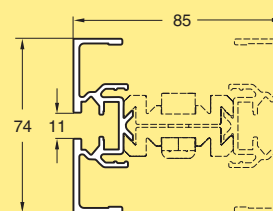
Beam (outer section)
Length 3000 +10/-0 mm **XBCB 3A H**
Length to order (500- 3000 mm) **XBCB LA H**

Beam (mid-section)



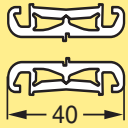
Beam (mid-section)
Length 3000 +10/-0 mm **XBCB 3A85**
Length to order (500- 3000 mm) **XBCB LA85**

Profile for split conveyor beam (inner section)



Profile for split conveyor beam
Length 3000 +10/-0 mm **XBCB 3A85 H**
Length to order (500- 3000 mm) **XBCB LA85 H**

Clip kit for outer beam sections



Snap-fit clip kit for outer beam sections
XBCE 40

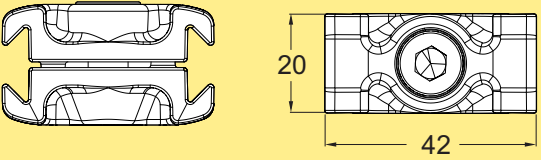
Each kit contains two clips. For construction of 182 mm wide beam sections. Mounting tool: see below. Maximum distance between clips is 0,5 m.

Mounting tool for clip kit



Mounting tool for aluminium clip kit XBCE 40
3923518

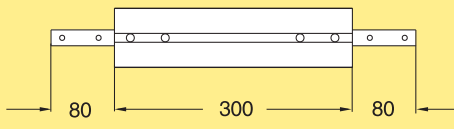
Beam clip assembly



Beam clip assembly
XBCE 42x20 A

Including M8 screw and locking nut. Use minimum 5 clips per meter. Place clips 100 mm from each end. Note. Contains 10 pcs..

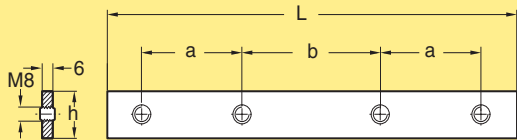
Beam section for chain installation



Beam section for chain installation Including connecting strips and screws
XBCC 300A

Beam accessories X180

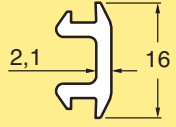
Connecting strip with set screws



Connecting strip with set screws
h=20, a=44, b=44, L=160
XSCJ 6x160

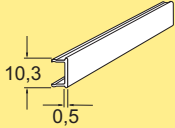
Note. Contains 10 pcs.

Cover strip for T-slot, PVC



Cover strip for T-slot
Length 25 m
Grey PVC
XCAC 25 P

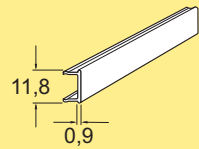
Cover strip for T-slot, PVC



Cover strip for T-slot, grey PVC
Length 3 m
XCAC 3 P

Note! Can't be used with bends

Cover strip for T-slot, aluminium



Cover strip for T-slot
Aluminium, anodized
Length 2 m
XCAC 2

Note! Can't be used with bends

Slide rails X180

Plastic slide rail for X180/X300 beam



Slide rail

Length 25 m

HDPE (Black)

PA-PE (Grey)

PVDF (Natural white)

PE-UHMW (White)

PE-UHMW (Blue)

PE-UHMW conductive (Black)

XBCR 25

XBCR 25 H

XBCR 25 P

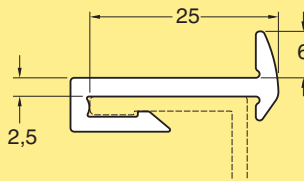
XBCR 25 U

XBCR 25 UL A

XBCR 25 E

See Appendix A, page 521 for selection guidelines and assembly instructions.

Plastic slide rail for X180/X300 beam, outer



Slide rail, outer

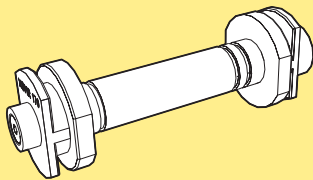
UHMW-PE ($\mu=0,1-0,25$) (White)

Length 3 m

XBCR 3 UA

See Appendix A, page 521 for selection guidelines and assembly instructions.

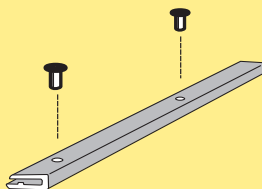
Mounting tool for slide rail



Mounting tool for slide rail (X85)

XBMR 170

Aluminium rivets

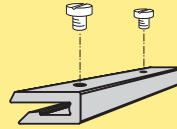


Aluminium rivets 4 mm for XK-X180-X300 conveyors, brown

XLAH 4x7

Extra slide rail in plain bends must be anchored using plastic screws due to lack of space for the rivet crimping tool.
Note. Contains 250 pcs..

Plastic screws for slide rail



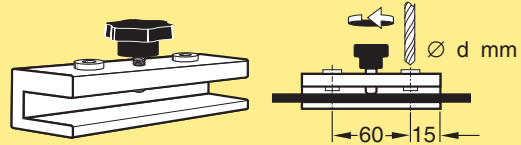
Plastic screws 5 mm for XS-X65-X85-XH-X180-X300 beams

XLAG 5

See mounting instruction "Anchoring slide rail using plastic screws" on page 526

Note. Contains 50 pcs.

Drill fixture for slide rail



Drill fixture for X65-X85-XH-XK-X180-X300 slide rail

d=4,2 mm

3920500

Rivet crimping pliers

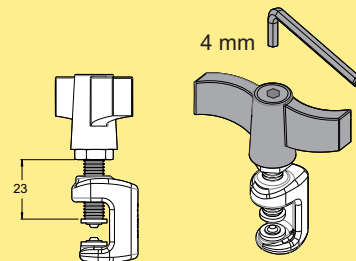


Rivet crimping pliers for X65-X85-XH-XK-X180-X300

For 4 mm rivets

5051395

Rivet crimping clamp



Rivet crimping clamp for X65-X85-XH-XK-X180-X300

For 4 mm rivets

(Allen key not included)

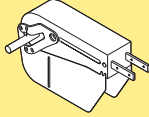
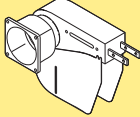
3923005

Drive unit types

The X180 system includes direct driven units with or without slip clutch.

Available motors include variable speed types (**V**) as well as fixed speed motors (**F**).

End drive units

Size	Direct drive, no slip clutch	Direct drive, slip clutch
		
Heavy	F, V	F, V
Heavy, guided	F, V	F, V

Motor specifications

Motors are available for 230/400 V, 50 Hz and 230/460 V or 330/575 V, 60 Hz. All motors can be connected for delta or star configuration by means of jumpers.

Variable speed motors are SEW Movimot, 380–500 V. Note that variable speed motors include a control box that adds 93 mm to the width of the motor.

Ordering information

Drive units with motors must be specified using the web-based configurator. The configurator provides detailed information and step-by-step guidance in the specification process. A product code string is generated, containing the specification details. See next page for examples of code strings.

Drive units *without* motors can be ordered using the designations in the catalogue.

Dimension drawings in catalogue

Note that dimensions relating to drive unit motors depend on the motor specified during the configuration. In most cases, the motors shown in the catalogue drawings represent the largest size. If variable speed motors are used, some dimensions may increase, indicated by dimension values xxx (V: yyy). V represents the max dimension using variable speed motor.

PO

CC

X45

XS

X65

X65P

X85

X85P

XH

XK

XKP

X180

X300

GR

CS

XT

HU

WL

WK

XC

XF

XD

ELV

SC

FST

TR

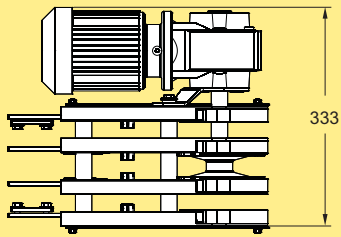
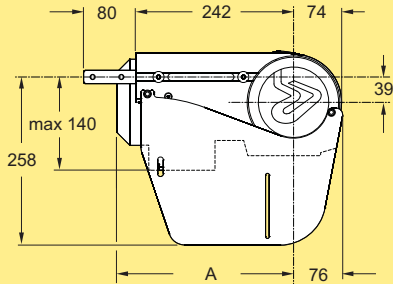
APX

IDX

End drive units X180, direct drive, no slip clutch

End drive units X180, direct drive, slip clutch

End drive unit, direct drive



End drive unit, direct drive
 Fixed speed up to 60 m/min
 Variable speed up to 80 m/min
 Motor on left side
 Fixed/variable speed *
 Without motor

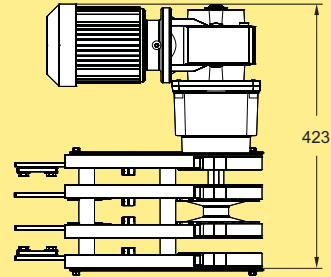
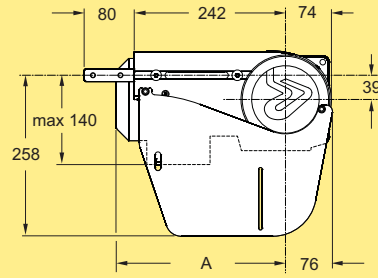
XBEB A180
XBEB 0A180HNLP

Motor on right side
 Fixed/variable speed *
 Without motor

XBEB A180
XBEB 0A180HNRP

Maximum traction force: 1250 N. See page 22.
 Effective track length: 0,80 m
 *Use online configurator when ordering.

End drive unit, direct drive, slip clutch



End drive unit, direct drive
 Fixed speed up to 60 m/min
 Variable speed up to 80 m/min
 Motor on left side
 Fixed/variable speed *
 Without motor

XBEB A180
XBEB 0A180HLP

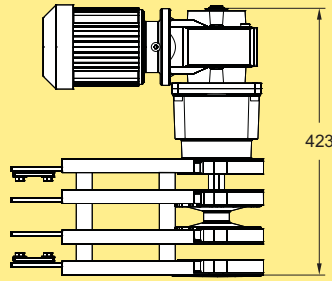
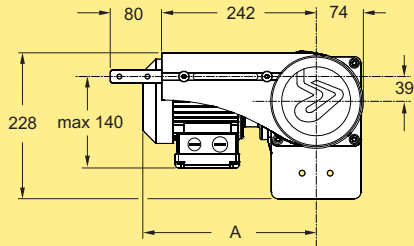
Motor on right side
 Fixed/variable speed *
 Without motor

XBEB A180
XBEB 0A180HRP

Maximum traction force: 1250 N. See page 22.
 Effective track length: 0,80 m
 *Use online configurator when ordering.

End drive units X180, direct drive, slip clutch, guided

End drive unit H, guided chain, slip clutch



End drive unit

Direct drive with guided chain. Adjustable slip clutch.
 Maximum traction force: up to 1250 N.
 Fixed speeds up to 60 m/min.
 Variable speed up to 80 m/min.

Motor on left side:

Fixed/variable speed * **XBEB A180**
 Without motor **XBEB 0A180HLGP**

Motor on right side:

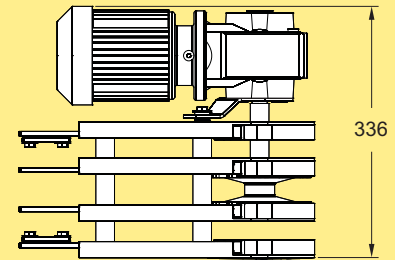
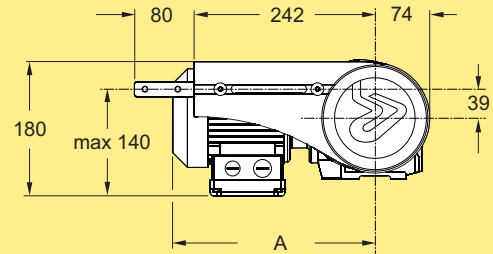
Fixed/variable speed * **XBEB A180**
 Without motor **XBEB 0A180HRGP**

**Use online configurator when ordering.*

Effective track length: 0,80 m

End drive units X180, direct drive, no slip clutch, guided

End drive unit H, guided chain, no slip clutch



End drive unit

Direct drive with guided chain. No slip clutch.
 Maximum traction force: up to 1250 N.
 Fixed speeds up to 60 m/min.
 Variable speed up to 80 m/min.

Motor on left side:

Fixed/variable speed * **XBEB A180**
 Without motor **XBEB 0A180HNLGP**

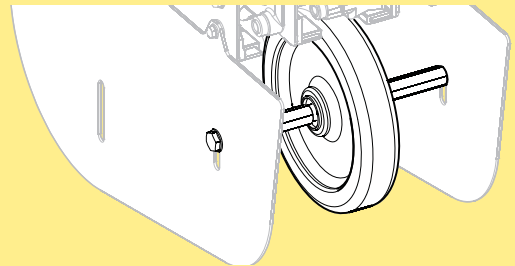
Motor on right side:

Fixed/variable speed * **XBEB A180**
 Without motor **XBEB 0A180HNRGP**

**Use online configurator when ordering.*

Effective track length: 0,80 m

Guide wheel kit 180

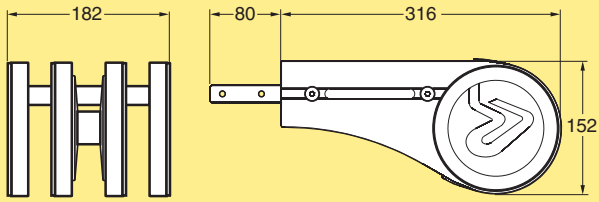


Guide wheel for drive units **5114932**

*Including wheel, shaft and mounting hardware.
 Note. Can only be used with plain chain. For use in high speed operation (60 m/min and above) or use for a more quiet operation at lower speed.*

PO
 CC
 X45
 XS
 X65
 X65P
 X85
 X85P
 XH
 XK
 XKP
X180
 X300
 GR
 CS
 XT
 HU
 WL
 WK
 XC
 XF
 XD
 ELV
 SC
 FST
 TR
 APX
 IDX

Idler end unit

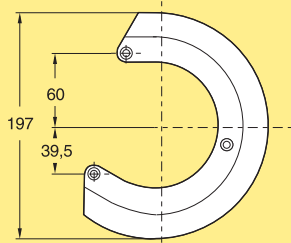


Idler end unit

XBEJ A180

Effective track length: 0,80 m

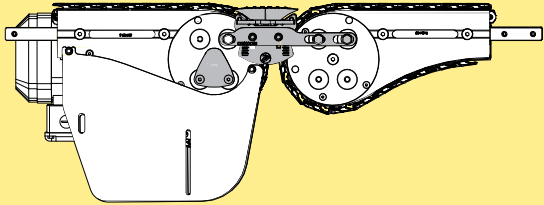
Protective cover for idler end unit



Protective cover for idler end unit

XBSJ 197A180

Passive bridge from conveyor to conveyor




*Passive bridge** **XBNG A180**

From: Heavy Drive To: Heavy Idler

** Use online configurator when ordering.*

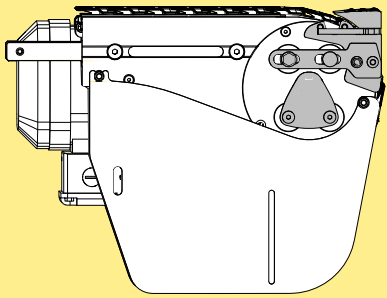
Attachment wire



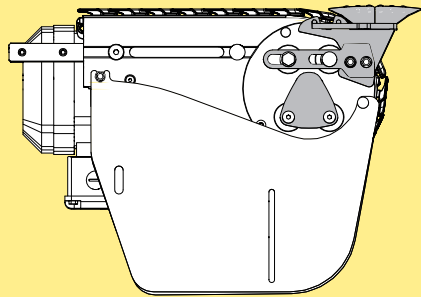
Wire for attaching roller to holder **FLX1006041**

**Also available as a configuration option through XBNG A180.*

Passive bridge to or from machine or application, Single or double rollers



(1)



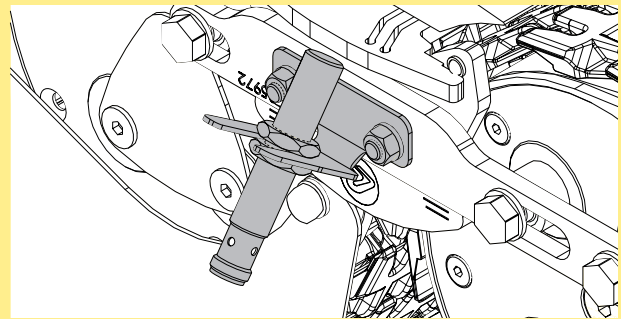
(2)

*Passive bridge**
Single roller (1) or Double roller (2) **XBNG A180**

From: Heavy Drive To: External
External To: Heavy Idler

** Use online configurator when ordering.*

Sensor Kit



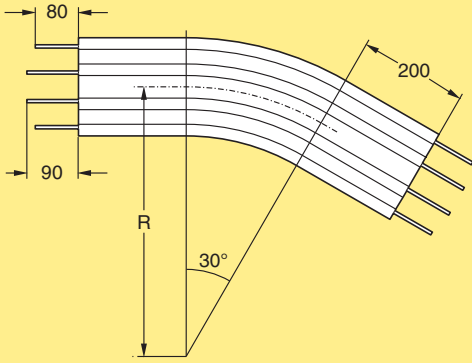
Bridge in position sensor kit
Conveyor to conveyor **FLX1006042**
External to/from Conveyor **FLX1006044**

**Also available as a configuration option through XBNG A180.
Includes: Bracket & PNP sensor (NO), M12xL=70mm, M12 connector. No cables.*

**Note*
Bridges can not be used with cleated chain.

Plain bends X180

Plain bend, 30°



Plain bend, 30°±1°

R=500±10 mm

R=700±10 mm

R=1000±10 mm

XBBP 30A180R5
XBBP 30A180R7
XBBP 30A180R10

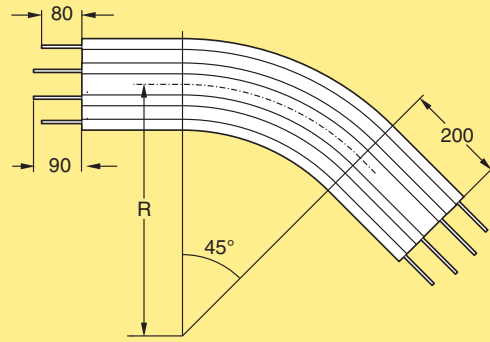
Effective track lengths:

R500: 1,35 m (top+bottom)

R700: 1,55 m (top+bottom)

R1000: 1,85 m (top+bottom)

Plain bend, 45°



Plain bend, 45°±1°

R=500±10 mm

R=700±10 mm

R=1000±10 mm

XBBP 45A180R5
XBBP 45A180R7
XBBP 45A180R10

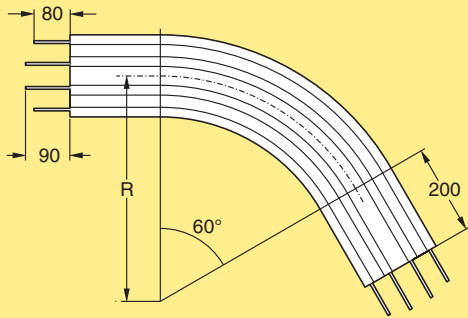
Effective track lengths:

R500: 1,60 m (top+bottom)

R700: 1,90 m (top+bottom)

R1000: 2,40 m (top+bottom)

Plain bend, 60°



Plain bend, 60°±1°

R=500±10 mm

R=700±10 mm

R=1000±10 mm

XBBP 60A180R5
XBBP 60A180R7
XBBP 60A180R10

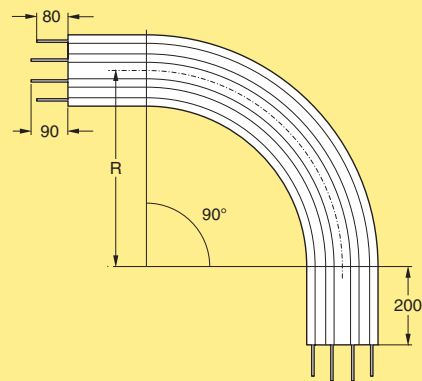
Effective track lengths:

R500: 1,85 m (top+bottom)

R700: 2,30 m (top+bottom)

R1000: 2,90 m (top+bottom)

Plain bend, 90°



Plain bend, 90°±1°

R=500±10 mm

R=700±10 mm

R=1000±10 mm

XBBP 90A180R5
XBBP 90A180R7
XBBP 90A180R10

Effective track lengths:

R500: 2,40 m (top+bottom)

R700: 3,00 m (top+bottom)

R1000: 3,95 m (top+bottom)

