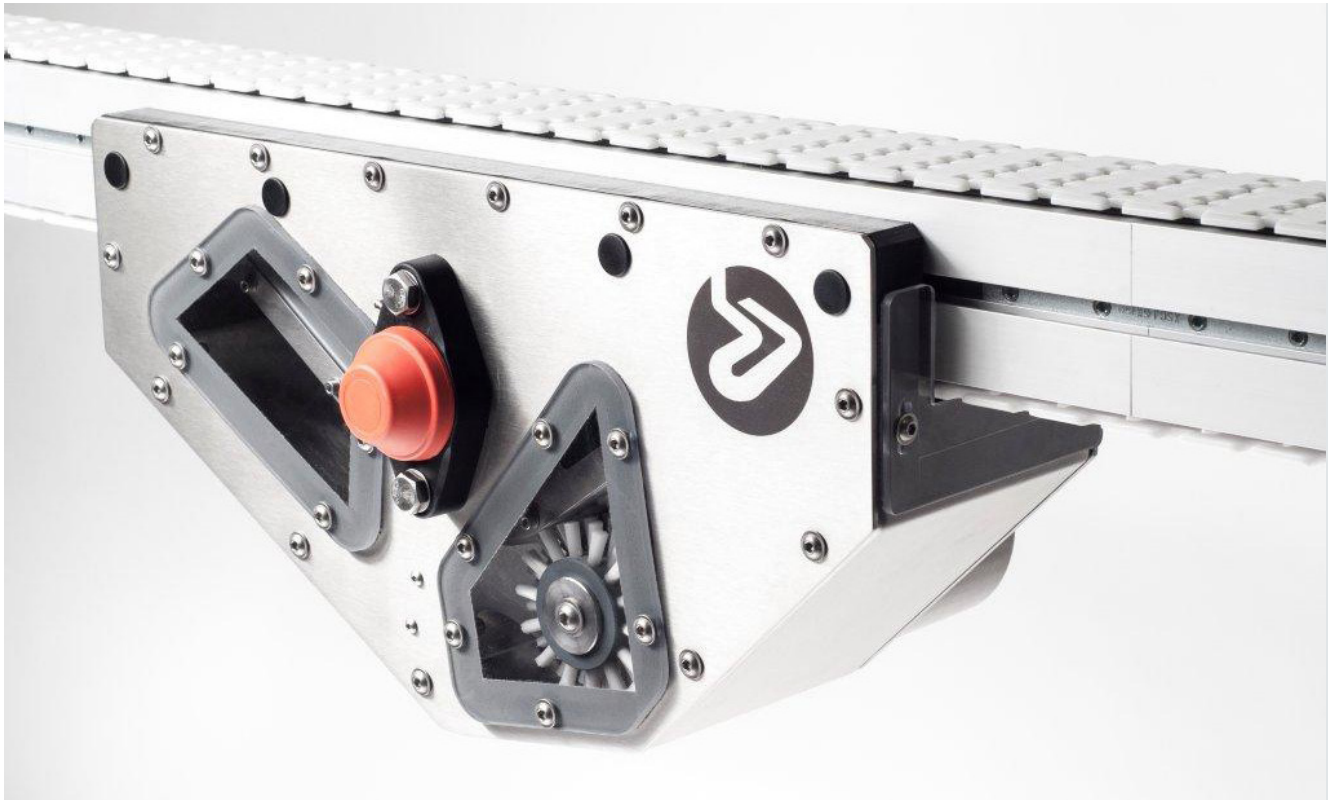
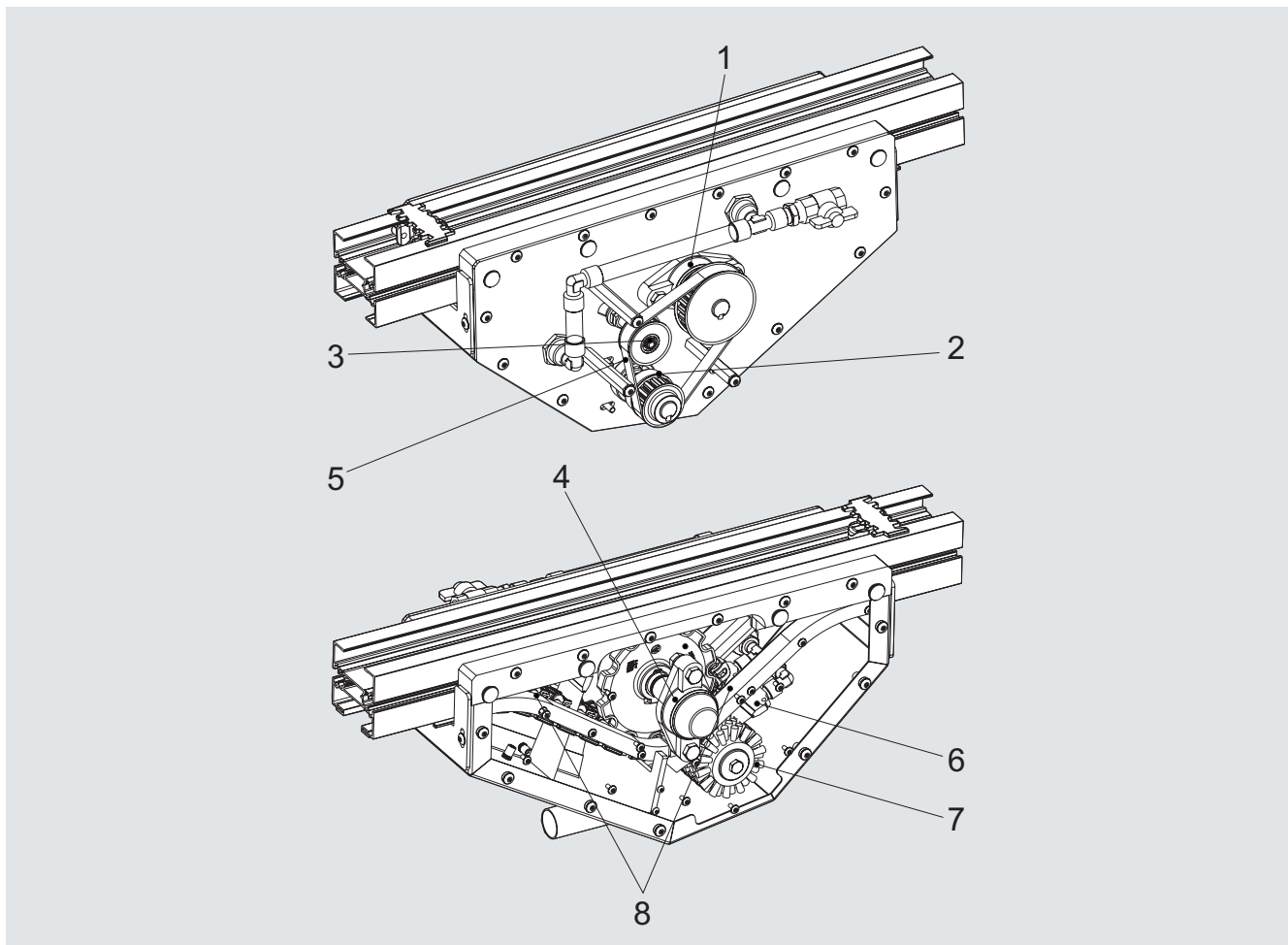


Chain cleaning modules for dry cleaning



Conveyor system	Chain cleaning module Item No.
XS	8080626
XL	8080627
X65	8080628
X85	8080570
XH	8080629
XK	8080630

Chain cleaning modules for dry cleaning



Item	Description	Item No.	Qty	Comments	RS
1	Bearing	UCFL 204 C; 69026	1		
2	Bearing	DIN 625- 6204-2RS- A2	2		
3	Bearing	DIN 625- 608-2RS- A2	2		
4	Bearing	UCFL 204 C; 69016	1		
5	Timing belt	8044755	1		
6	Vacuum nozzle	8044713	1		
7	Brush	8044717	1		
8	Slide rails	8044750	1	for unit 8080626 (XS)	
		8044751	1	for unit 8080627 (XL)	
		8044751	1	for unit 8080628 (X65)	
		8044754	1	for unit 8080570 (X85)	
		8044752	1	for unit 8080629 (XH)	
		8044753	1	for unit 8080630 (XK)	

RS- Recommended spare part to have in stock

info@flexlink.com
flexlink.com



a coesia company