

Spare parts Transfer station XTPT M1



a coesia company

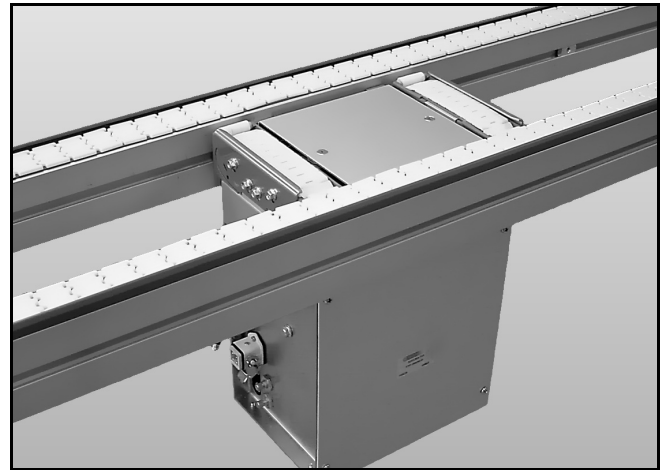
XT010-E8

Technical information from FlexLink

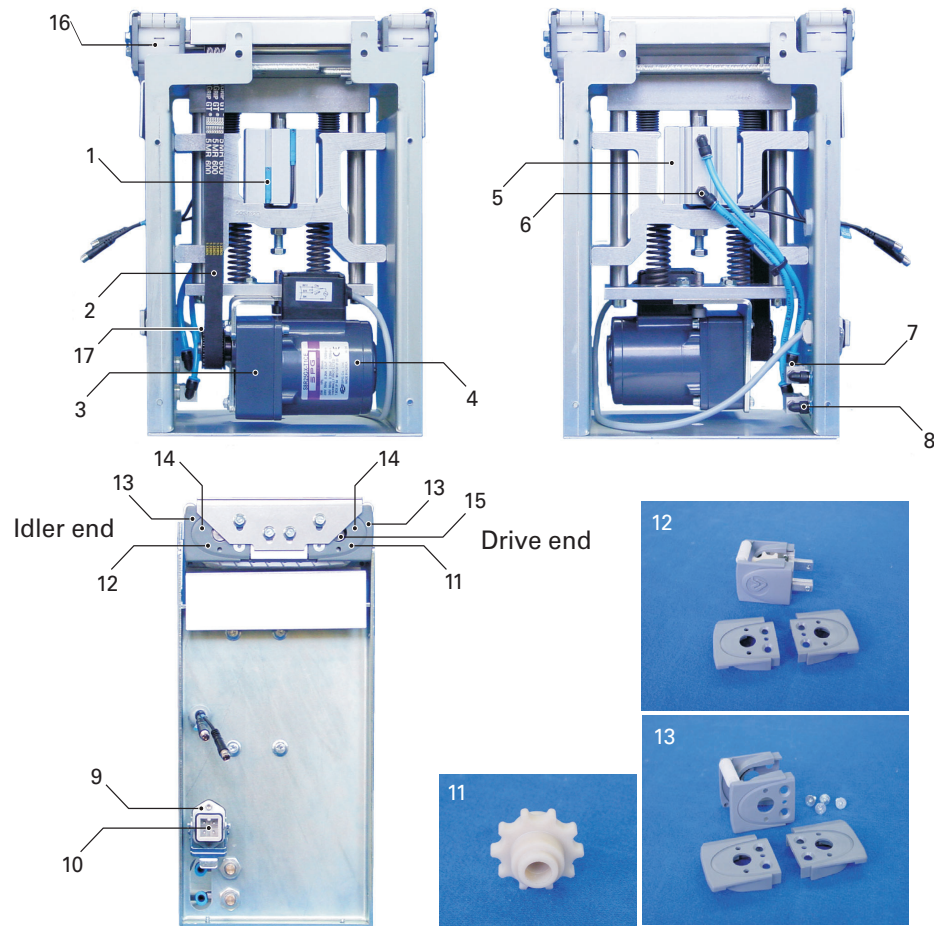
Transfer station XTPT M1

Revision list

Doc ID	Date	Type of revision	Entered by
XT010-E3	2008-09-12		JE
XT010-E4	2009-03-18		JE
XT010-E5	2010-08-25	Added new column	CB
XT010-E6	2016-01-14	Doc nr, new row, pos 16 17, diameter changed	RP
XT010-E7	2020-10-21	New logo/ part no	TG
XT010-E8	2022-05-13	Updated idler end info.	IR



Transfer station XTPT M1



Item	Description	Part No	Qty	Comments	Recommended Spare parts
1	Sensor	SICK RZT1-04ZRS-KP0	2		
2	Tooth belt	5111744	1	600-MGT3-15	
3	Gearbox 12,5:1, 25 W	5111737	1	S8KA12.5B	
4	AC motor 25 W Rev. 50 Hz, including capacitor 2,0 µF	5111735	1	S8R25GX-T1CE	
	AC motor 25 W Rev. 60 Hz, including capacitor 7,0 µF	5111736	1	S8R25GE-T1CE	
5	Pneumatic cylinder	ADVC-50-25-I-P-A	1	FESTO	
6	L-fitting	QSML-1/8-6	2	FESTO	
7	Check valve	GR-M5-B	2	FESTO	
8	L-fitting	QSML-M5-6	2	FESTO	
9	Bulkhead housing	HDC-HAD-7-AVL	1	Weidmüller	
10	Insert male 3-pole	HDC-HA-3MS	1	Weidmüller	
11	Drive wheel	5055848	1		
12a	Idler end, standard	XUEJ 50 P	4	Without guides	
12b*	Idler end, conductive	5055846	4		
13**	Idler end kit, standard	5055844	4	Fits both drive and idler end	
	Idler end kit, conductive	5055845	4	Fits both drive and idler end	
14	Ball bearing	61801-2Z	6	Fits both drive and idler end	
15	Drive end shaft	5054953_PL	1		
16	Belt wheel	5111745	1	20-5-MR-15 (D=12 mm)	
17	Belt wheel	5111745	1	20-5-MR-15 (D=12 mm)	

* Item 12b includes idler end (1), left guide (1) and right guide (1).
** Item 13 includes side plate without guide (2), left guide (1), right guide (1), roller kit (1) and screws (4).