

# X65Y conveyor system

## Contents

System information.....	1	Idler end units – introduction.....	7
Chains X65Y.....	2	Idler units.....	7
Chain accessories X65Y.....	2	Transfer units – introduction.....	8
Beams.....	3	Side Transfers.....	8
Beam accessories.....	4	Bends – introduction.....	9
Slide rails X65Y.....	4	Horizontal plain bends X65Y.....	9
Drive and Idler units – introduction.....	6	Vertical plain bends X65Y.....	11

## System information

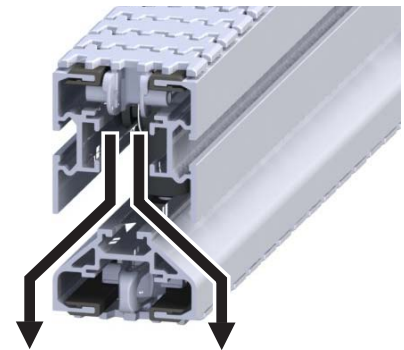


## Features

The Conveyor system X65Y is developed for transport of soft paper products direct on the chains. Soft paper sometimes generates particles that can pass through the chains and get stuck inside the conveyor and over time generate more friction in the system. This can cause increased wear on chain and slide rail.

The X65Y conveyor is designed to let the soft paper particles pass through the conveyor. The result is an increased life time of the chain and slide rail and thus a lower maintenance cost.

The X65Y components offer are available for single, double, triple, quadruple and quintuple conveyor



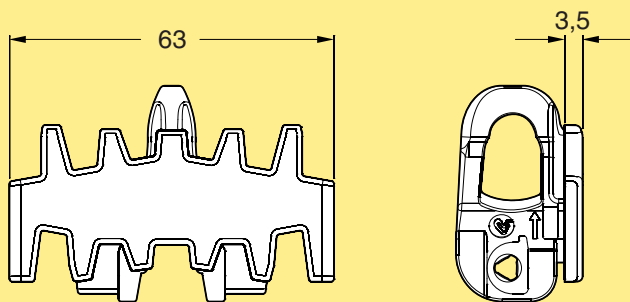
*X65Y conveyor self-draining principle*

## Technical characteristics

Beam width.....	65 mm
Chain width.....	63 mm
Chain pitch.....	25,4 mm
Drive unit capacity.....	1 000 N
Chain tension limit.....	1 000 N
Maximum:	
Recommended length:	
Straight conveyors.....	30 m
Conveyors with bends.....	15 m
Speed.....	120 m/min

## Chains X65Y

### Plain chain



Plain chain  
Length 5 m

**XLTP 5A65**

Plain link kit \*

**5117329**

Plain chain (Ultra low wear)  
Length 5 m

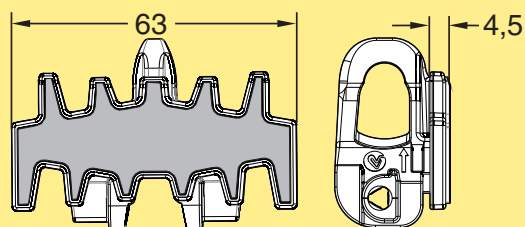
**XLTP 5A65 C**

Plain link kit (Ultra low wear)

**5117371**

*\*Link kit contains 10 links, 10 pivots, 10 steel pins*

### Flat friction top chain



Flat friction top chain  
Length 5 m, (PAR1)  
Length 5 m

**XLTP 5A65 FA**  
**XLTP 5A65 FAP**

*\*Use the online configurator to specify and order.*

Cleated link kit \*\*

**5117357**

*\*\*Link kit contains 10 links, 10 pivots, 10 steel pins*

## Chain accessories X65Y

### Plastic pivot

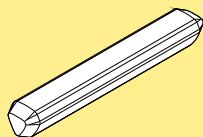


Plastic pivot X65

**5117478**

*Plastic pivot kit contains 25 items*

### Steel pin kit

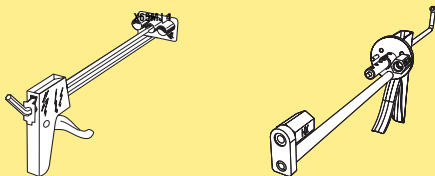


Steel pin kit

**5116330**

*Note. kit contains 25 pcs of XTTD 4,5x30*

### Pin insertion tool for chain



Pin insertion tool

X65

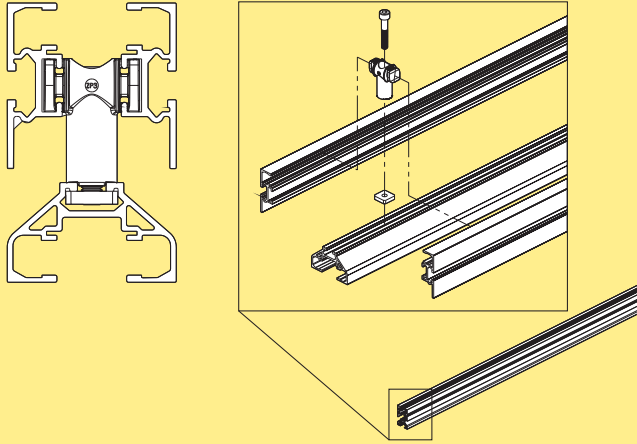
X65 PRO version\*

**XLMJ 4**

**XLMJ 4 P**

*\*This product is recommended for frequent users.*

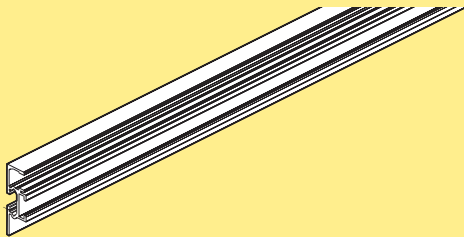
## Conveyor beam



Beam  
 Length 3000 mm **XLCB 3A65Y**  
 Length to order (500- 2999 mm) **XLCB LA65Y**

Slide rail: see page 4.  
 Beam accessories: see below.

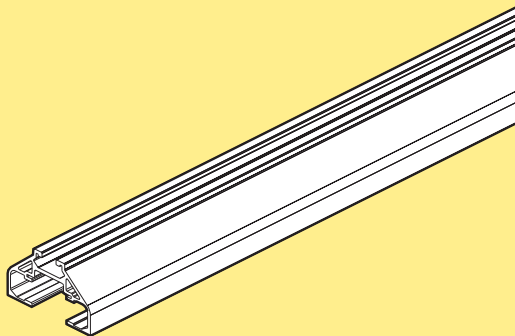
## Profile for split conveyor beam



Profile  
 Length 3000 +10/-0 mm **5995978 3**  
 Length to order (30- 2999 mm) **5995978 L**

Slide rail: see page 4.  
 Beam accessories: see below.

## Profile



Profile  
 Length 3000 +10/-0 mm **5995979 3**  
 Length to order (30- 2999 mm) **5995979 L**

Slide rail: see page 4.  
 Beam accessories: see below.

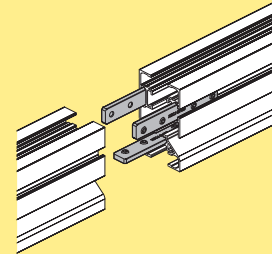
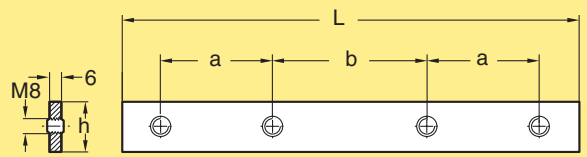
## Spacer kit



Spacer kit **XLCE A65Y**

Note. Must be ordered in multiples of 10.

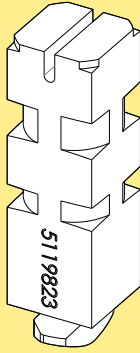
## Connecting strip with set screws



Connecting strip with set screws  
 $h=20, a=30, b=50, L=130$  **XSCJ 6x130**

Note. Must be ordered in multiples of 10

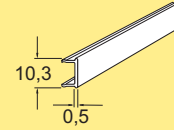
## Fixture



Y-Beam cut fixture

**5119823**

## Cover strip for T-slot, PVC

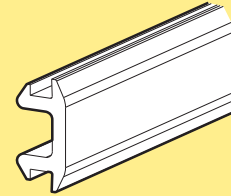
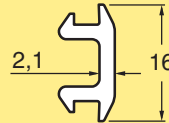


Cover strip for T-slot  
Length 3 m  
Grey PVC

**XCAC 3 P**

*Note! Can't be used with bends*

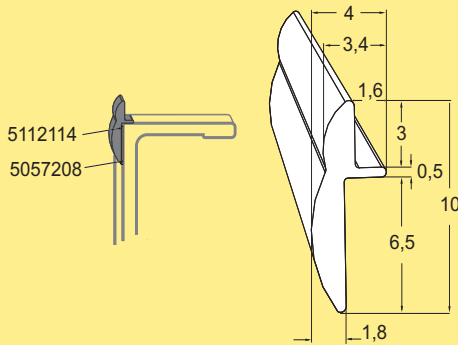
## Cover strip for T-slot, PVC



Cover strip for T-slot  
Length 25 m  
Grey PVC

**XCAC 25 P**

## Cover strip



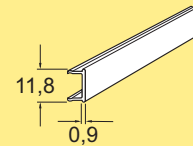
### Cover strip

Length: 3 m  
Material: Plastic PA 12

**5112114**

*Cover the opening on the side between the chain and beam. Primarily for straight sections and the outer curves, but can also be mounted on inner curves. Apply using Glue tape 5057208, see mounting instruction 5497EN in Technical library.*

## Cover strip for T-slot, aluminium



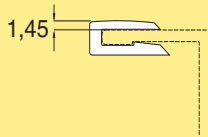
Cover strip for T-slot  
Aluminium, anodized  
Length 2 m

**XCAC 2**

*Note! Can't be used with bends*

# Slide rails X65Y

## Plastic slide rails, narrow

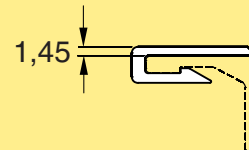


### Slide rail

Length 25 m  
HDPE (Black)  
PA-PE (Grey)  
PVDF (Natural white)  
PE-UHMW (White)  
PE-UHMW conductive (Black)

**XLCR 25**  
**XLCR 25 H**  
**XLCR 25 P**  
**XLCR 25 U**  
**XLCR 25 E**

## Plastic slide rails for X65



### Slide rail

Length 25 m  
HDPE ( $\mu=0,1-0,25$ ) (Black)  
PA-PE ( $\mu=0,1-0,25$ ) (Grey)

**XLCR 25 B**  
**XLCR 25 HB**

Not for use in bends

**Steel slide rail for X65 beams**

**XLCR 3 TA**



Slide rail ( $\mu=0,15-0,35$ )

Length 3 m

Acid resistant stainless steel

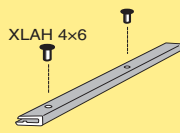
**XLCR 3 TA**

**Mounting tool for slide rail**



Mounting tool for slide rail XS, X65 **XLMR 140**

**Aluminium rivets**

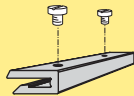


Aluminium rivets 4 mm for X65 conveyors

**XLAH 4x6**

*Extra slide rail in plain bends must be anchored using plastic screws due to lack of space for the rivet crimping tool.  
Note. Must be ordered in multiples of 250.*

**Plastic screws for slide rail**



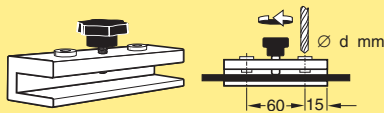
Plastic screws 5 mm for XS-X65-X85-XH-X180/X300 beams

**XLAG 5**

*See mounting instruction in product catalogue "Anchoring slide rail using plastic screws" on page 466*

*Note. Must be ordered in multiples of 50*

**Drill fixture for slide rail**



Drill fixture for X65-X85-XH-XK-X180/X300 slide rail

d=4,2 mm

**3920500**

**Rivet crimping pliers**

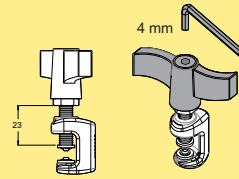


Rivet crimping pliers for X65-X85-XH-XK-X180/X300

For 4 mm rivets

**5051395**

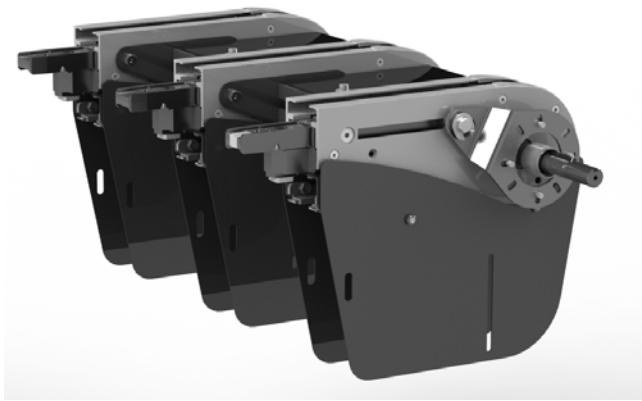
**Rivet crimping clamp**



Rivet crimping clamp for X65-X85-XH-XK-X180/X300

For 4 mm rivets

**3923005**



## Drive unit types

The X65Y system includes single, double, triple, quadruple and quintuple drive units.

Drive units can only be ordered as 0-units (without motor). Torque arm kit is included. Motor has to be ordered separately.

## End drive units, direct drive, no slip clutch

### End drive units L/R

*NOTE! Motor is not included in the delivery*

#### End drive unit, Single

Without motor:

Transmission on left side **5119146**

Transmission on right side **5119147**

#### End drive unit, Double, c-c 200

Without motor:

Transmission on left side **5118209**

Transmission on right side **5119177**

#### End drive unit, Double, c-c 240

Without motor:

Transmission on left side **5120412**

Transmission on right side **5120429**

#### End drive unit, Triple, c-c 200

Without motor:

Transmission on left side **5118213**

Transmission on right side **5119178**

#### End drive unit, Triple, c-c 240

Without motor:

Transmission on left side **5120065**

Transmission on right side **5120066**

#### End drive unit, Quadruple, c-c 200

Without motor:

Transmission on left side **5119961**

Transmission on right side **5120016**

#### End drive unit, Quadruple, c-c 240

Without motor:

Transmission on left side **5119962**

Transmission on right side **5120018**

#### End drive unit, Quintuple, c-c 200

Without motor:

Transmission on left side **5120057**

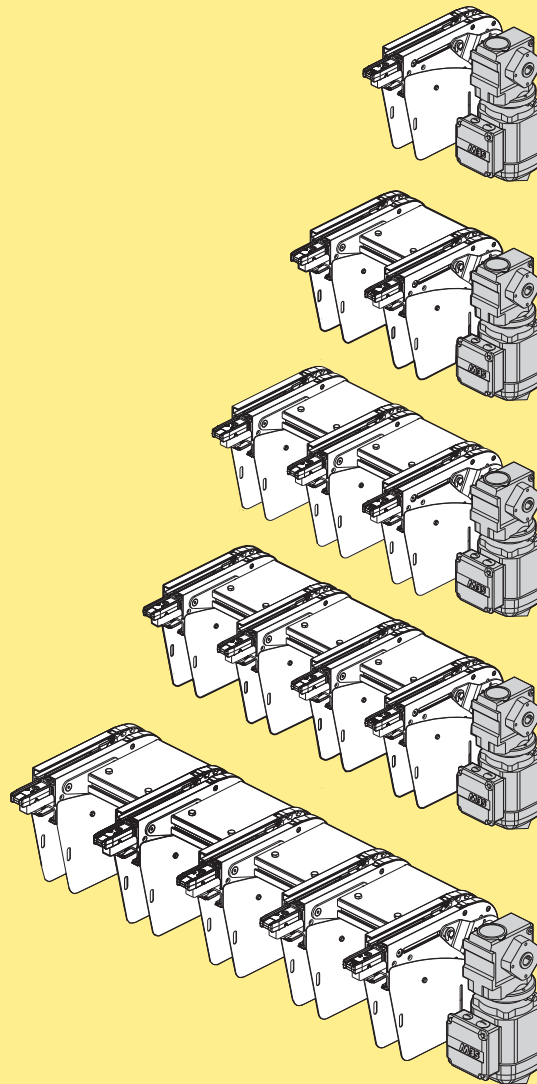
Transmission on right side **5120058**

#### End drive unit, Quintuple, c-c 240

Without motor:

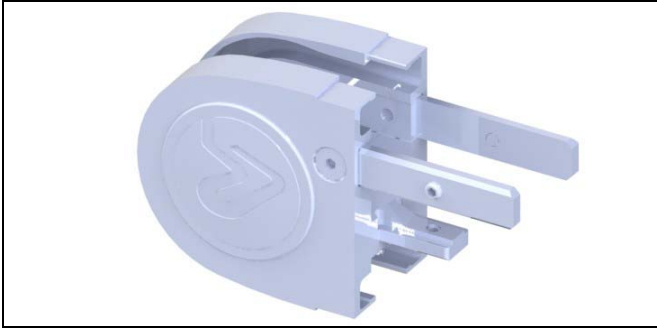
Transmission on left side **5120059**

Transmission on right side **5120060**



*Effective track length: 0,8 m x 1-5 lanes*

## Idler end units – introduction



Idler end unit

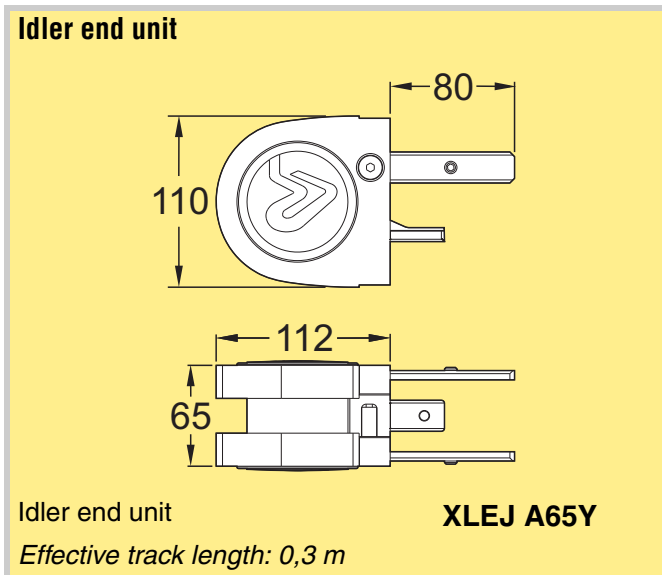
### Chain guidance at end of conveyor

The idler end unit is used to guide the chain from the return side of the conveyor up to the top side with a minimum of friction. The chain is guided by two or more idler wheels on a common, rotating shaft supported by ball bearings.

### Ordering information

- Connecting strips are included with the idler end units.

## Idler units





Side transfer

## Side transfer

The side transfer unit is delivered fully assembled, ready to dock into the conveyor beams.

### NOTE!

The drive unit side of the unit is heavy. It is strongly recommended to place a conveyor support close to this side of the unit.

## Ordering information

- Connecting strips are included.
- Slide rail must be ordered separately.

## Side Transfers

**Side Transfer** *NOTE! Motor is not included in the delivery*

<p><b>Transfer, Double, c-c 200</b>                  Transmission on left side    <b>5120033</b>                  Transmission on right side    <b>5120035</b></p>	
<p><b>Transfer, Triple, c-c 200</b>                  Transmission on left side    <b>5120037</b>                  Transmission on right side    <b>5120039</b></p>	
<p><b>Transfer, Quadruple, c-c 200</b>                  Transmission on left side    <b>5120041</b>                  Transmission on right side    <b>5120043</b></p>	
<p><b>Transfer, Quintuple, c-c 200</b>                  Transmission on left side    <b>5120045</b>                  Transmission on right side    <b>5120047</b></p>	
<p><b>Single transfer kit</b>                    <b>5120315</b></p>	

*Effective track length: 2,7 m x 1-5 lanes*



# Bends – introduction

## Bend types

### Horizontal plain bends

The standard radius for horizontal plain bends are 1000 mm, 1200 mm, 1400 mm, 1600 mm and 1800 mm.

### Vertical plain bends

The standard radius for vertical bends is 1000 mm. 5°, 15° and 45° pos. and neg. bends are available.

## Horizontal plain bends X65Y

**Horizontal plain bend, 15°**

Plain bend, 15°±1°  
 R=1000±10 mm  
 R=1200±10 mm  
 R=1400±10 mm  
 R=1600±10 mm  
 R=1800±10 mm

**XLBP 15A65R10Y**  
**XLBP 15A65R12Y**  
**XLBP 15A65R14Y**  
**XLBP 15A65R16Y**  
**XLBP 15A65R18Y**

*Effective track lengths:*  
 R1000: 0,66 m 1-way (1,32 m 2-way)  
 R1200: 0,71 m 1-way (1,43 m 2-way)  
 R1400: 0,77 m 1-way (1,53 m 2-way)  
 R1600: 0,82 m 1-way (1,64 m 2-way)  
 R1800: 0,87 m 1-way (1,74 m 2-way)  
 Including Support rail 5112957

**Horizontal plain bend, 45°**

Horizontal plain bend, 45°±1°  
 R=1000±10 mm  
 R=1200±10 mm  
 R=1400±10 mm  
 R=1600±10 mm  
 R=1800±10 mm

**XLBP 45A65R10Y**  
**XLBP 45A65R12Y**  
**XLBP 45A65R14Y**  
**XLBP 45A65R16Y**  
**XLBP 45A65R18Y**

*Effective track lengths:*  
 R1000: 1,19 m 1-way (2,37 m 2-way)  
 R1200: 1,34 m 1-way (2,68 m 2-way)  
 R1400: 1,50 m 1-way (3,00 m 2-way)  
 R1600: 1,66 m 1-way (3,31 m 2-way)  
 R1800: 1,81 m 1-way (3,63 m 2-way)  
 Including Support rail 5112957

**Horizontal plain bend, 30°**

Plain bend, 30°±1°  
 R=1000±10 mm  
 R=1200±10 mm  
 R=1400±10 mm  
 R=1600±10 mm  
 R=1800±10 mm

**XLBP 30A65R10Y**  
**XLBP 30A65R12Y**  
**XLBP 30A65R14Y**  
**XLBP 30A65R16Y**  
**XLBP 30A65R18Y**

*Effective track lengths:*  
 R1000: 0,92 m 1-way (1,85 m 2-way)  
 R1200: 1,03 m 1-way (2,06 m 2-way)  
 R1400: 1,13 m 1-way (2,27 m 2-way)  
 R1600: 1,24 m 1-way (2,48 m 2-way)  
 R1800: 1,34 m 1-way (2,68 m 2-way)  
 Including Support rail 5112957

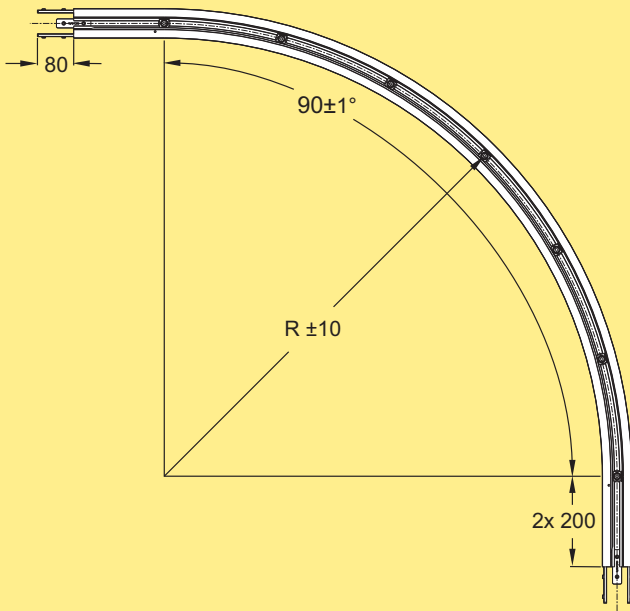
**Horizontal plain bend, 60°**

Horizontal plain bend, 60°±1°  
 R=1000±10 mm  
 R=1200±10 mm  
 R=1400±10 mm  
 R=1600±10 mm  
 R=1800±10 mm

**XLBP 60A65R10Y**  
**XLBP 60A65R12Y**  
**XLBP 60A65R14Y**  
**XLBP 60A65R16Y**  
**XLBP 60A65R18Y**

*Effective track lengths:*  
 R1000: 1,45 m 1-way (2,89 m 2-way)  
 R1200: 1,66 m 1-way (3,31 m 2-way)  
 R1400: 1,87 m 1-way (3,73 m 2-way)  
 R1600: 2,08 m 1-way (4,15 m 2-way)  
 R1800: 2,28 m 1-way (4,57 m 2-way)  
 Including Support rail 5112957

**Horizontal plain bend, 90°**



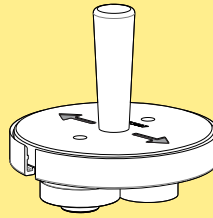
**Horizontal plain bend, 90°±1°**

R=1000±10 mm	<b>XLBP 90A65R10Y</b>
R=1200±10 mm	<b>XLBP 90A65R12Y</b>
R=1400±10 mm	<b>XLBP 90A65R14Y</b>
R=1600±10 mm	<b>XLBP 90A65R16Y</b>
R=1800±10 mm	<b>XLBP 90A65R18Y</b>

*Effective track lengths:*

- R1000: 1,97 m 1-way (3,94 m 2-way)
  - R1200: 2,28 m 1-way (4,57 m 2-way)
  - R1400: 2,60 m 1-way (5,20 m 2-way)
  - R1600: 2,91 m 1-way (5,83 m 2-way)
  - R1800: 3,23 m 1-way (6,45 m 2-way)
- Including Support rail 5112957*

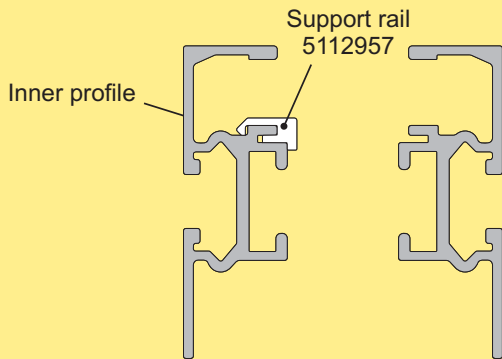
**Mounting tool for support rail 5112957**



**3923686**

Mounting tool for support rail

**Support rail for use with X65 chain**



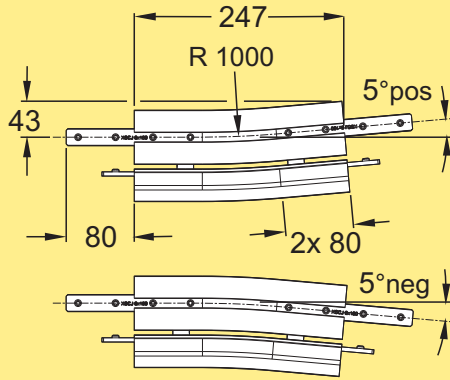
Support rail  
Length 3 m  
PA-PE ( $\mu=0,1-0,25$ ) (Grey)

**5112957**

Support rails always included in the delivery of all X65Y plain bend

# Vertical plain bends X65Y

## Vertical plain bend, 5°

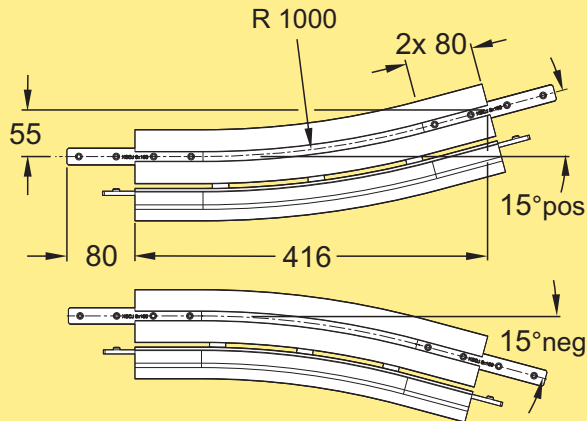


Vertical plain bend, 5° pos  
Radius 1000 mm **XLBV 5A65R10PY**

Vertical plain bend, 5° neg  
Radius 1000 mm **XLBV 5A65R10NY**

*Effective track length:*  
pos: 0,25 m 1-way (0,50 m 2-way)  
neg: 0,245 m 1-way (0,49 m 2-way)

## Vertical plain bend, 15°

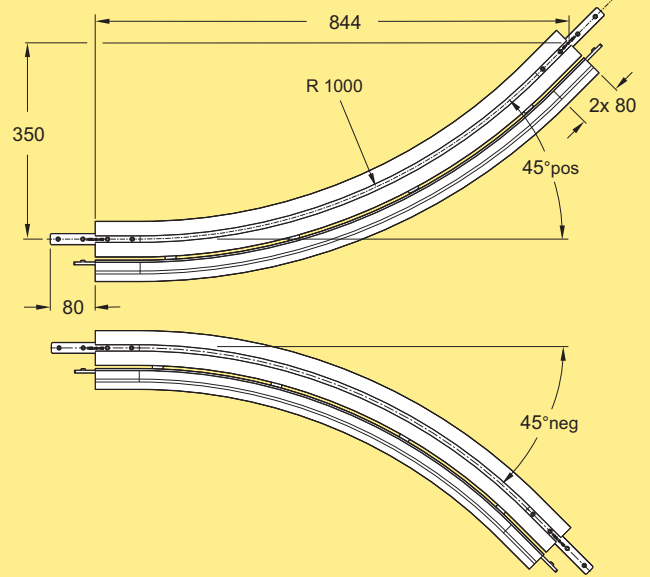


Vertical plain bend, 15° pos  
Radius 1000 mm **XLBV 15A65R10PY**

Vertical plain bend, 15° neg  
Radius 1000 mm **XLBV 15A65R10NY**

*Effective track length:*  
pos: 0,43 m 1-way (0,86 m 2-way)  
neg: 0,415 m 1-way (0,83 m 2-way)

## Vertical plain bend, 45°



Vertical plain bend, 45° pos  
Radius 1000 mm **XLBV 45A65R10PY**

Vertical plain bend, 45° neg  
Radius 1000 mm **XLBV 45A65R10NY**

*Effective track length:*  
pos: 0,965 m 1-way (1,93 m 2-way)  
neg: 0,93 m 1-way (1,86 m 2-way)

