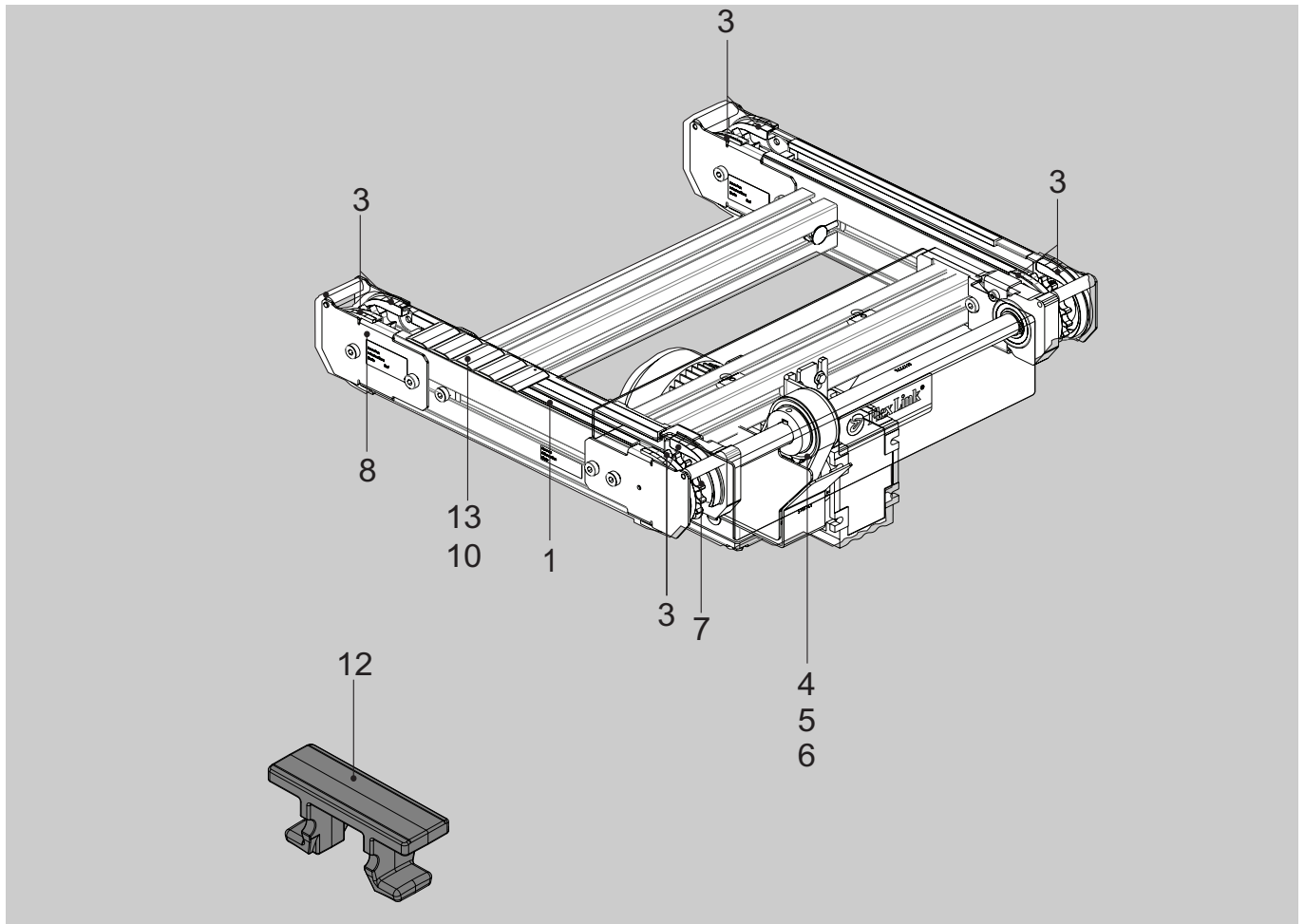


Spare parts XT-H

Technical information from FlexLink

Conveyor Unit



Pos	Description	Item no.	Qty	Comments
1	Slide rail	5056745	3 m	
2	Plastic screw kit	5118198	1 pc	Incl. 20 pcs
3	Steering guide kit	5118199	1 pc	
4	Tooth belt, Conveyor	5118598	1 pc	384-8MGT-20, PowerGrip GT2
5	Belt wheel, drive shaft	5118201	1 pc	Z=22
6	Belt wheel, motor	5118202	1 pc	Z=22
7	Drive wheel	5118203	1 pc	ANSI 1/2" Z=15
8	Idler end wheel	5118204	1 pc	Incl. shaft and bearing
10	XT/H chain	5127913	3 m	XTH/H with connecting link
11	Connecting link kit	5127910	1 pc	Connecting link (used with Flight pos. 12)
12	Plastic chain top kit	5127923	1 pc	Plastic flight grey, 100 pcs
13	Plastic chain top kit	5118205	1 pc	Plastic flight grey, 120 pcs
14	Connecting link kit	5117812	1 pc	ANSI 08A (Used with Flight pos.13)

