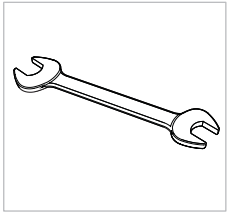


PRE-REQUISITES

Recommended tools



SAFETY



WARNING
The system must not be operated without safety equipment properly mounted.



WARNING
At installation, maintenance and service, make sure the motor is shut off.



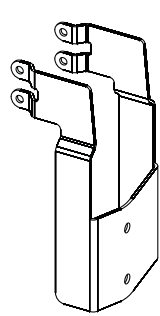
WARNING
Pinch Point



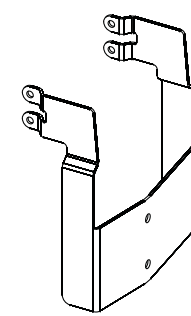
CAUTION
Due to heavy weight - 2 person lift, or mechanical lift equipment.

PRODUCTS

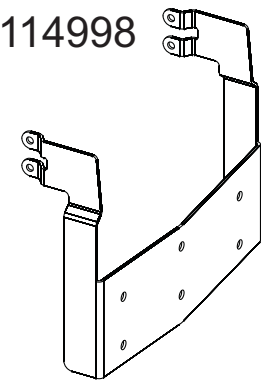
5114999




5115001



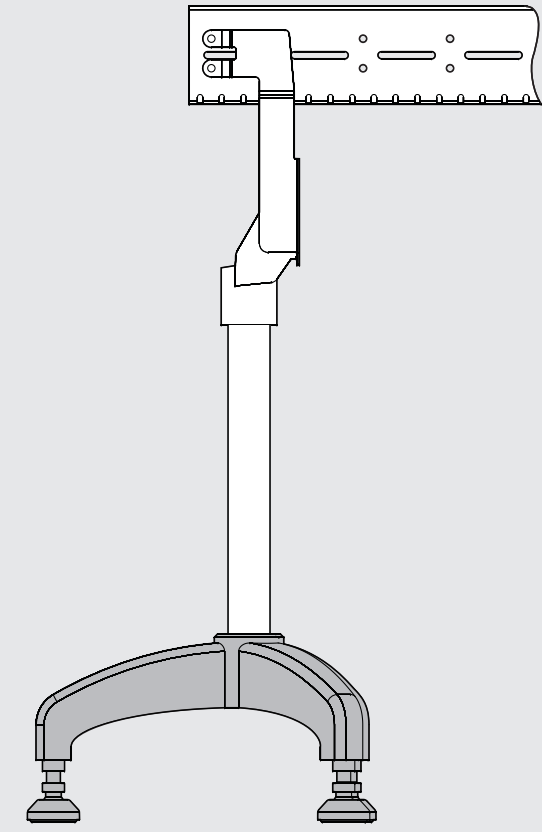
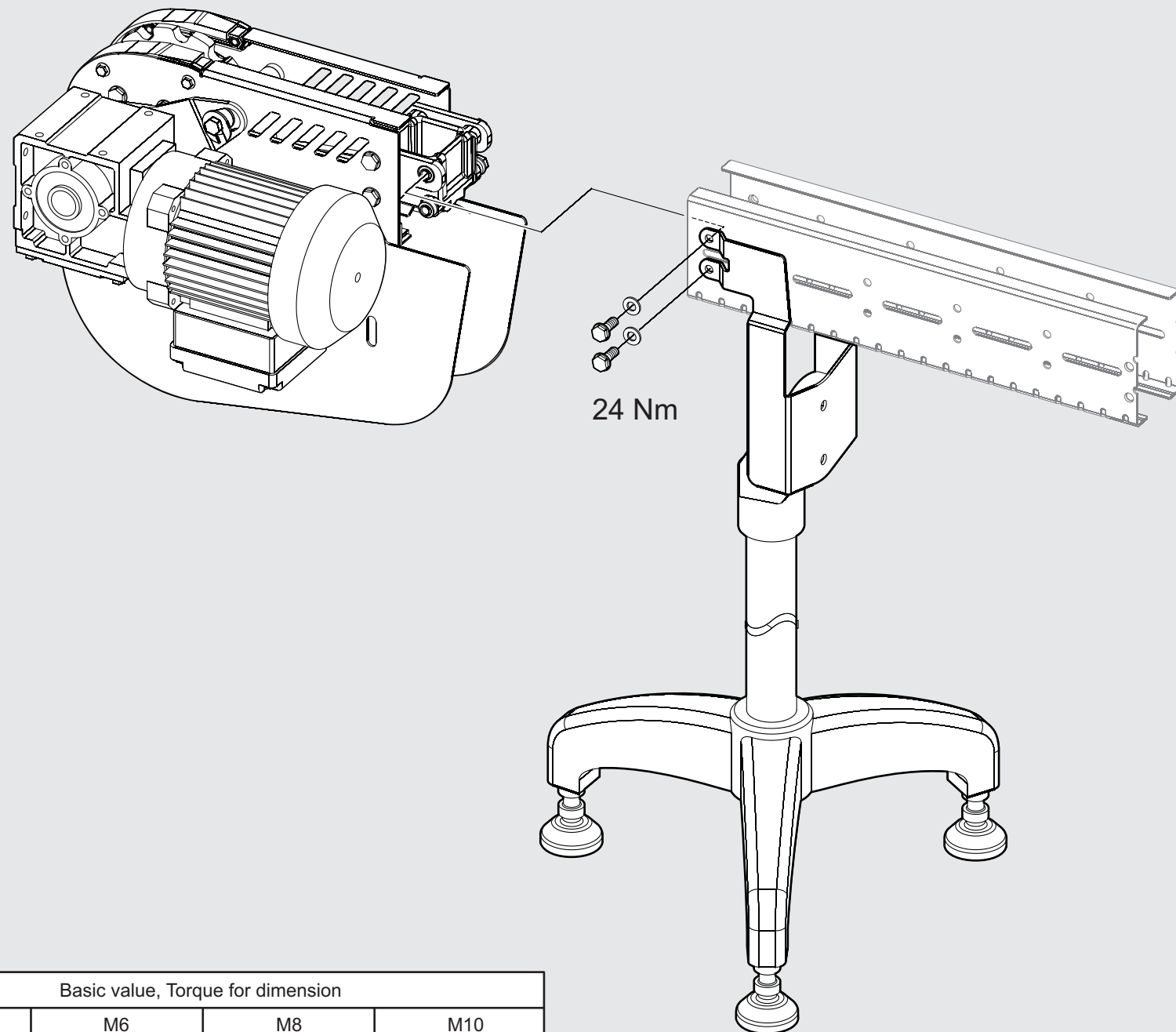
5114998







5115332



Basic value, Torque for dimension			
M5	M6	M8	M10
4 Nm / 35 lb. in.	9 Nm / 80 lb. in.	24,5 Nm / 217 lb.in.	45 Nm / 398 lb.in.

ASSEMBLY INSTRUCTION

Beam support bracket, X85X, X180X, X300X

5114999

5115001

5114998

