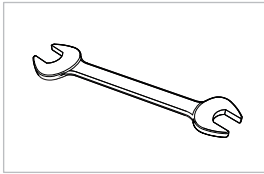
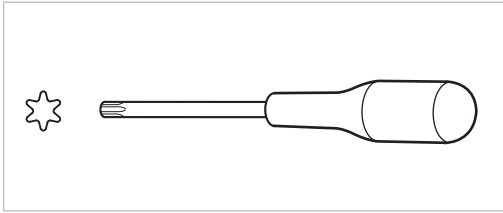


PRE-REQUISITES

Recommended tools



SAFETY



WARNING
The system must not be operated without safety equipment properly mounted.



WARNING
At installation, maintenance and service, make sure the motor is shut off.

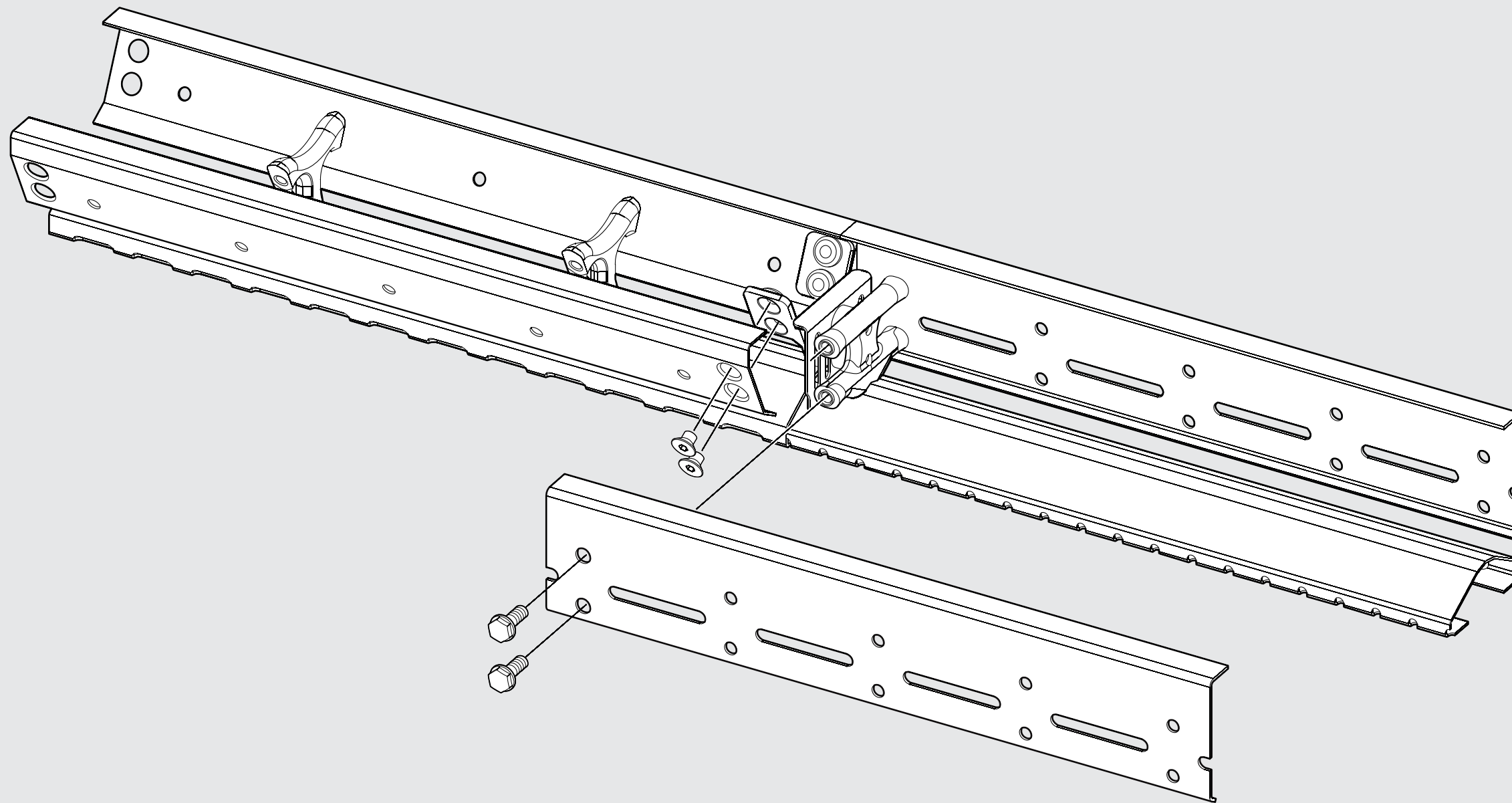
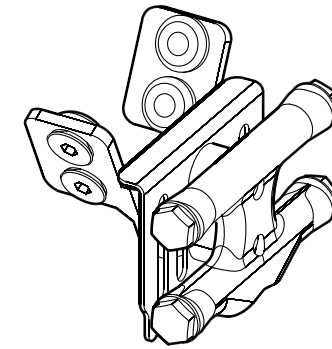


WARNING
Pinch Point



CAUTION
Due to heavy weight - 2 person lift, or mechanical lift equipment.

PRODUCTS



ASSEMBLY INSTRUCTION

Connecting bracket kit

