

Triple drive unit – XW

Contents

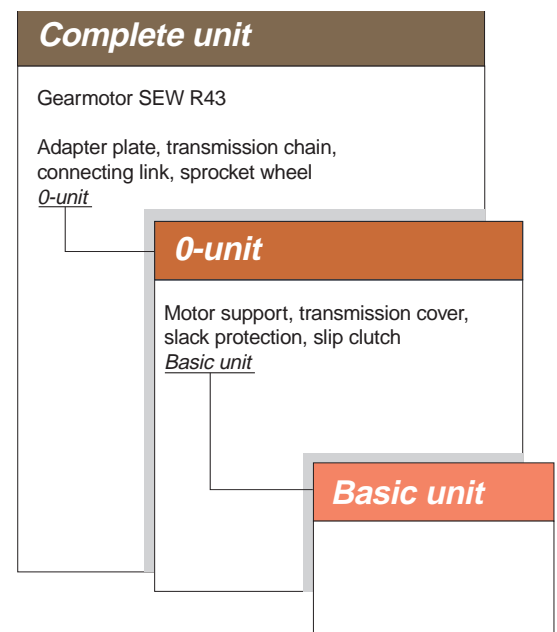
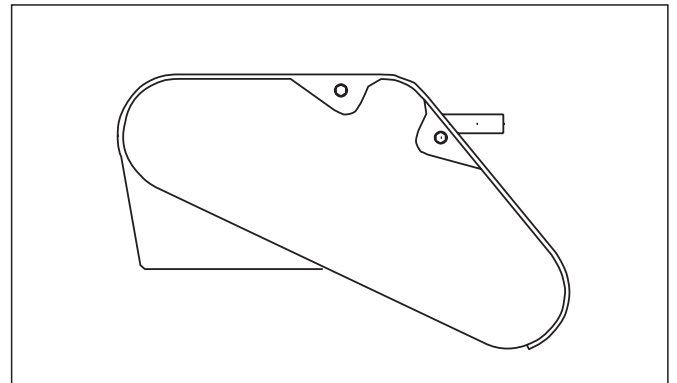
Triple drive unit, type A

Complete unit – XWEB _B900 LA/RA	2
0-unit – XWEB 0B900 LA/RA	3
Basic unit – XWEB 0B900 LAU/RAU	4
Basic module – XWEB _B900 LA/RA	5

Triple drive unit, type B

Complete unit – XWEB _B900 LB/RB	6
0-unit – XWEB 0B900 LB/RB	7
Basic unit – XWEB 0B900 LBU/RBU	8
Basic module – XWEB _B900 LB/RB	9

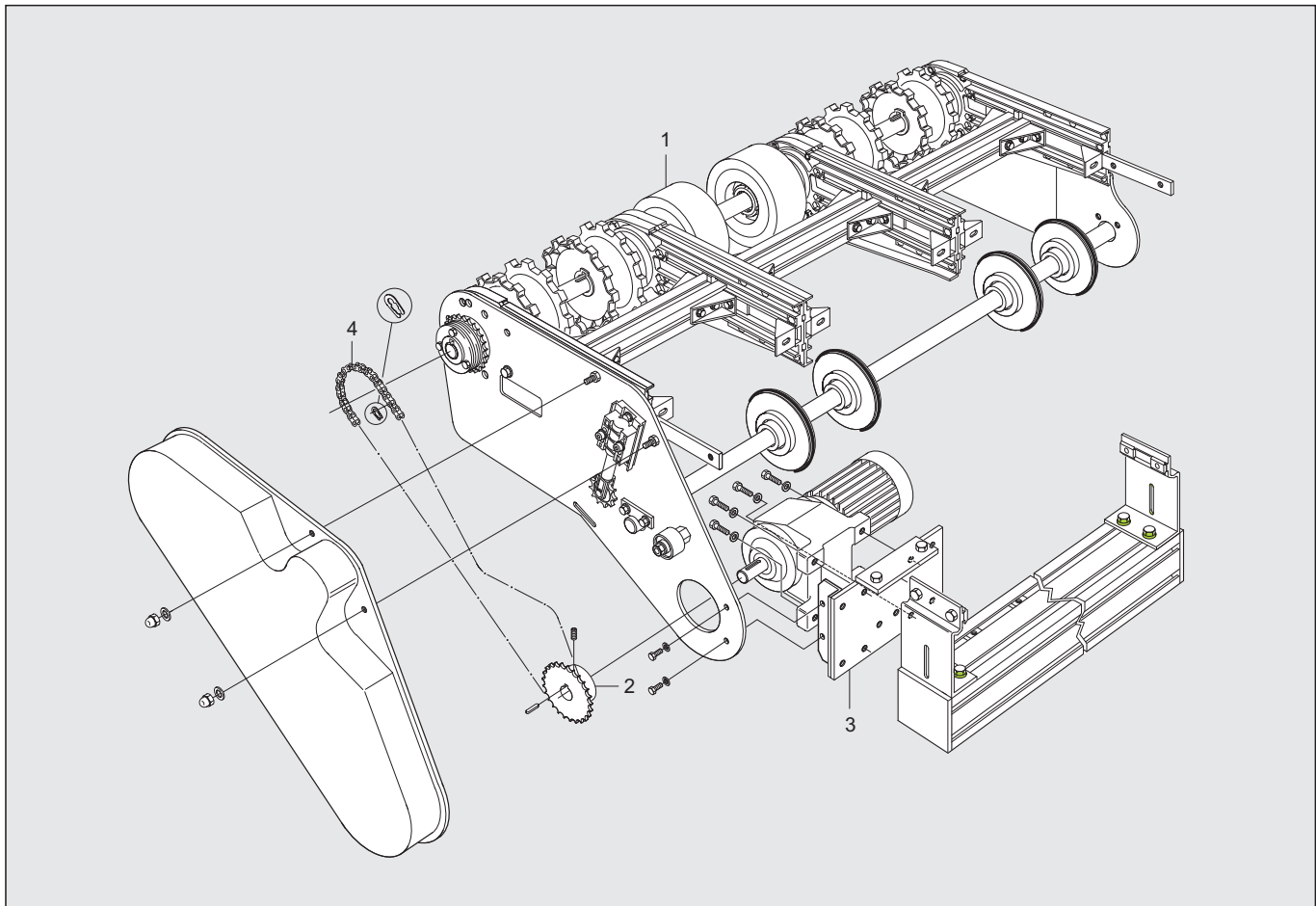
Revision list	10
---------------	----



Triple drive unit, type A

Complete unit – XWEB _B900 LA/RA

For SEW R43 gearmotor



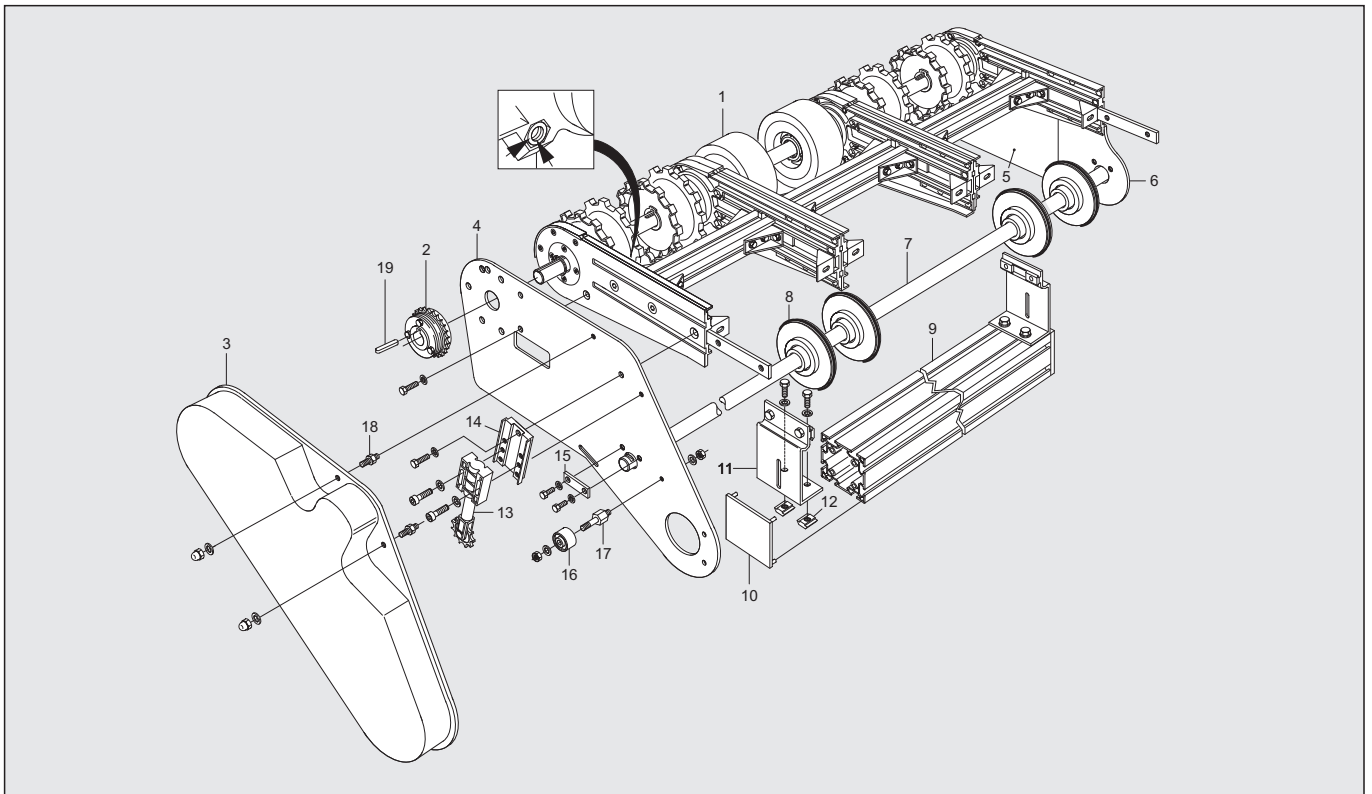
Item	Description	Part No	Qty	Comments
10-unit.....	XWEB 0B900 LA.....	1See next page for details.....
10-unit.....	XWEB 0B900 RA.....	1See next page for details.....
2Sprocket wheel 1/2" including set screw.....	1See table below..... ☆
3Adapter plate including bolts and washers.....	3920853.....	1See SEW R43 gearmotor.....
4Transmission chain 1/2" including connecting link.....	5111232.....	1ISO/R 606-08B..... ☆

☆ = recommended spare part

Sprocket wheel	Part No (SEW)
Z ₁ =17	3921989
Z ₁ =23	3921992
Z ₁ =25	3921993

Triple drive unit, type A

0-unit – XWEB 0B900 LA/RA

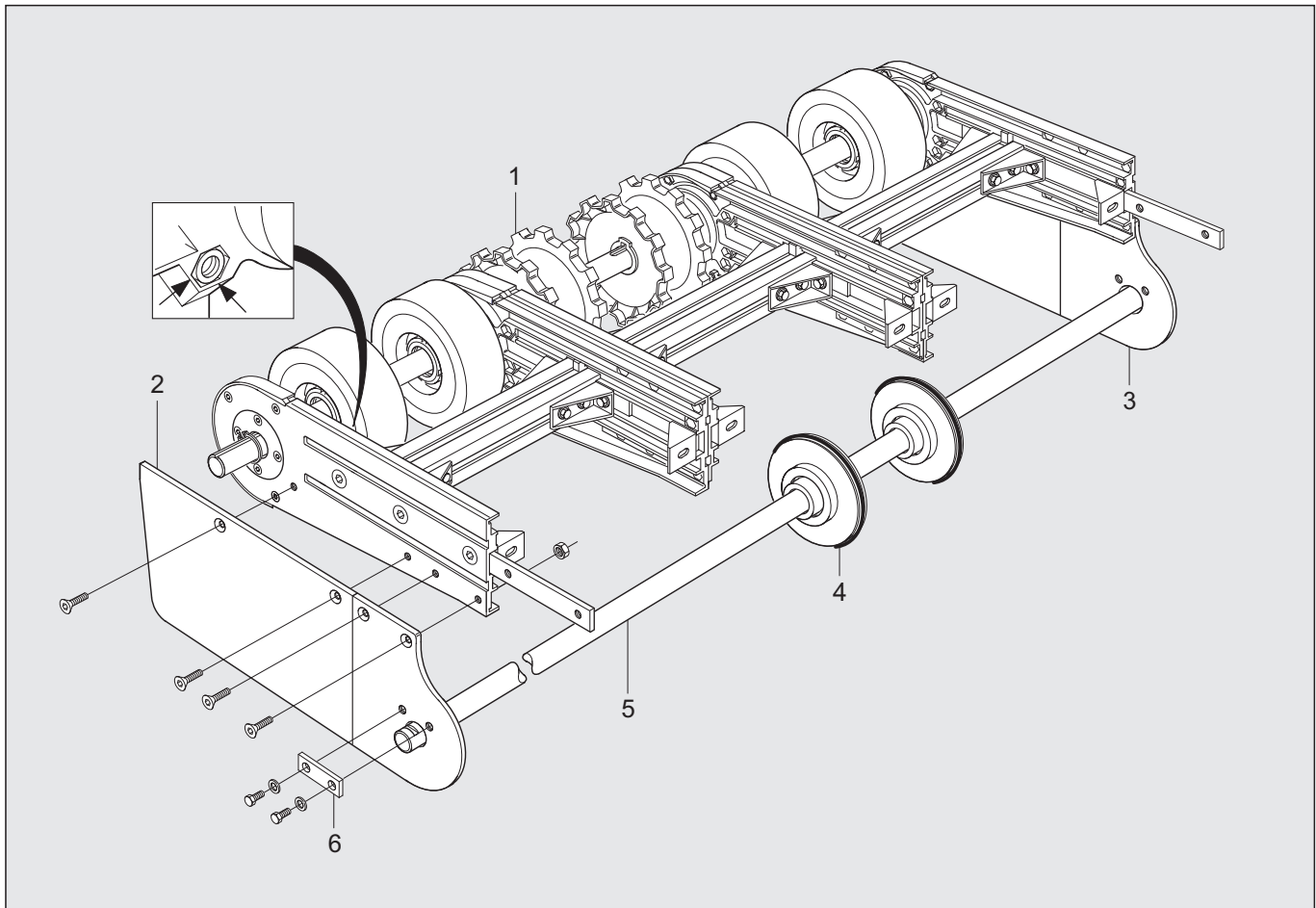


Item	Description	Part No	Qty	Comments
1	Basic unit (left-hand version)	XWEB 0B900 LAU	1	See next page for details
1	Basic unit (right-hand version)	XWEB 0B900 RAU	1	See next page for details
2	Slip clutch Ø25 mm	.5053981	1	☆
3	Transmission cover	.3905888	1	☆
4	Motor bracket	.3905711	1	
5	Slack protection	.3905884	1	
6	Wheel slack support	.3905887	1	
7	Shaft	.3905876	1	
8	Slack wheel	.3905958	4	
9	Support beam	.3921907	1	
10	End cap	.XCBE 88	2	
11	Beam support bracket	.XLCT 21×125	2	
12	Square nut	.XCAN 8	8	
13	Tension pulley	.3904541	1	
14	Distance plate	.3904373	1	
15	Lock washer	.3905877	1	
16	Wheel	.XCAW 48	1	
17	Shaft	.3905887	1	
18	Distance screw	.3904855	2	
19	Wedge	.8x7-40	1	ISO/R 773

☆ = recommended spare part

Triple drive unit, type A

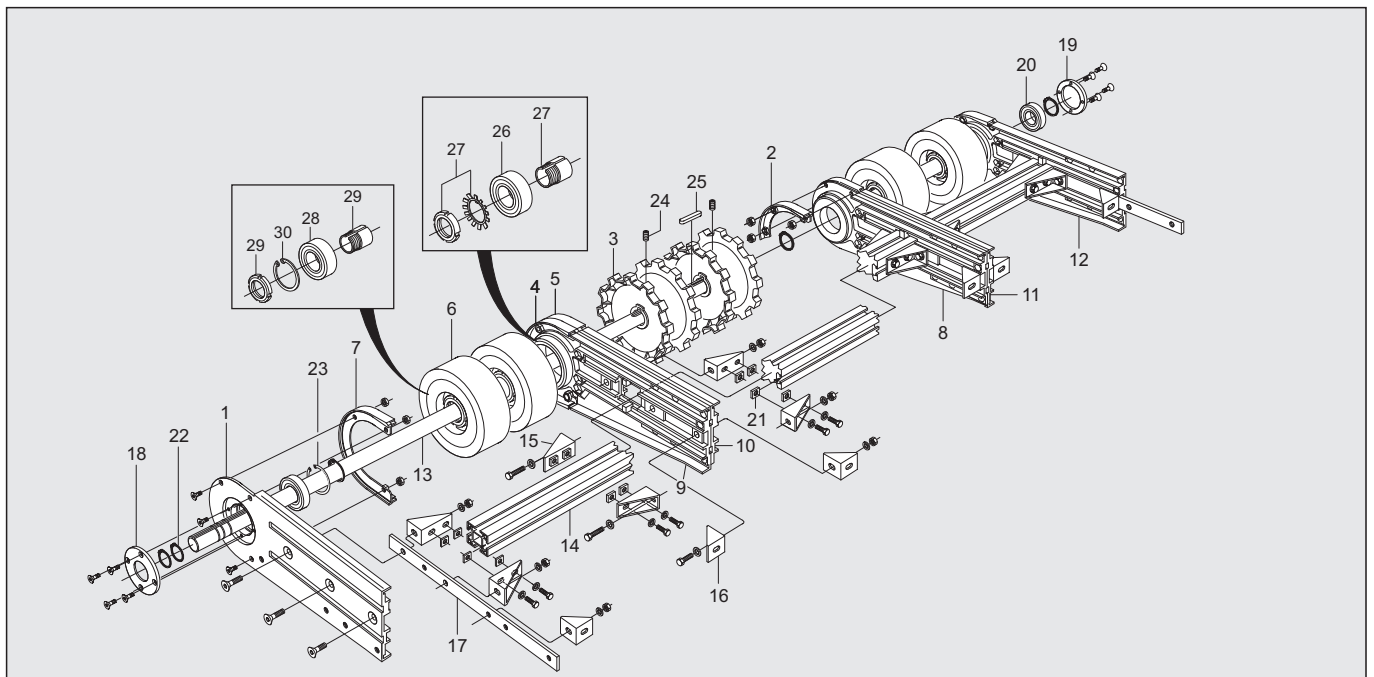
Basic unit – XWEB 0B900 LAU/RAU



Item	Description	Part No	Qty	Comments
1	Basic module (900 LA)	3925388	1	See next page for details
	Basic module (900 RA)	3926143	1	See next page for details
2	Slack protection plate	3905884	2	
3	Wheel slack support	3905877	2	
4	Slack wheel	3905958	4	
5	Shaft	3925876	1	
6	Lock washer	3905877	1	

Triple drive unit, type A

Basic module – XWEB _B900 LA/RA



XWEB B900 LA: Drawing No. 3925388, XWEB B900 RA: Drawing No. 3926143

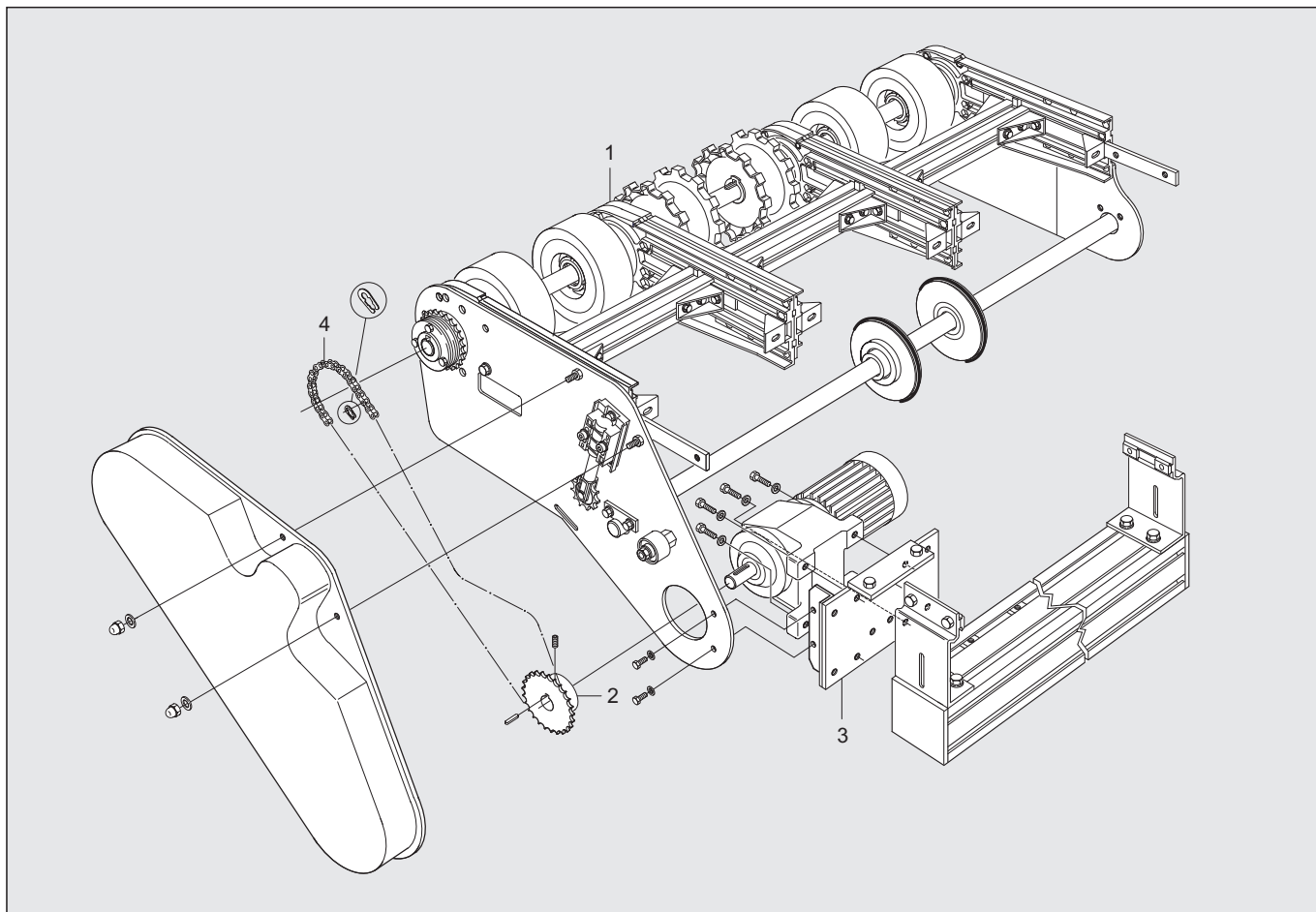
Item	Description	Part No	Qty	Comments
1	Side plate L	3905719	2	
2	Steering guide L	3905706	2	☆
3	Sprocket wheel	3905400	4	☆
4	Guide drive unit	3905707	2	☆
5	Steering guide	3905705	1	☆
6	Wheel	3925377	2	Ø130 mm
7	Steering guide	3905704	1	☆
8	Intermediate side plate	3921251	1	
9	Side plate	3905891	1	
10	Intermediate side plate	3905890	1	
11	Side plate L	3921252	1	
12	Side plate R	3905718	1	
13	Drive shaft	3921430	1	
14	Beam	3925385	1	
15	Angle bracket	3905478	12	
16	Angle bracket	XLFA 44 B	6	
17	Connecting strip	3925380	2	
18	Cover	3904772	1	
19	Cover	3904671	1	
20	Bearing	2205 E 2RS1/C3	2	TN9 VT 143
21	Slot nut	XLAQ 8	24	
22	Retaining ring	SgA 25	5	
23	Retaining ring	SgH 52	1	
24	Set screw	SK6SS 6x10	4	
25	Wedge	8x7-40	4	ISO/R 773
26	Bearing	2206 Ek/2RS1/C3	2	
27	Clamping sleeve	H 206	2	
28	Bearing	6206 2RS1/K	2	
29	Clamping sleeve	H 206	2	
30	Retaining ring	S6H62	2	

☆ = recommended spare part

Triple drive unit, type B

Complete unit – XWEB _B900 LB/RB

For SEW R43 gearmotor



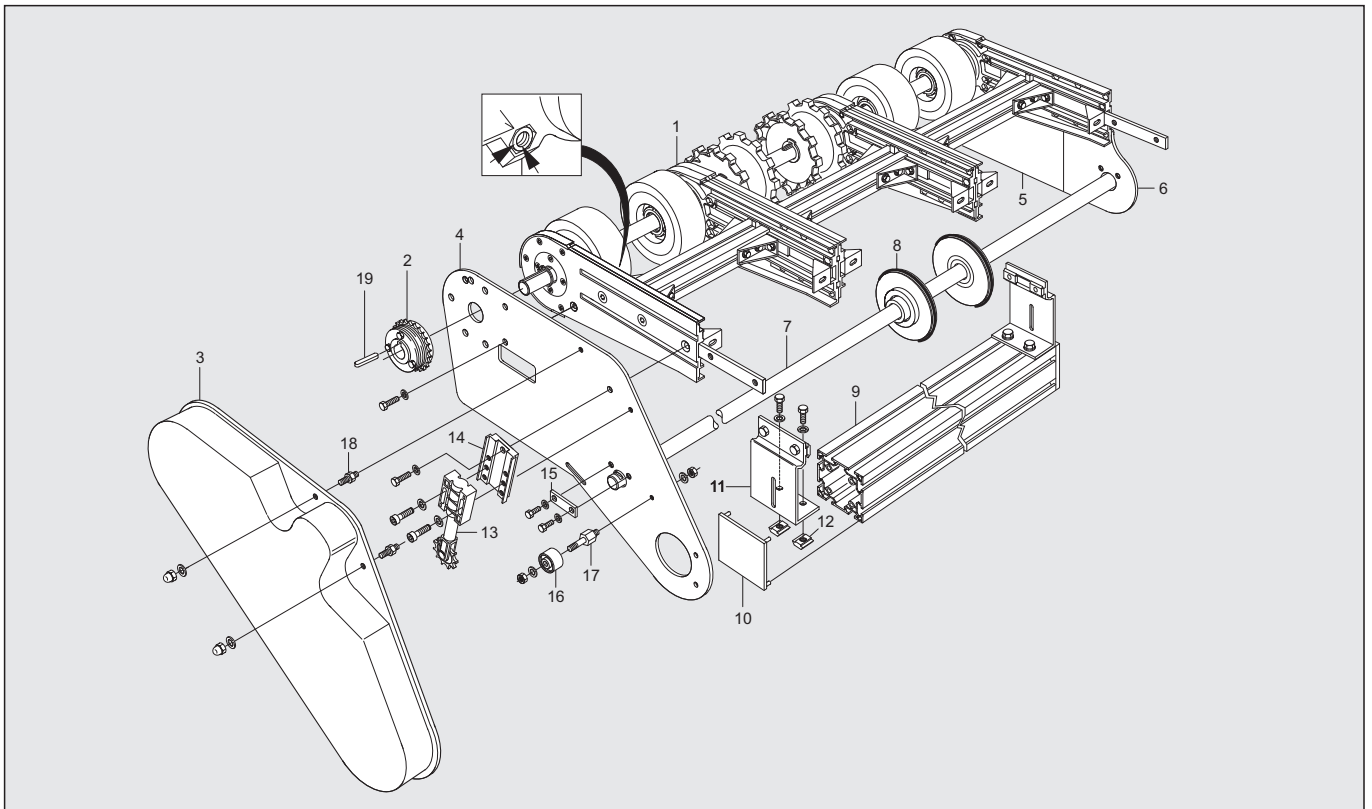
Item	Description	Part No	Qty	Comments
10-unit.....	XWEB 0B900 LB.....	1See next page for details.....
10-unit.....	XWEB 0B900 RB.....	1See next page for details.....
2Sprocket wheel 1/2" including set screw.....	1See table below..... ☆
3Adapter plate including bolts and washers.....	3920853.....	1See SEW R43 gearmotor.....
4Transmission chain 1/2" including connecting link.....	5111232.....	1ISO/R 606-08B..... ☆

☆ = recommended spare part

Sprocket wheel	Part No (SEW)
Z ₁ =17	3921989
Z ₁ =23	3921992
Z ₁ =25	3921993

Triple drive unit, type B

0-unit – XWEB 0B900 LB/RB

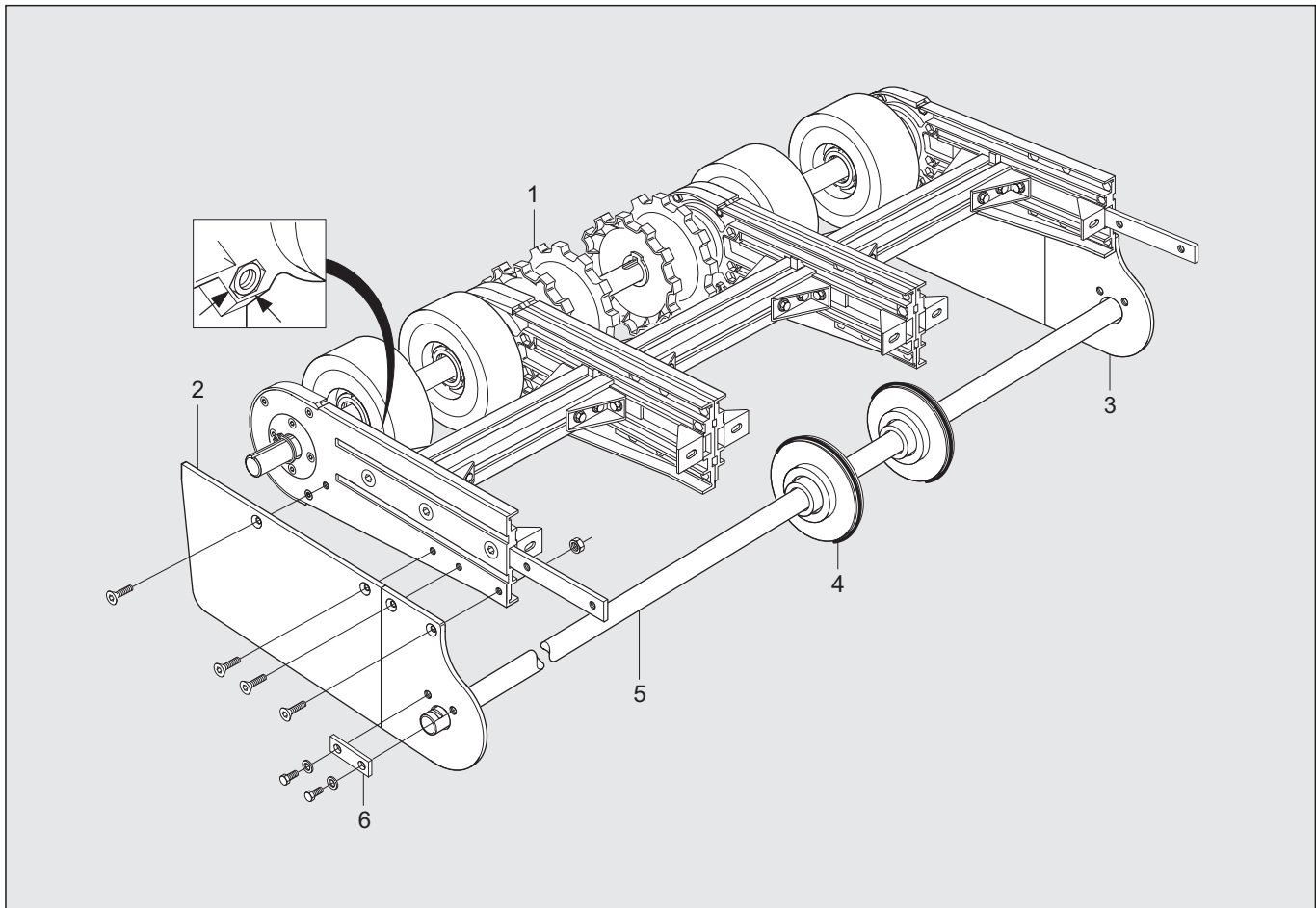


Item	Description	Part No	Qty	Comments
1	Basic unit (left-hand version)	XWEB 0B900 LBU	1	See next page for details
1	Basic unit (right-hand version)	XWEB 0B900 RBU	1	See next page for details
2	Slip clutch Ø25 mm	5053981	1	☆
3	Transmission cover	3905888	1	☆
4	Motor bracket	3905711	1	
5	Slack protection	3905884	1	
6	Wheel slack support	3905887	1	
7	Shaft	3905876	1	
8	Slack wheel	3905958	2	
9	Support beam	3921907	1	
10	End cap	XCBE 88	2	
11	Beam support bracket	XLCT 21x125	2	
12	Square nut	XCAN 8	8	
13	Tension pulley	3904541	1	
14	Distance plate	3904373	1	
15	Lock washer	3905877	1	
16	Wheel	XCAW 48	1	
17	Shaft	3905887	1	
18	Distance screw	3904855	2	
19	Wedge	8x7-40	1	ISO/R 773

☆ = recommended spare part

Triple drive unit, type B

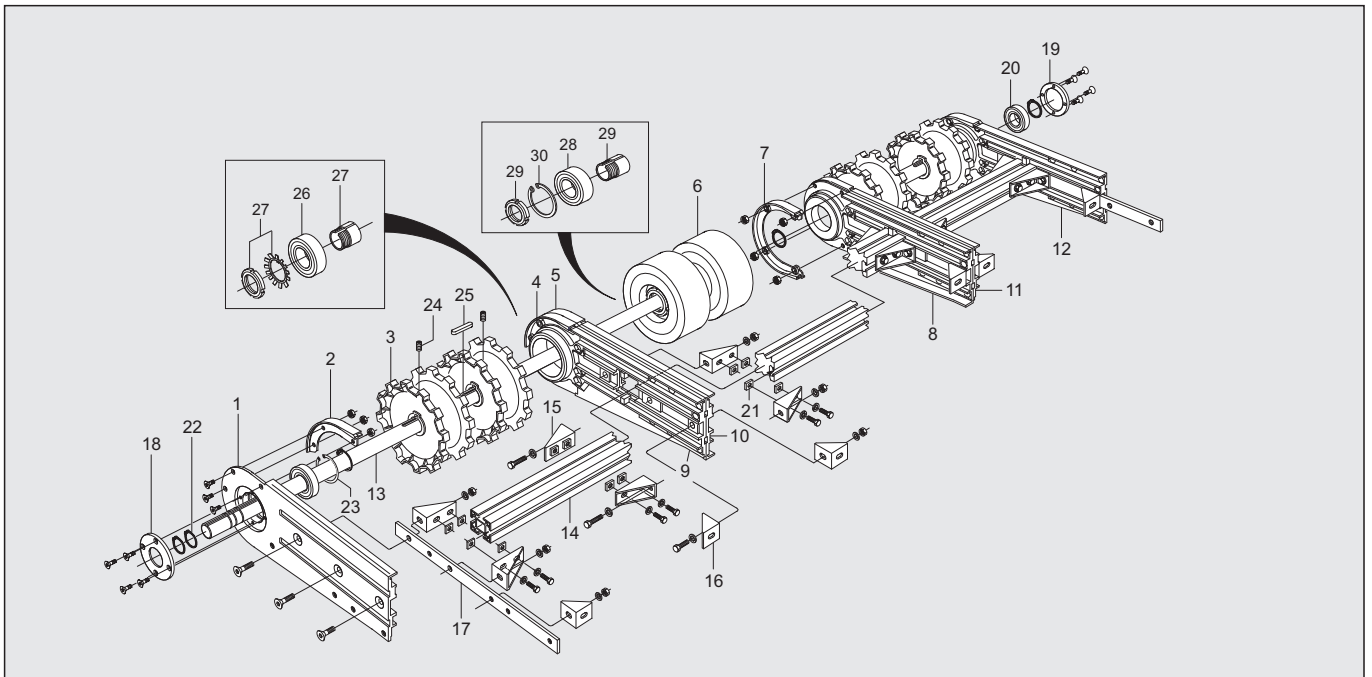
Basic unit – XWEB 0B900 LBU/RBU



Item	Description	Part No	Qty	Comments
1	Basic module (900 LB)	3925389	1	See next page for details
	Basic module (900 RB)	3926144	1	See next page for details
2	Slack protection plate	3905884	2	
3	Wheel slack support	3905877	2	
4	Slack wheel	3905958	2	
5	Shaft	3920805	1	
6	Lock washer	3905877	1	

Triple drive unit, type B

Basic module – XWEB _B900 LB/RB



XWEB B900 LB: Drawing No. 3925389, XWEB B900 RB: Drawing No. 3926144

Item	Description	Part No	Qty	Comments
1	Side plate L	3905717	1	
2	Steering guide L	3905707	2	☆
3	Sprocket wheel	3905400	4	☆
4	Steering guide	3905706	2	☆
5	Steering guide	3905704	1	☆
6	Wheel	3925377	2	Ø130 mm
7	Steering guide	3905705	2	☆
8	Side plate	3905891	1	
9	Intermediate side plate	3921251	1	
10	Intermediate side plate	3921252	1	
11	Side plate	3905890	1	
12	Side plate R	3905716	1	
13	Drive shaft	3921430	1	
14	Beam	3925385	1	
15	Angle bracket	3905478	12	
16	Angle bracket	XLFA 44 B	6	
17	Connecting strip	3925380	2	
18	Cover	3904772	1	
19	Cover	3904671	1	
20	Bearing	2205 E 2RS1/C3	2	TN9 VT 143
21	Slot nut	XLAQ 8	24	
22	Retaining ring	SgA 25	5	
23	Retaining ring	SgH 52	1	
24	Set screw	SK6SS 6x10	4	
25	Wedge	8x7-40	4	ISO/R 773
26	Bearing	2206 Ek/2RS1/C3	1	
27	Clamping sleeve	H 306	2	
28	Bearing	6206 2RS1/K	4	
29	Clamping sleeve	H 206	4	
30	Retaining ring	S6H62	4	

☆ = recommended spare part

