

Plain chain XH - for optical trays



Technical bulletin from FlexLink

5509EN-1

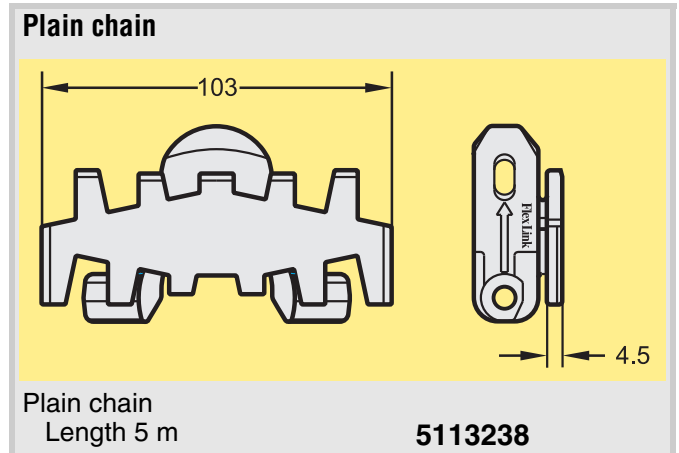
Chain in new material to reduce noise during tray accumulation

This new chain is targeted at the optical industry, where normal chain can cause a noise when trays are accumulated.

The experience shows that trays made in Polystyrene are causing noise during accumulation, while trays in Polypropylene do not cause this noise in the same coverage.

Important features

- This new chain material will eliminate most of the noise when accumulating Polystyrene trays.
- The material is standard acetal resin (POM B)
- Chain colour is grey
- Individual links can not be ordered



(Note! The reduction of noise produced by non Polystyrene trays on this chain has yet to be measured. Further testing is recommended).

