

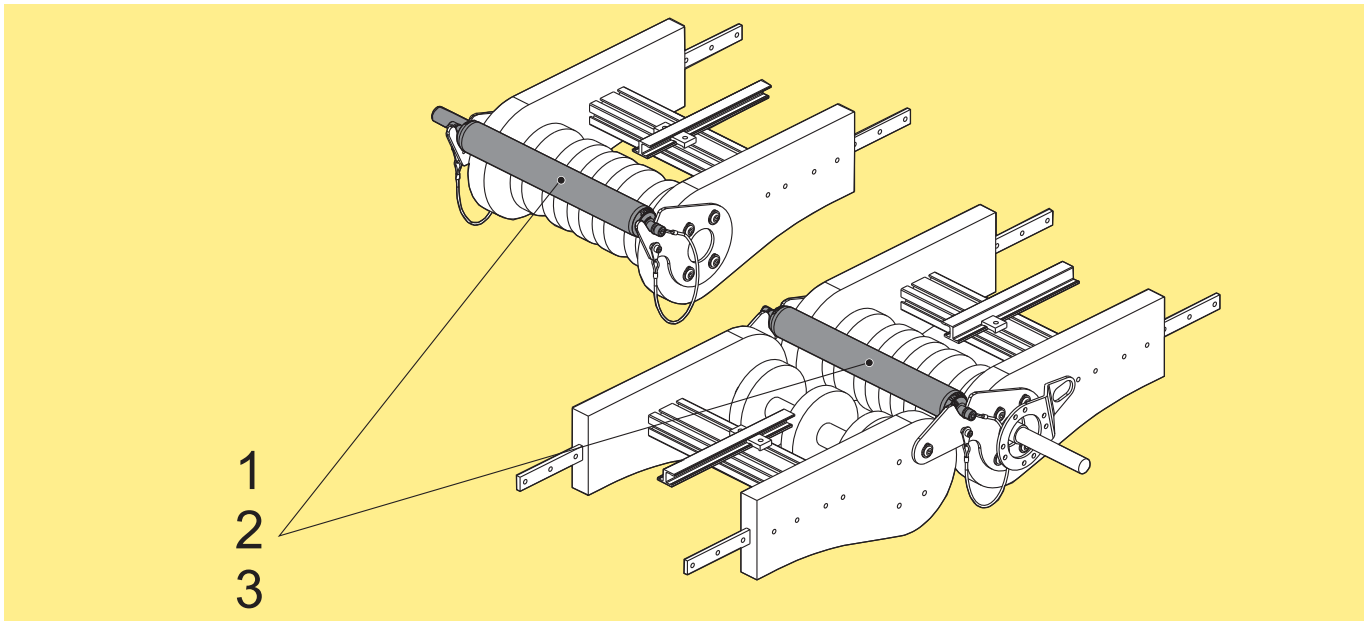
WL Roller Bridges for Product Transfer



A FlexLink standard solution

5771EN-1_SPC

WL Roller Bridges - Spare Parts



| Driven Transfer | Item | Roller | Qty |
|-----------------|------|------------|-----|
| | | Spare Part | |
| 8044640 | 1 | 8044735 | 1 |
| 8044641 | | | |
| 8044642 | 2 | 8044736 | 1 |
| 8044643 | | | |
| 8044644 | 3 | 8044737 | 1 |
| 8044645 | | | |
| 8044646 | 1 | 8044735 | 1 |
| 8044647 | | | |
| 8044648 | 2 | 8044736 | 1 |
| 8044649 | | | |
| 8044650 | 3 | 8044737 | 1 |
| 8044651 | | | |

