

Spare parts Transfer station XTPT L

Technical information from FlexLink



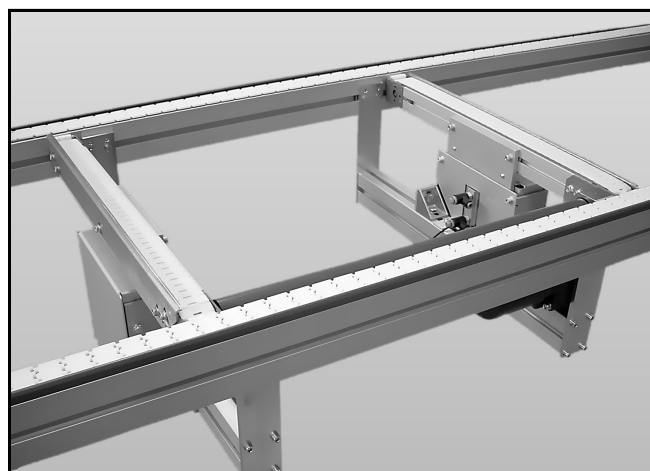
a coesia company

XT012-E9

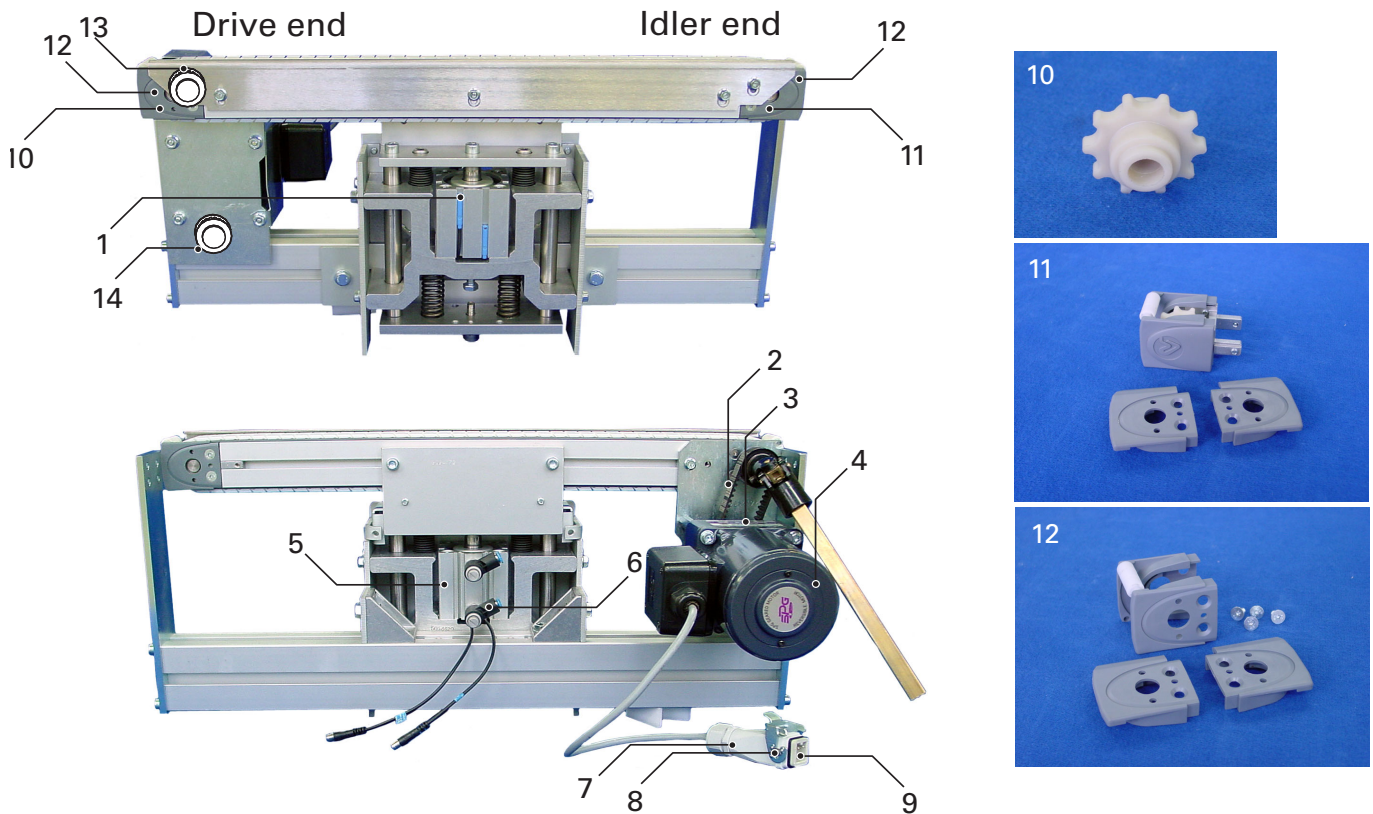
Transfer station XTPT L

Revision list

Document designation	Date	Type of revision	Entered by
XT012-E2	08-09-15		JE
XT012-E3	09-03-18		JE
XT012-E4	10-05-17	Part no. Gear box, changed	JE
XT012-E5	10-08-25	Added new column	CB
XT012-E6	16-01-14	Doc nr, new row, pos 13 14, diameter changed	RP
XT012-E7	20-10-21	New logo/part no.	TG
XT012-E8	22-05-13	Updated idler end info.	IR
XT012-E9	230817	Revised Sensor PartNo	IR



Transfer station XTPT L



Item	Description	Part No	Qty	Comments	Recommended Spare parts
1	Sensor	SICK RZC1-04ZRS-KP0	4		
2	Tooth belt	5111743	1	250-5MGT3-15	
3	Gearbox 12,5:1, 40 W	5113194	1	S9KB12.5BH	
4	AC motor 40 W Rev. 50 Hz, including capacitor 3,0 µF	5111733	1	S9R40GXH-TCE	
	AC motor 40 W Rev. 60 Hz, including capacitor 12,0 µF	5111734	1	S9R40GEH-TCE	
5	Pneumatic cylinder	ADVC-50-25-I-P-A	2	FESTO	
6	Back pressure valve	GRLA-1/8-QS-6-RS-B	4	FESTO	
7	Screw cap	13-08080521	1	Weidmüller	
8	Coupling hood	HDC-HAD-7-KVL 1XM20G	1	Weidmüller	
9	Insert male 3-pole	HDC-HA-3 MS	1	Weidmüller	
10	Drive wheel	5055848	1		
11a	Idler end, standard	XUEJ 50 P	4	Without guides	
11b*	Idler end, conductive	5055846	4		
12**	Idler end kit, standard	5055844	4	Fits both drive and idler end	
	Idler end kit, conductive	5055845	4	Fits both drive and idler end	
13	Belt wheel	5111745	1	20-5-MR-15 (D=12 mm)	
14	Belt wheel	5111745	1	20-5-MR-15 (D=12 mm)	
* Item 11b includes idler end (1), left guide (1) and right guide (1).					
** Item 12 includes side plate without guide (2), left guide (1), right guide (1), roller kit (1) and screws (4).					