

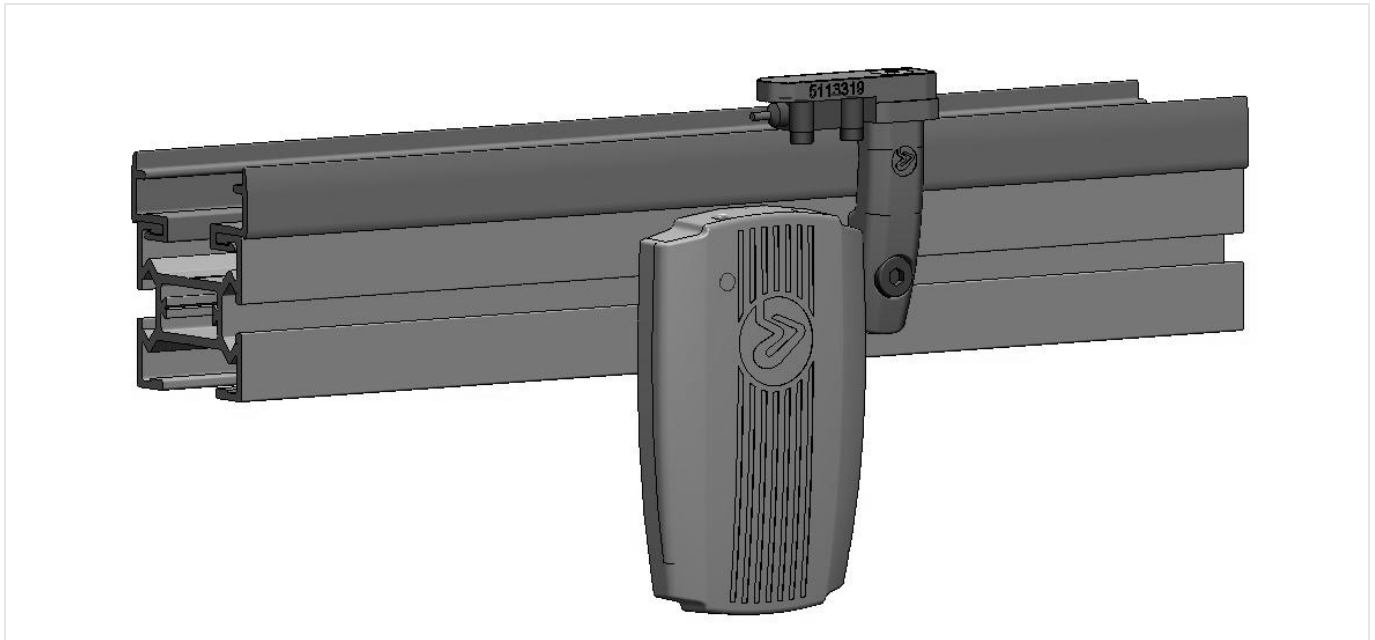


Sensor maximum queue X45e

Technical bulletin from FlexLink

5520EN-1

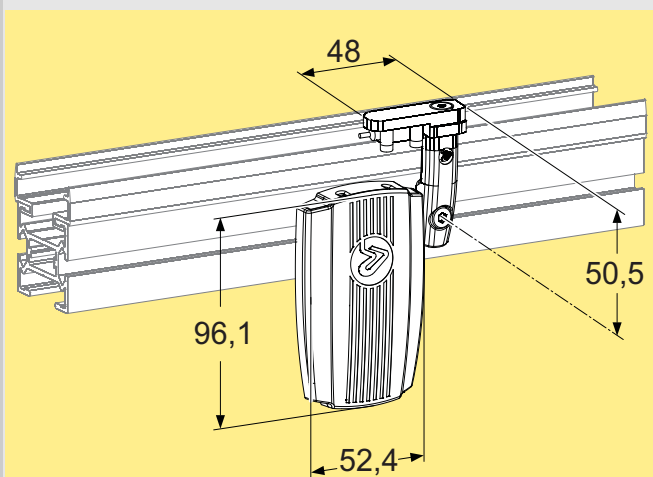
Sensor 5113408



Sensor maximum queue

In order to prevent any jam in the production flow, a maximum queue sensor can be connected. It will read if a unexpected long queue occurs, a signal will be received by the embedded software in previous function motor in the flow and stop the feed or feed through to another flow.

Sensor maximum queue



Sensor maximum queue **5113408**

Figure shows type Left
Including mounting hardware and Cable cover 5113038

Electrical interface

