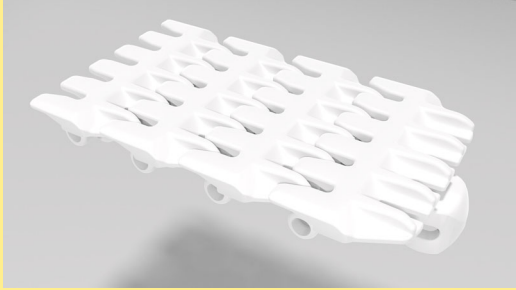
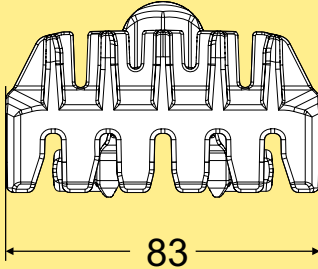
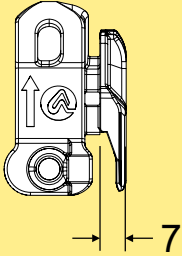


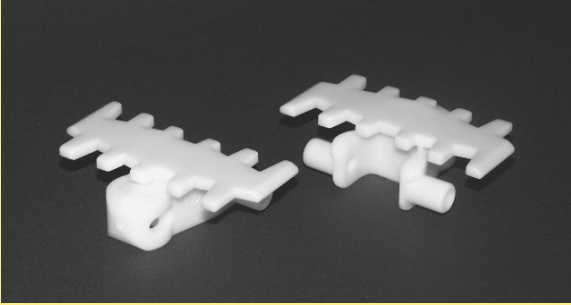
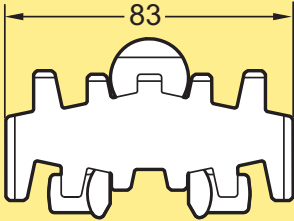
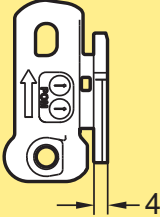
Conveyor system X85X – links and chains

Each link kit contains 10 links, 10 plastic pivots, and 10 stainless steel pins, unless otherwise specified. Material abbreviations: See page III.

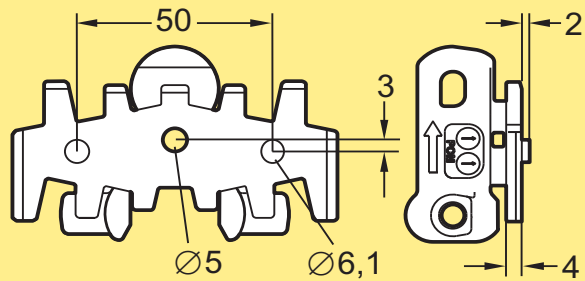
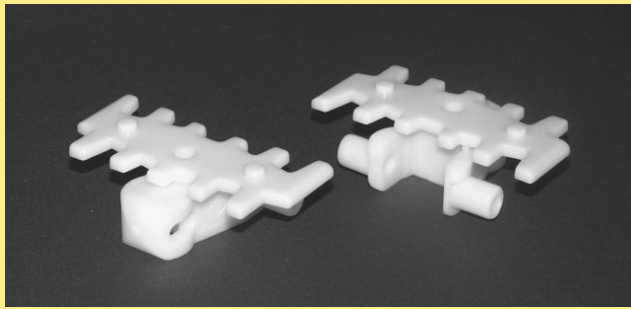
Plain chain

						
Chain	Link(s)	Link kit(s)	Dimensions	Link weight	Material, link	Material, pivot
XBTPX 5A85 K	FLX1004628	FLX1003437			POM A	See page III
XBTP 5A85 K	FLX1004627	FLX1003436			POM F	See page III

Plain chain

						
Chain	Link(s)	Link kit(s)	Dimensions	Link weight	Material, link	Material, pivot
XBTPX 5A85	5059652	5110512		27 g	POM A	See page III
XBTP 5A85	5110431	5110529		27 g	POM B	See page III
XBTP 5A85 C	5110484	5110533		27 g	POM D	See page III
XBTP 5A85 B	5110832	n.a.		27 g	POM A GY	See page III

Universal chain

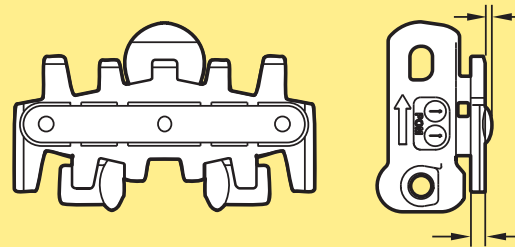
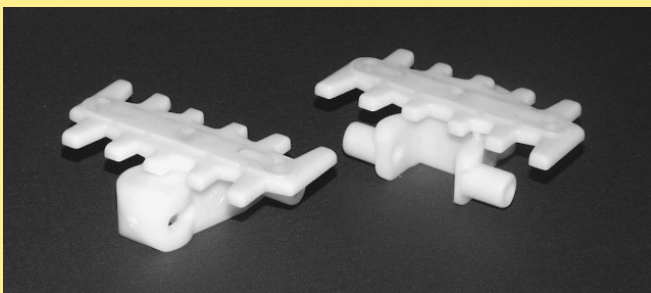


To attach customer specific cleat or fixture. The link has a hole for an M5 screw. An M5 nut will fit inside the link.

Chain	Config.	Link(s)	Link kit(s)	Dimensions	Link weight	Material, link	Material, pivot
XBTF 5A85 U	PAR 1-20	5110375 5110431*	5110526		27 g	POM B	See page III

*Link type between main cleat links.

Friction top chain

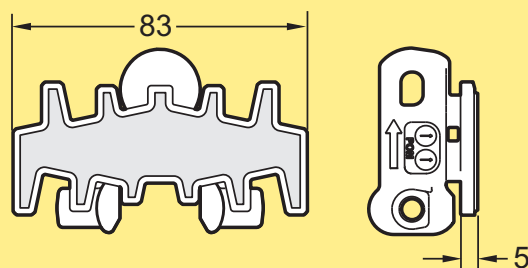
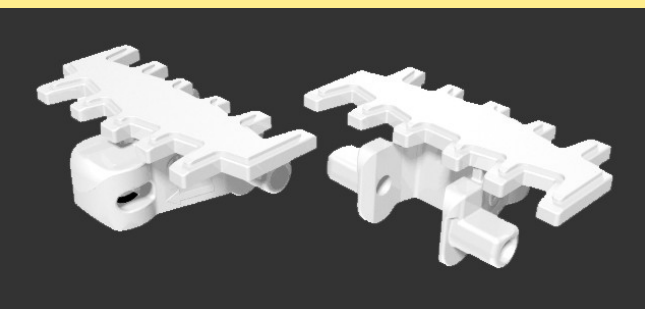


Friction insert is polyether-polyamide. Slope <math><30^\circ</math>. Paper bags, cardboard boxes.

Chain	Config.	Link(s)	Link kit(s)	Dimensions	Link weight	Material, link	Material, pivot
XBTP 5A85 F	-	5110459	5110518		29 g	POM B	See page III
XBTP 5A85 FP	PAR 2-20	5110459 5110431*	5110518		29 g	POM B	See page III

*Link type between main cleat links.

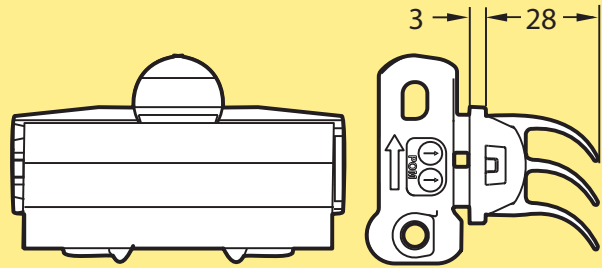
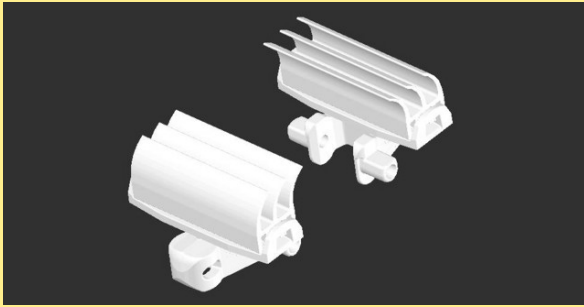
Flat top friction chain



Friction insert is polyether-polyamide. Slope <math><30^\circ</math>. Light goods: blister packs, small boxes, etc.

Chain	Link(s)	Link kit(s)	Dimensions	Link weight	Material, link	Material, pivot
XBTP 5A85 FA	5110378	5110528			POM B	See page III

Flexible cleat chain



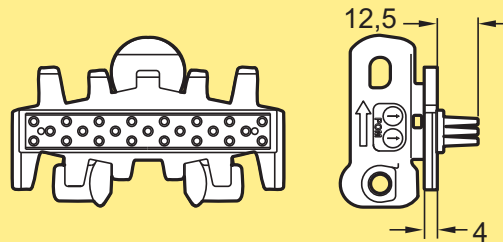
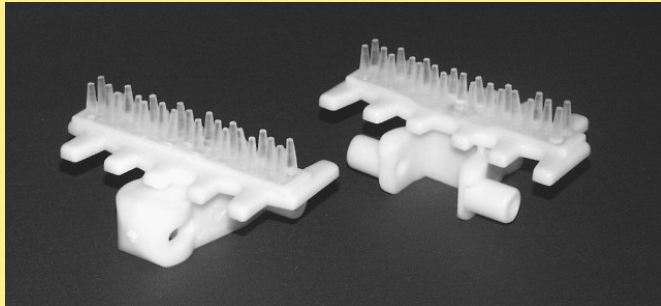
Wedge transport. Soft, flexible surface for sensitive items. Max product weight for: 2,0 kg. Flexible cleat is thermo-plastic elastomer.

Link kit 5110363: 10 base links incl. flexible cleat top (5059812) + pivots + pins.

Link kit 5110515: 10 flexible cleat tops.

Chain	Link(s)	Link kit(s)	Dimensions	Link weight	Material, link	Material, pivot
XBTE 5A85 C	5059812	5110363		40 g	POM B	See page III
		5110515				

Flexible cleat chain

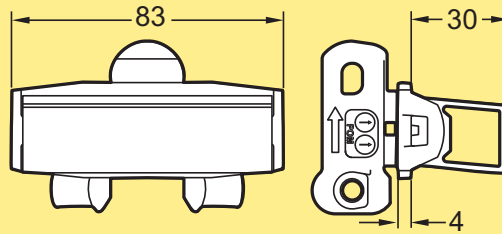
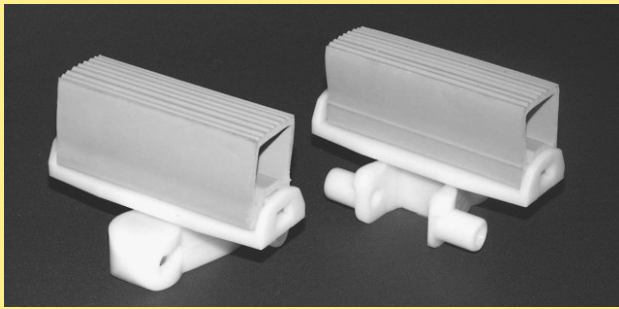


Wedge transport. Recommended for horizontal transport of light products e.g. paper bags, bottles and cans. Max. product weight: 3,0 kg. Flexible insert is polyether-polyamide.

Chain	Link(s)	Link kit(s)	Dimensions	Link weight	Material, link	Material, pivot
XBTE 5A85 B	5110461	5110522		31 g	POM B	See page III

Introduction
X45
X45H
XS
XL
X65
XM
X70X
X85
X85X
XH
XK
X180
X180X
X300
X300X
XT
XTC
WK
WL
WL 222X
WL 273X
WL 374X
WL 526X
WL 678X
ELV
IDX

Flexible cleat chain



Wedge transport. Recommended for irregular shapes. Max. product weight for XMTE 5 D: 4,0 kg.

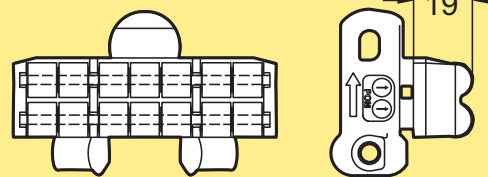
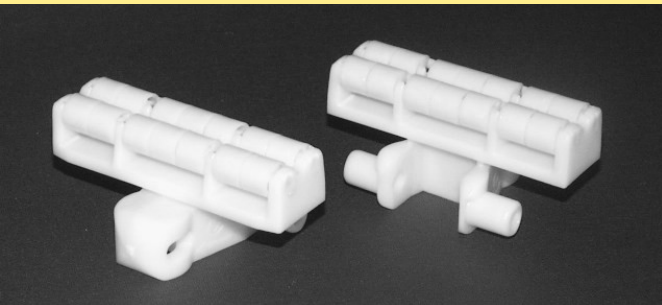
Flexible cleat is EPDM rubber.

Link kit 5110582: 10 base links incl flexible cleat top (5110381) + pivots + pins.

Link kit 5056311: 10 flexible cleat tops.

Chain	Link(s)	Link kit(s)	Dimensions	Link weight	Material, link	Material, pivot
XBTE 5A85 D	5110381	5110582		66 g	POM B	See page III
		5056311				

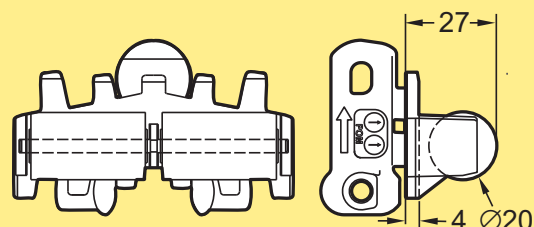
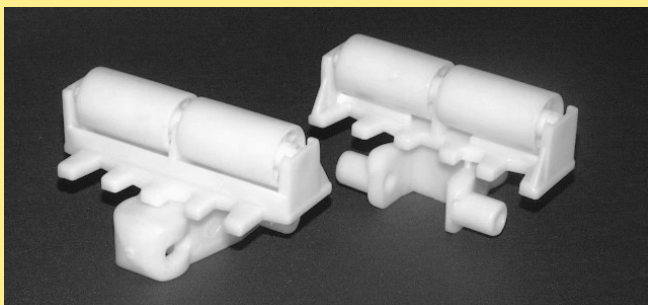
Roller top chain



Accumulation of parcels for lower pressure. Link cannot be used together with plain links in conveyors with bends.

Chain	Link(s)	Link kit(s)	Dimensions	Link weight	Material, link	Material, pivot
XBTR 5A85	5110490	5110520		58 g	POM A/B	See page III
<i>(3902819 Roller, order in multiples of 200 Pcs)</i>						

Roller cleat chain



Accumulation of parcels for lower pressure. To be used for transport of e.g. cardboard boxes.

Chain	Config.	Link(s)	Link kit(s)	Dimensions	Link weight	Material, link	Material, pivot
XBTF 5A85X23 R	PAR 1-20	5110439 5110431*	5110521		59 g	POM A	See page III

**Link type between main cleat links.*

