



FlexLink®

Junction box

5057479-02



Electrical supply

Main (Controlled by Control box)

Voltage	460-480 V (AC)
Phases	3
Frequency	60 Hz
Current	0,5 A
Short-circuit capacity	200kA

Drawings

	1	2	3	4	5	6	7	8
A	Index 100		Layouts 101 102			Circuit diagrams 301		External connections 511
B			Cabinet builder layouts 111 112 113 114 116					
C								
D								
E								

Nr.	Date	Sign	Change		Department	FlexLink		Drawing No.			
					Customer	-		5057479			
					Drawn	FJN	Project No.	7220283			
					Appr.		Date	05-04-07			
						Name	Index	Sheet	100	Next	101

8

7

6

5

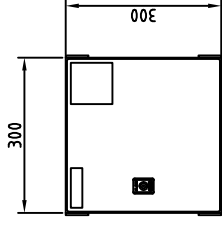
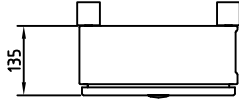
4

3

2

1

- 01. X30101
- 02. F30104
- 03. F30106
- 04. T30103
- 05. T30106
- 06. Q30103
- 07. Q30105
- 08. K30104
- 09. K30106
- 10. X30103
- 11. X30104



Nr.	Date	Sign	Change

Department FlexLink	
Customer -	
Drawn FJN	Project No. 7220283
Appr.	Date 05-04-07

Name Layout, Exterior	
Sheet 101	Next 102

Drawing No. 5057479	
------------------------	--

8

7

6

5

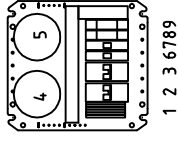
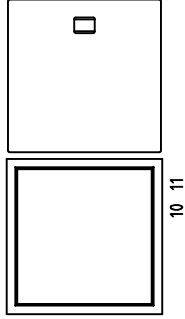
4

3

2

1

- 01. X30101
- 02. F30104
- 03. F30106
- 04. T30103
- 05. T30106
- 06. Q30103
- 07. Q30105
- 08. K30104
- 09. K30106
- 10. X30103
- 11. X30104



A

B

C

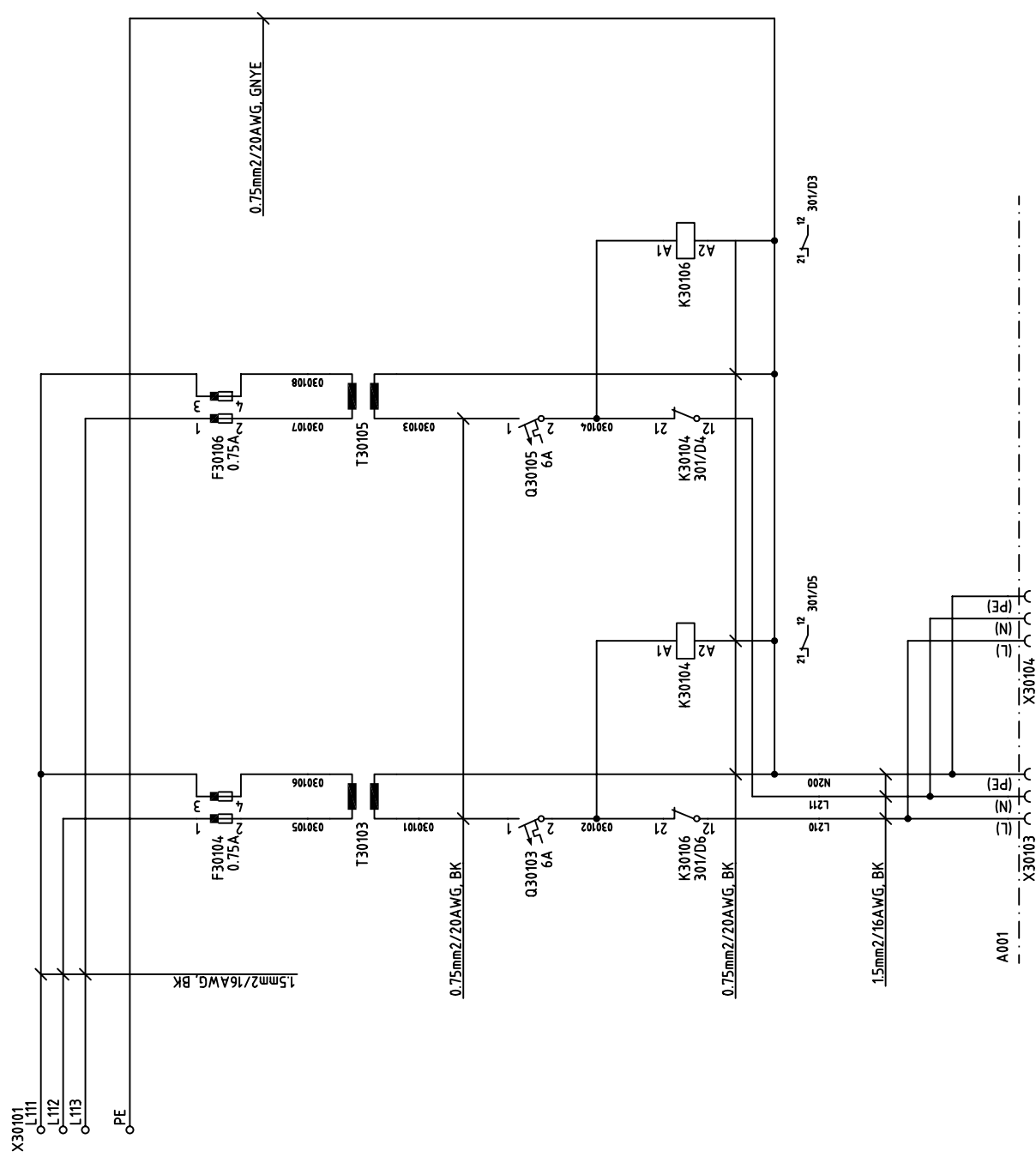
D

E

Nr:	Date	Sign	Change	Department FlexLink	Drawing No. 5057479
				Customer -	
				Drawn FJN	Name Layout, Interior
				Project No. 7220283	
				Date 05-04-07	Sheet 102
					Next 111

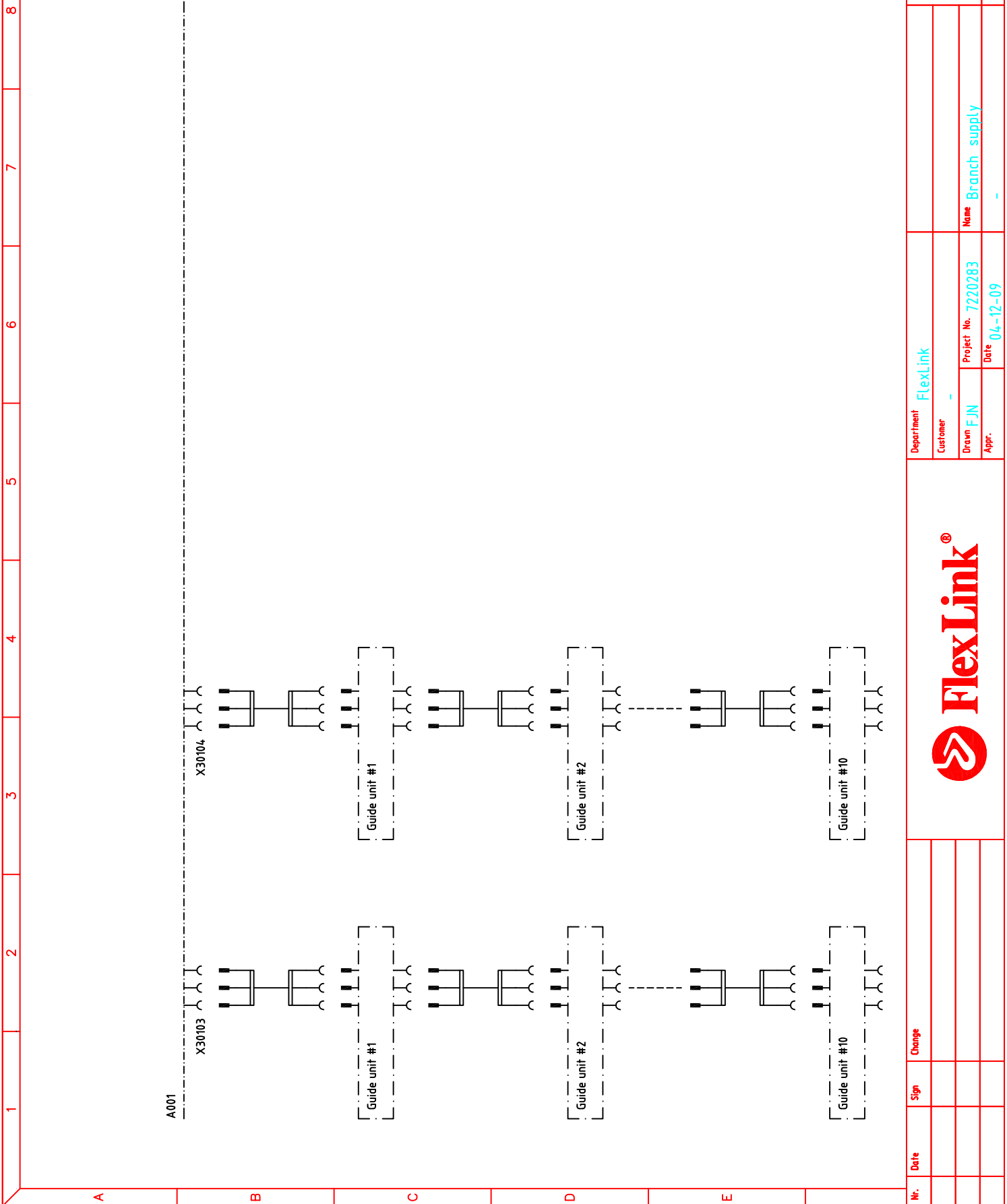


1 2 3 4 5 6 7 8



Nr.	Date	Sign	Change	Department FlexLink		Drawing No. 5057479	
				Customer -	Project No. 7220283	Name Branch supply	Sheet 301
				Drawn FJN	Date 05-03-08		Next 511
				Appr.			





A001

X30103

X30104

Guide unit #1

Guide unit #2

Guide unit #10

Guide unit #1

Guide unit #2

Guide unit #10

No.	Date	Sign	Change



Department		FlexLink	
Customer		-	
Drawn	FJN	Project No.	7220283
Appr.		Date	04-12-09
		Name	Branch supply

Drawing No.		5057479
Sheet	511	Next