

Controls

Contents

FlexLink Device Platform Components507
 FlexLink Device Platform Accessories511

Communication interfaces for drive units.....512



FlexLink Device Platform Components

The FlexLink Device Platform (FDP):

- is multipurpose,
- has a wide range of communication possibilities,
- can standardize interfaces,
- is a proven, easy-to-use enabler for modularity and connectivity as well as
- an enhanced mechatronics offer to the whole FlexLink portfolio.

The FlexLink Device Platform (FDP) includes such groups of components:

SCDCs - field logic controllers with Embedded Software to support the Distributed Controls concept.

SCMDs - integrated motors (e.g.: Hypergear Wormgear Motor, and Hyperdrive Stepper Motor) to standardized controls layer and due to that supports a wide range of mechatronic functions.

SCPDs - power distribution devices to provide power supply to the FDP components.

P0
 CC
 X45
 XS
 X65
 X65P
 X85
 X85P
 XH
 XK
 XKP
 X180
 X300
 GR
 CS
 XT
 HU
 WL
 WK
 XC
 XF
 XD
 ELV
 SC
 FST
 TR
 APX
 IDX

SCDC

The SCDC is a configurable and robust field logic controller design for decentralized applications. It is available in two hardware versions: CANopen or RS485. The SCDC is delivered with Embedded Software and can be used in various applications. FlexLink is using SCDC for:

- FlexLink generic firmware applications where the SCDC device mirrors and translates PLC controls to the field equipment (e.g., sensors, CAN drives, and many more), and brings a standard interface for PLC controls as well as the standard interface for Digital Services (through MQTT). This approach is used in the conveyor systems provided by FlexLink.
- Dedicated platform-specific implementations where SCDC is used to fulfil required algorithms to control FlexLink standard products.

SCDC provides a wide range of communication possibilities, including PROFINET, EtherNet/IP, and the MQTT, as well as field communication such as IO-Link, CANopen, RS485, and local I/O. This wide range of communication possibilities allows the user to connect with many devices for example PLC, IoT devices and IT servers, HMI, distributed frequency inverters to control conveyors, CANopen drives, barcode readers, RFID readers, IO-Link devices and IO-Link hubs, and sensors or actuators through local I/O.

Due to the wide range of communication possibilities, the SCDC and the whole FlexLink Device Platform are ready and compatible with a wide range of external components from 3rd party suppliers. For detailed information, please refer to the technical documentation.

Communication possibilities



Technical data

SCDC Distributed Controllers

FlexLink Device Platform - Field Controller

Distributed Controller, CAN **SCDC 12I4OCAN**
 Distributed Controller, RS485 **SCDC 12I4ORS485**

	SCDC 12I4OCAN	SCDC 12I4ORS485
M12 connector		
PWR	24 V _{DC} , T-coded	RS485
COM	CAN	
ETH	2 x Ethernet ports	
X1-X4	4 x (IO-Link + DI)	
X5, X6	2 x (DI + DI)	
X7, X8	2 x (DO + DO)	
Diagnose LED	1 x power 1 x Run 2 x LAN activity 1 x error, 1 x CAN activity 8 x IOs	
Dimensions WxHxD [mm]	210x85x35	
Max power loss [W]	4.5	
Weight [g]	900	
EMC	Conforms to IEC 61000-6-2 and IEC 61000-6-4	
IP-rating	IP65 according to IEC 60529	
Temperature [°C]	Operating ambient: -20 to +55 Storage: -20 to +60	
Humidity [%]	Relative 5 to 95 no condensation	
Compliance	CE	
Included in delivery	1 x SCDC 12I4OCAN / 12I4ORS485 4 x M5 x 16 - 8.8 - A2K screw 4 x end plugs	

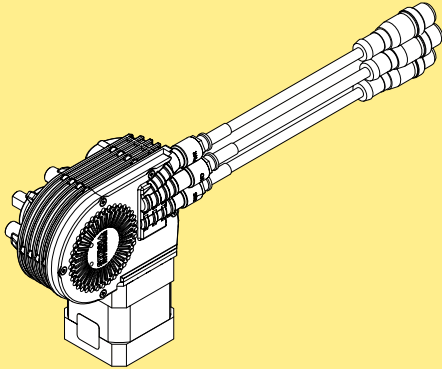
SCMD

The SCMD Integrated Motors are equipped with single-turn encoders and are ready-to-use mechatronic drives that allow FlexLink to build electrical functions with precise positional control of mechanical systems such as stoppers, diverters, mergers, and many more.

Note!

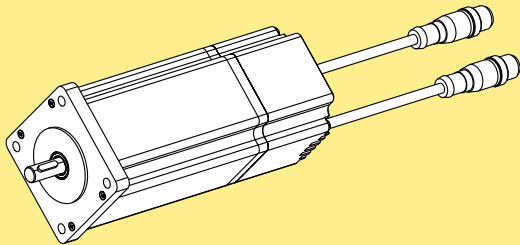
The SCMD Integrated Motors can be used only with the SCDC Distributed Controller.

Direct current motor, with gear, encoder & driver



CANopen, T=2.7Nm: **SCMD CAN2.7-001**
 CANopen, T=5Nm: **SCMD CAN5-001**
 CANopen, T=10Nm: **SCMD CAN10-001**
 CANopen, T=15Nm: **SCMD CAN15-001**

Direct current motor, gear-less, with encoder & driver

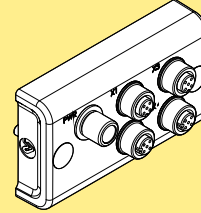


CANopen, T=3.7Nm: **SCMD CAN3.7-003**

SCPD

The SCPD, Power Distributor components provide compact power distribution for 24V_{DC} to supply other FlexLink Device Platform components. The M12 connector is used, and power boxes are available in three different sizes/types, depending on outlet numbers, power, and connection coding (A- and T-code).

Power Distributor



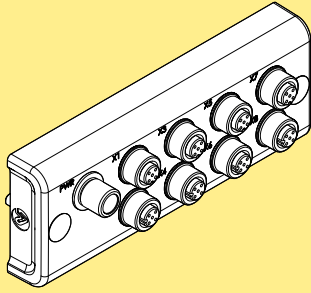
Power Box (4 ports 24V) A-code
 M12 A-code
 Bracket kit

SCPD 424VDC16A
FLX1000458

Technical data

SCPD 424VDC16A		
Dimensions WxHxD [mm]	97x56x20	
Weight [g]	320	
Max power loss [W]	4.8	
EMC	Conforms to IEC 61000-6-2 and IEC 61000-6-4	
IP-rating	IP65, unused connectors must be plugged	
Temperature [°C]	Operating ambient: -20 to +55 Storage: -20 to +60	
Humidity [%]	Relative 5 to 95, no condensation	
Compliance	CE	
	POWER	X1 - X4
Type	M12 T-Power male 4-pin	M12 A-coded female 4-pin
Fuses	No	
Current I _{max} [A]	10	4
Nominal voltage	24 V _{DC} (L+=24V _{DC} L -=0V _{DC})	
Voltage	18 - 30 V _{DC}	

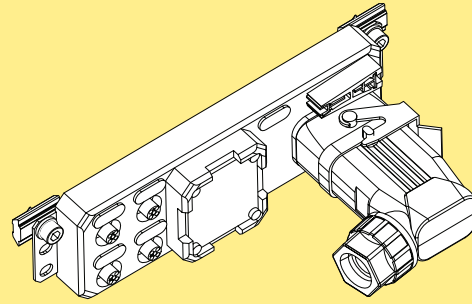
Power Distributor



Power Box (8 ports, 24V)
A-code
M12 A-code
Bracket kit

SCPD 824VDC16A
FLX1000396

Power Distributor



Power Box (4 ports, 24V)
T-code
M12 T-code

SCPD 424VDC16A H

Note: Max 10A per channel, including fuses.

Technical data


SCPD 824VDC16A		
Dimensions WxHxD [mm]	147x56x20	
Weight [g]	500	
Max power loss [W]	4.8	
EMC	Conforms to IEC 61000-6-2 and IEC 61000-6-4	
IP-rating	IP65, unused connectors must be plugged	
Temperature [°C]	Operating ambient: -20 to +55 Storage: -20 to +60	
Humidity [%]	Relative 5 to 95, no condensation	
Compliance	CE	
	POWER	X1 - X8
Type	M12 T-Power male 4-pin	M12 A-coded female 4-pin
Fuses	No	
Current I _{max} [A]	10	4
Nominal voltage	24 V _{DC} (L+=24V _{DC} L -=0V _{DC})	
Voltage	18 - 30 V _{DC}	

Technical data

SCPD 424VDC16A H	
Dimensions WxHxD [mm]	212x60x64 (Power box without connector)
Weight [g]	700
IP-rating	IP66, IP67
Temperature [°C]	Operating ambient: -25 to 60 Storage ambient: -25 to 80
	X1 - X4
Fuses	Yes
Current I _{max} [A]	10
Nominal voltage	24 V _{DC}
Voltage	Max 30,5 V _{DC}


Cables

Can Cables



Connection cable:
 0.3m **FLX1005450**
 2m **FLX1005451**
 5m **FLX1005452**


Can Cables



Connection cable kit:
 Cable kit **FLX1005449**
Cable with open end plus connector for self-assembly


Connectors

Can Connectors




T-connector, 5-pin **FLX1005446**

Can Connectors



Fieldbus termination:
 CAN, male **FLX1005447**

Can Connectors



Fieldbus termination:
 Connector 5-pin male **FLX1005448**

CC

X45

XS

X65

X65P

X85

X85P

XH

XK

XKP

X180

X300

GR

CS

XT

HU

WL

WK

XC

XF

XD

ELV

SC

FST

TR

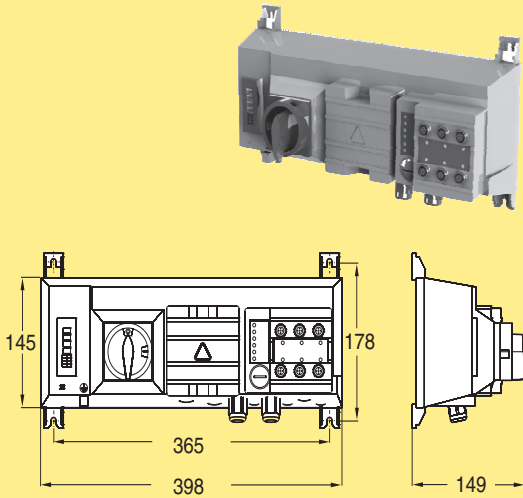
APX

IDX

Communication interfaces for drive units

Profibus, and DeviceNet, Profinet and Ethernet/IP type fieldbus interfaces are available. Type Z6 includes a power switch.

Field bus interfaces

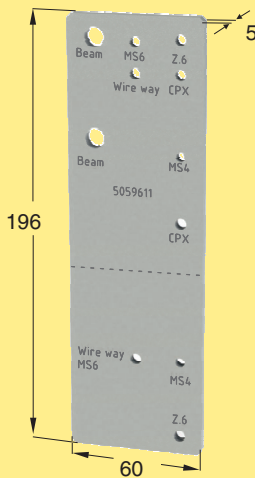


Field bus interfaces

Z.6 Profibus (4 digital inputs and 2 digital outputs included, M12)	5057737
Z.6 DeviceNet (4 digital inputs and 2 digital outputs included, M12)	5057738
Z.6 Profinet (4 digital inputs and 2 digital outputs included, M12)	5122718
Z.6 Ethernet/IP (4 digital inputs and 2 digital outputs included, M12)	5122719

Accessories

Bracket kit for Air supply equipment, Field bus interfaces



Bracket kit **5111952**

Including one pair of bracket 5059611.