
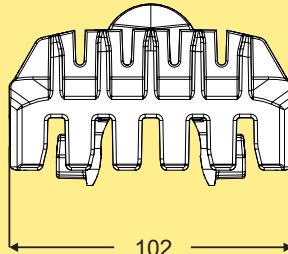
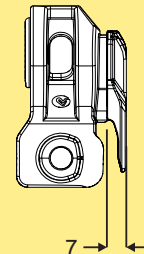


# Conveyor system XK - links and chains


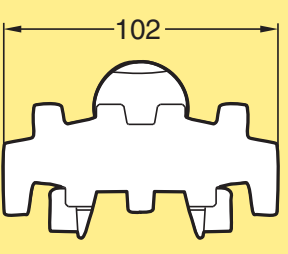
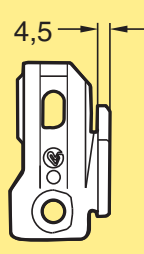
Each link kit contains 10 links, 10 plastic pivots, and 10 stainless steel pins, unless otherwise specified.

Material abbreviations: See page III.

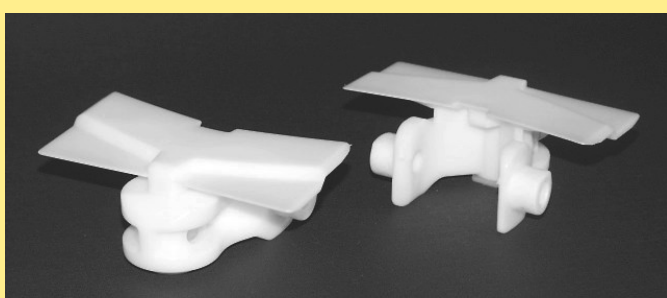
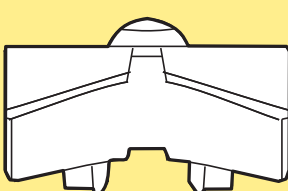
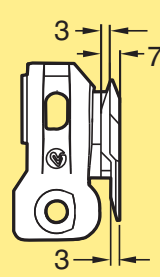
## Plain chain

  						
Chain	Link(s)	Link kit(s)	Dimensions	Link weight	Material, link	Material, pivot
XKTP 5 K	FLX1002427	FLX1003736		57 g	POM B	See page III

## Plain chain

  						
Chain	Link(s)	Link kit(s)	Dimensions	Link weight	Material, link	Material, pivot
XKTP 5	XKTL 102	5056639		57 g	POM B	See page III
XKTP 5 C	5110826	n.a.			POM D	See page III
3927151	3927153	5056640			POM B GY	See page III


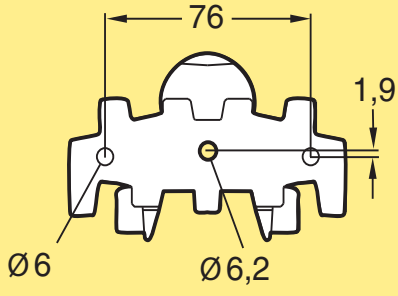
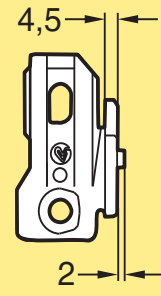
## Closed-top chain

  						
Chain	Link(s)	Link kit(s)	Dimensions	Link weight	Material, link	Material, pivot
XKTP 5 A	XKTL 102 A	5056641		60 g	POM B	See page III
5116328	5116329	n.a.		60 g	POM B GY	See page III

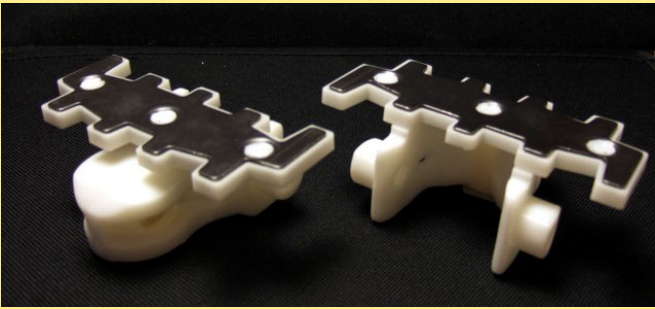
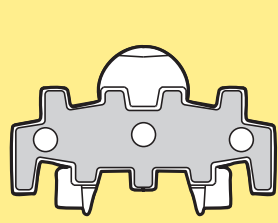
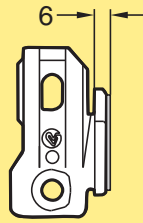
Plain chain, close-fitting, non-fingered design. Note: This chain is not a direct replacement for the standard XKTP 5 in all applications.

Introduction  
X45  
X45H  
XS  
XL  
X65  
XM  
X70X  
X85  
X85X  
XH  
XK  
X180  
X180X  
X300  
X300X  
XT  
XTC  
WK  
WL  
WL 222X  
WL 273X  
WL 374X  
WL 526X  
WL 678X  
ELV  
IDX

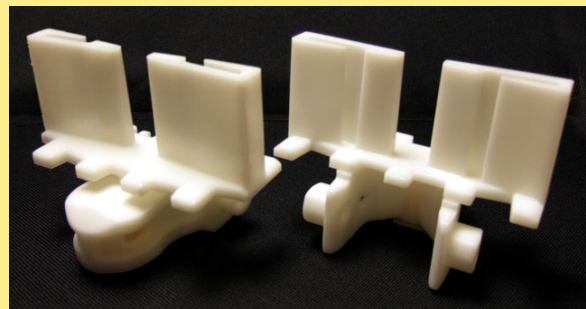
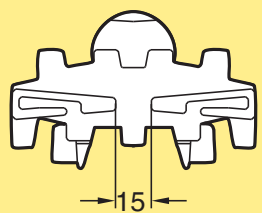
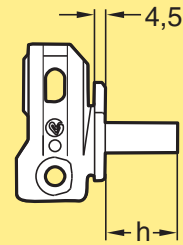
## Universal chain

						
To attach customer specific cleat or fixture.						
Chain	Link(s)	Link kit(s)	Dimensions	Link weight	Material, link	Material, pivot
XKTF 5 U...	XKTL 102 U	5056642		58 g	POM B	See page III

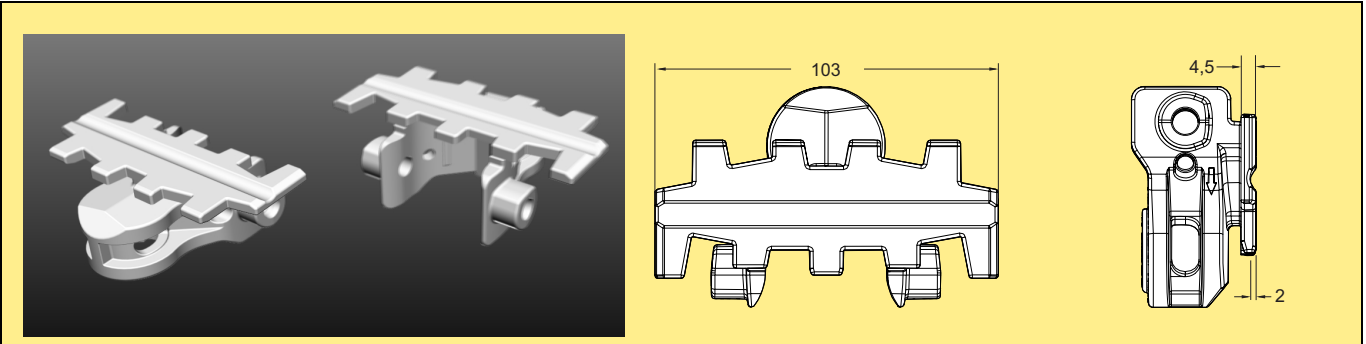
## Steel top chain, fingered

						
Top surface is stainless steel. Cast-metal products. Accumulation.						
Chain	Link(s)	Link kit(s)	Dimensions	Link weight	Material, link	Material, pivot
XKTP 5 TF	XKTL 102 TF	5056644		85 g	POM B + SS	See page III

## Cleated chain

						
Cylindrical rollers.						
Chain	Link(s)	Link kit(s)	Dimensions	Link weight	Material, link	Material, pivot
XKTF 5X15 A...	XKTL 102X15 A	5056645	h=15 mm	71 g	POM B	See page III
XKTF 5X20 A...	XKTL 102X20 A	5056646	h=20 mm	75 g	POM B	See page III
XKTF 5X30 A...	XKTL 102X30 A	5056647	h=30 mm	83 g	POM B	See page III
XKTF 5X40 A...	XKTL 102X40 A	5056648	h=40 mm	90 g	POM B	See page III

# Cleated chain



Cylindrical rollers.

Chain	Link(s)	Link kit(s)	Dimensions	Link weight	Material, link	Material, pivot
5113645	5113648	5113647		56 g	POM B	See page III

Introduction  
 X45  
 X45H  
 XS  
 XL  
 X65  
 XM  
 X70X  
 X85  
 X85X  
 XH  
**XK**  
 X180  
 X180X  
 X300  
 X300X  
 XT  
 XTC  
 WK  
 WL  
 WL 222X  
 WL 273X  
 WL 374X  
 WL 526X  
 WL 678X  
 ELV  
 IDX

