

Support components Series X

Contents

Support system components, X70X, X85X,
X180X, X300X, WLX 184
Support legs 187

Example of support profiles 189
Example of support profiles 190



Introduction

The support used for the conveyor consists of a stainless steel tube, which is connected to the conveyor beam by means of a connector plate and beam support bracket.

A two- or three-point foot of glass-fibre reinforced polyamide complete with connecting elements is available for use with conveyor supports of all system widths. The foot has threaded bushings and spacers in nickel-plated brass.

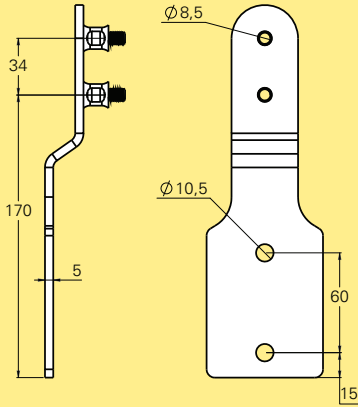
The maximum adjusting height of the adjustable feet is 30 mm. Anti-slip pads can be fitted to the adjustable feet. Apart from increasing the friction if the feet are not bolted to the floor, these also reduce vibration.

The components have also been evaluated and designed to reduce pinch points in order to improve personal safety.

Other support variants are available on request.

- PO
- X70X
- X85X
- X180X
- X300X
- WL
222X
- WL
273X
- WL
374X
- WL
526X
- WL
678X
- CSX
- GRX
- FSTX
- TR
- APX
- IDX

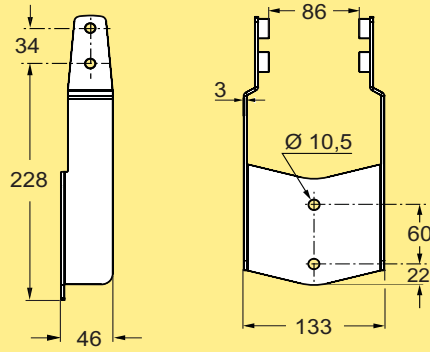
Beam support bracket X70X



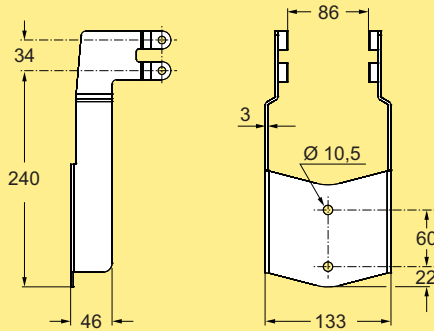
Beam support bracket
Stainless steel

XLCSX A70 PB

Beam support bracket X85X

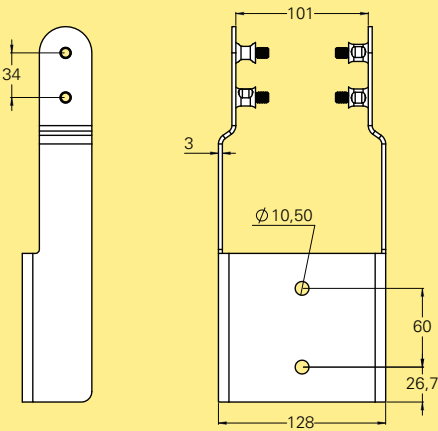


Beam support bracket, **straight beam 5114653**
Stainless steel

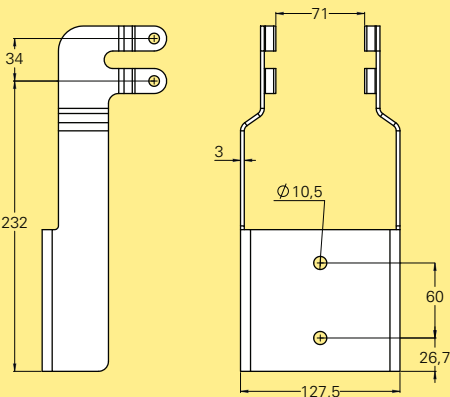


Beam support bracket, **drive unit 5114999**
Stainless steel

Beam support bracket X70X

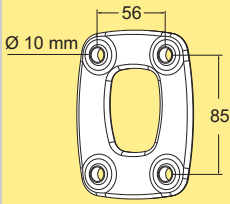


Beam support bracket, **straight beam XLCSX A70 B**
Stainless steel



Beam support bracket, **drive unit XLCSX A70 D**
Stainless steel

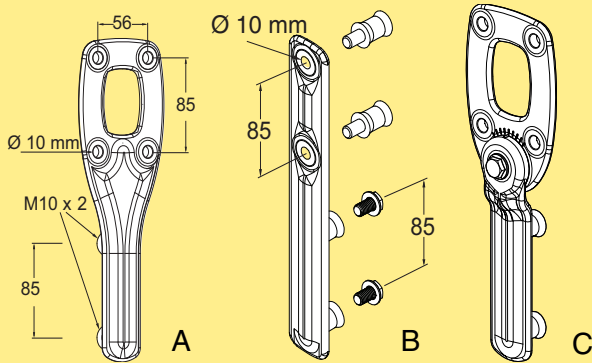
Connecting bracket



Connecting Bracket
For beam
Including M10 screws x4

WLCJX 10X56

Beam support brackets



Beam support bracket (A)
Including 6 pcs M10 screws

WLCSX 10X56

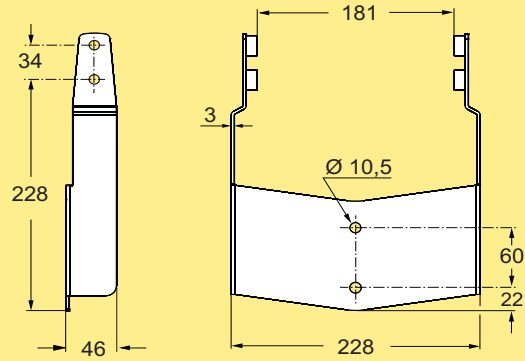
Beam support bracket (B)
Including 2 pcs M10 screws and
2 pcs spacer WLRDX M10X25

WLCSX 10

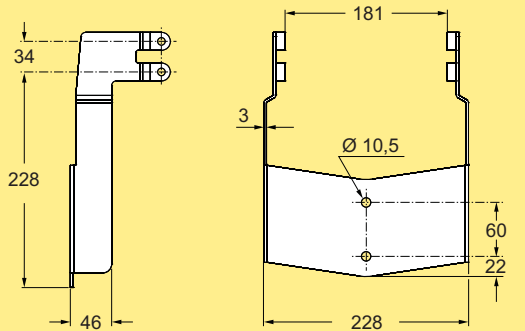
Beam support bracket (C)
Adjustable $\pm 40^\circ$

**WLCSX
10X56V40**

Beam support bracket X180X

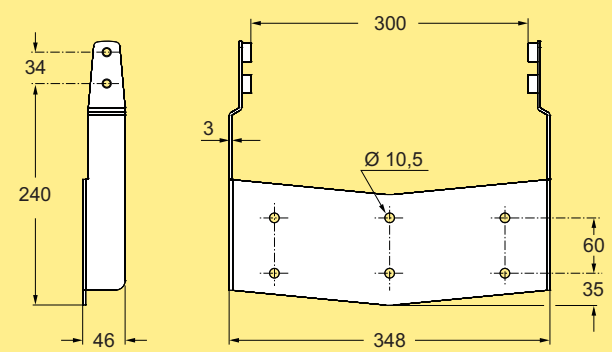


Beam support bracket, **straight beam 5114654**
Stainless steel

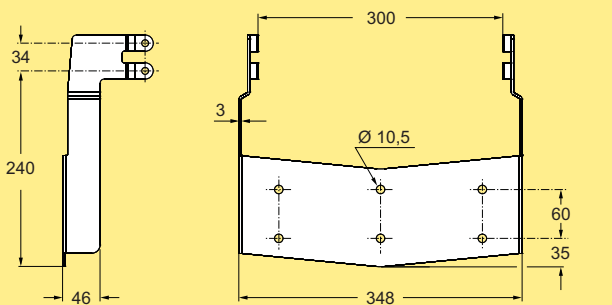


Beam support bracket, **drive unit 5115001**
Stainless steel

Beam support bracket X300X



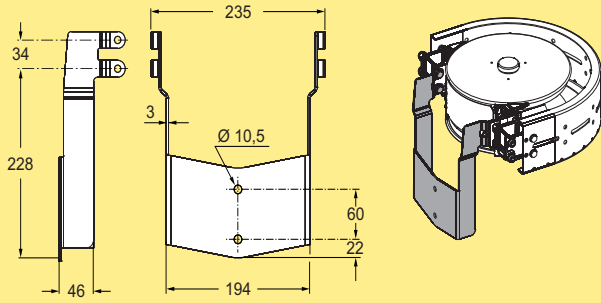
Beam support bracket, **straight beam 5114655**
Stainless steel



Beam support bracket, **drive unit 5114998**
Stainless steel

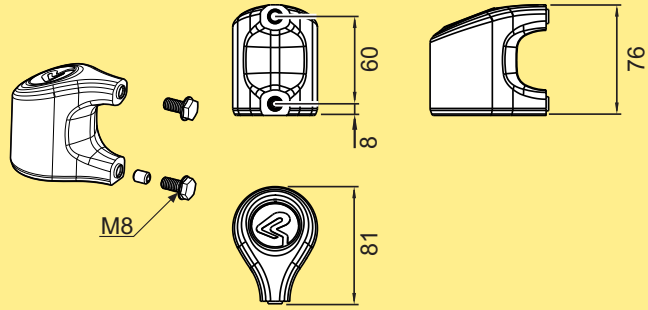
PO
X70X
X85X
X180X
X300X
WL
222X
WL
273X
WL
374X
WL
526X
WL
678X
CSX
GRX
FSTX
TR
APX
IDX

Beam support bracket



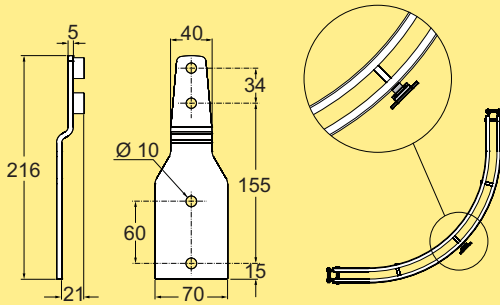
Beam support bracket, **wheel bends** **5115171**
Stainless steel

Beam support bracket



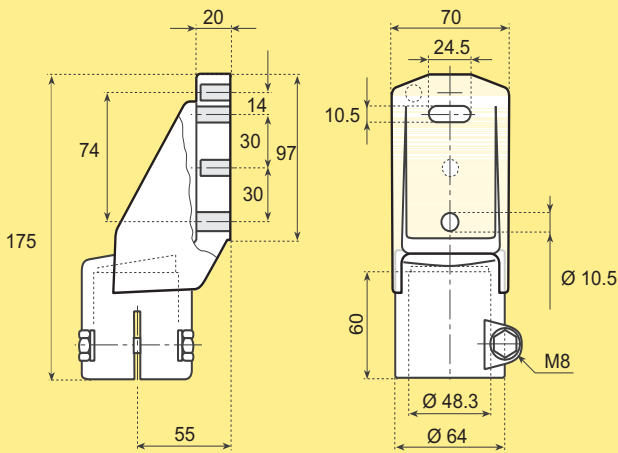
Beam support bracket
(2) M8 screws, (1) setscrew **XBCSX 48**

Beam support bracket



Beam support bracket, reinforced single-sided suspension for support of **plain bends**
Stainless steel

Beam support bracket

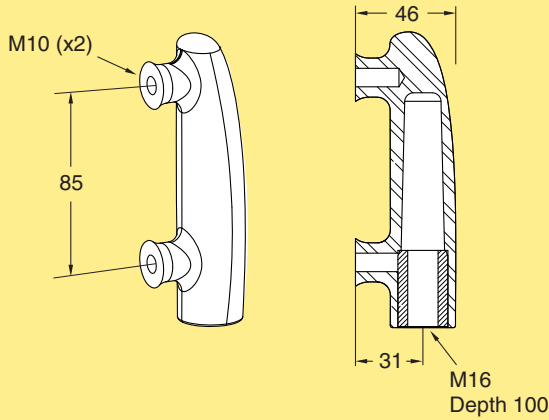


Beam support bracket **5114458**
Reinforced polyamide. (2) Screw M6S 10x35 A4, (2) Hex domed cap nut MHM M10 A4, and (2) Washer BRB 10,5x20 A4 in stainless steel (not included)

For mounting hardware, see chapter Fasternes (FSTX)

Support legs

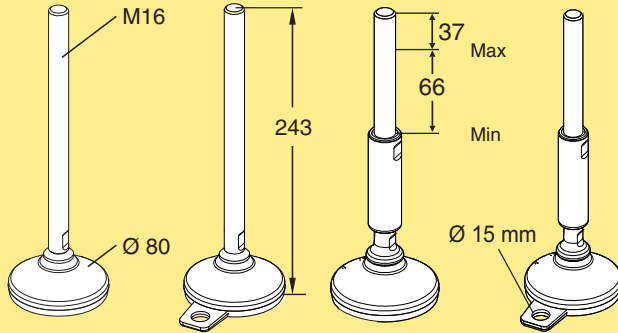
Connector for adjustable foot



Connector
Connector
Incl. two screws

XCFCX 16x100

Adjustable foot

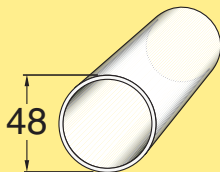


Adjustable foot

M16
M16, Anchoring
M16, EHEDG/3A
M16, Anchoring, EHEDG/3A

XCFSX 16x80
XCFSX 16x80 A
XCFSX 16x80 H
XCFSX 16x80 HA

Support profile

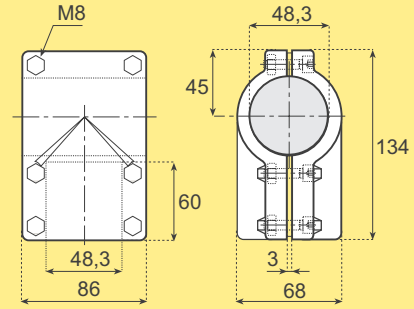


Support profile

Stainless steel
Length 3000 mm +50 -10 mm
Length to order

XCBMX 3x48
XCBMX Lx48

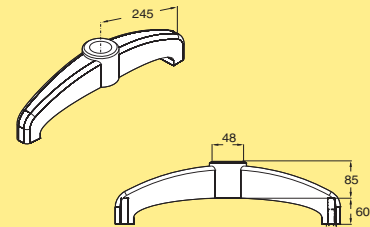
T-connector



T-connector
Reinforced polyamide, screws
and nuts in stainless steel

5114962

Polyamide foot, 2-point

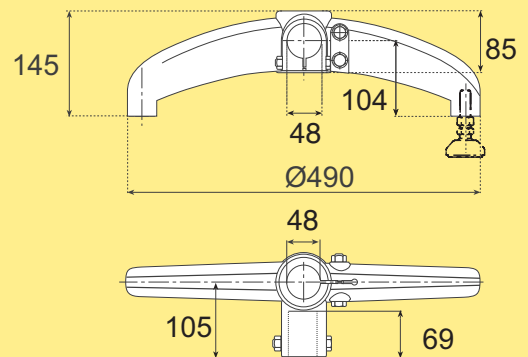


Two-point foot

Reinforced polyamide
Threaded bushings and spacers in
nickel plated brass
(Adjustable foot XCFS 16x60x115 not
included)

XCFG 48 D

Polyamide foot, 2-point with joint



Two-point foot

Reinforced polyamide
Threaded bushings and spacers in
nickel plated brass
(Adjustable foot XCFS 16x60x115 not
included)

XCFG 48 DJ

PO
X70X
X85X
X180X
X300X

WL
222X

WL
273X

WL
374X

WL
526X

WL
678X

CSX

GRX

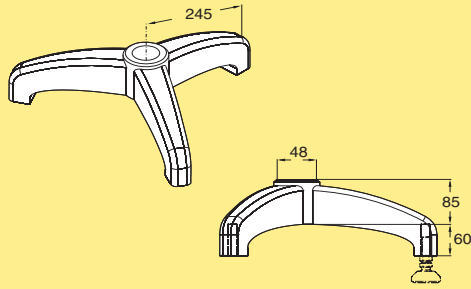
FSTX

TR

APX

IDX

Polyamide foot, 3-point



Three-point foot

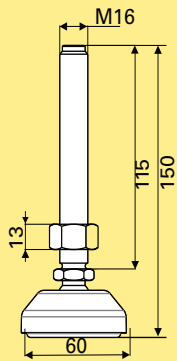
Reinforced polyamide

Threaded bushings and spacers in
nickel plated brass

*(Adjustable foot XCFS 16x60x115 not
included)*

XCFG 48 T

Polyamide foot, adjustable



Adjustable foot

Stainless steel

M16 thread

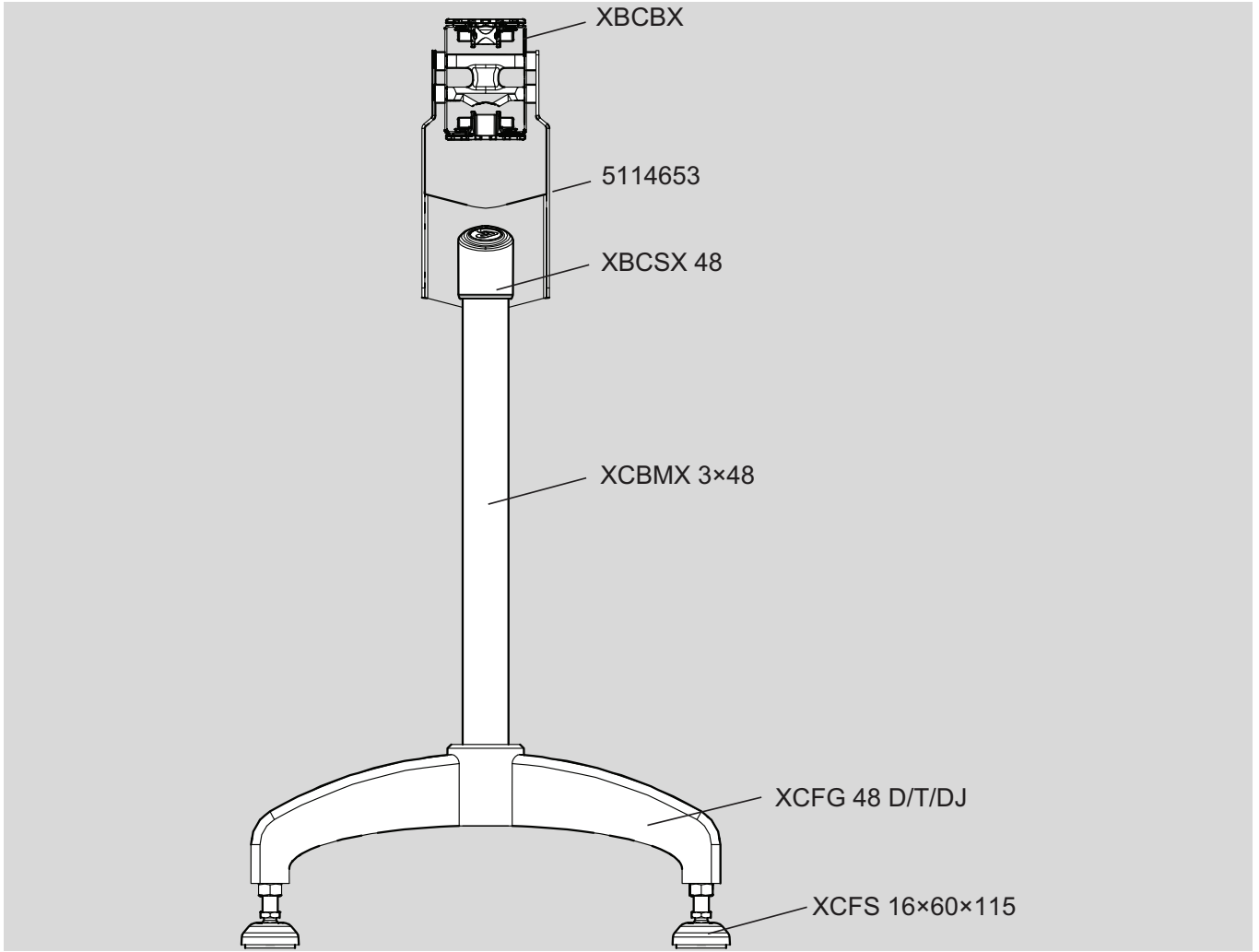
Including nut

Maximum vertical load 12000 N

XCFS 16x60x115

Example of support profiles

Example of support profile



Ordering information

Screws, nuts and brackets must be ordered separately for the following components:

- PO
- X70X
- X85X
- X180X
- X300X
- WL 222X
- WL 273X
- WL 374X
- WL 526X
- WL 678X
- CSX**
- GRX
- FSTX
- TR
- APX
- IDX

Example of support profiles

Designation	Attachment to	Mounting hardware required
Beam XBCBX	5114653	Fasteners are included
5114653	XBCSX 48	Fasteners are included
XBCSX 48	XCBMX 3x48	Fasteners are included
XCBMX 3x48	XCFG 48D/T/DJ	Fasteners are included
XCFG 48D/T/DJ	XCFS 16x60x115	Fasteners are included

Net height of foot h_1

Foot type	h_1 min - max mm
XCFG 48 D+XCFS 16x60x115	145 - 196
XCFG 48 DJ+XCFS 16x60x115	145 - 196
XCFG 48 T+XCFS 16x60x115	145 - 196

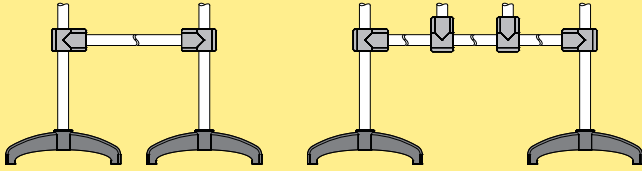
Height h_2

Beam	Bracket type	h_2 mm (TOC*)
85x113 mm	A+B	314
85x113 mm	A+C	263
85x113 mm	A+D	314
85x113 mm	A+E	314
*Top of a plain chain, 4 mm+ Slide rail 2,5 mm		

Ordering information

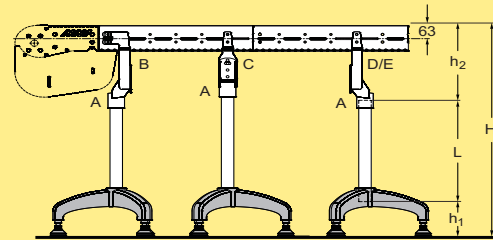
Profiles are available in standard lengths of 3 m or other lengths cut to order.

Example of support profile configuration



Support profile XCBMX Lx48, T-connector 5114962 and Polyamide feet

Support profile length



A	B	C	D	E
5114458	5114999	5115162	5114653	5115171
	5115001		5114654	
	5114998		5114655	

The beam length required to obtain a specific conveyor height H depends on the conveyor size, foot type and beam support bracket. See figure. In the following formula H represents the height from the floor to the top of a standard plain chain. Most support combinations permit height adjustment both at the foot and at the beam support bracket.

$$L = H - h_1 - h_2$$