



## Double drive unit – XW

### Contents

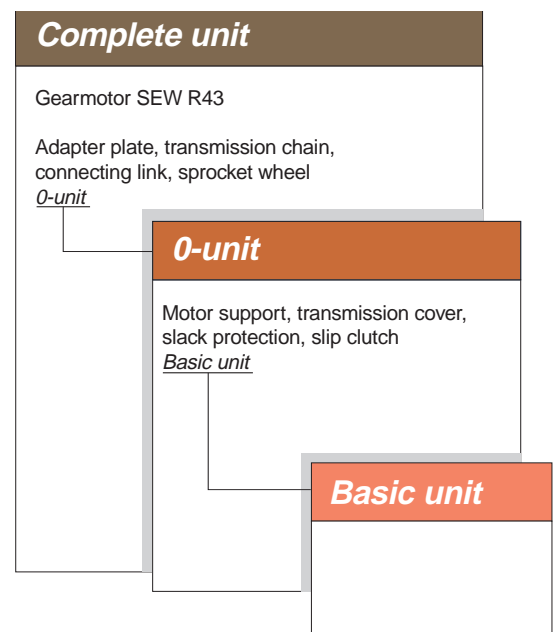
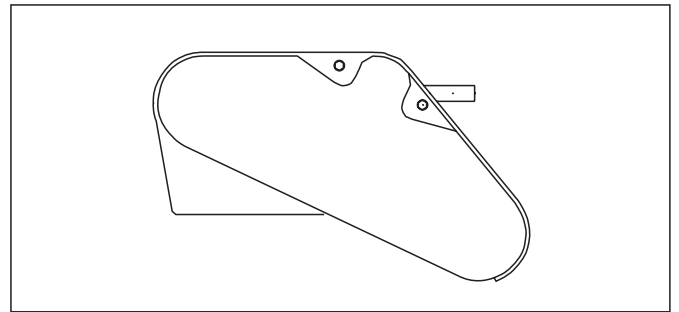
#### Double drive unit, type C

Complete unit – XWEB _ B600 LC/RC	2
0-unit – XWEB 0B600 LC/RC	3
Basic unit – XWEB 0B600 LCU/RCU	4
Basic module – XWEB _ B600 LC/RC	5

#### Double drive unit, type D

Complete unit – XWEB _ B600 LD/RD	6
0-unit – XWEB 0B600 LD/RD	7
Basic unit – XWEB 0B600 LDU/RDU	8
Basic module – XWEB _ B600 LD/RD	9

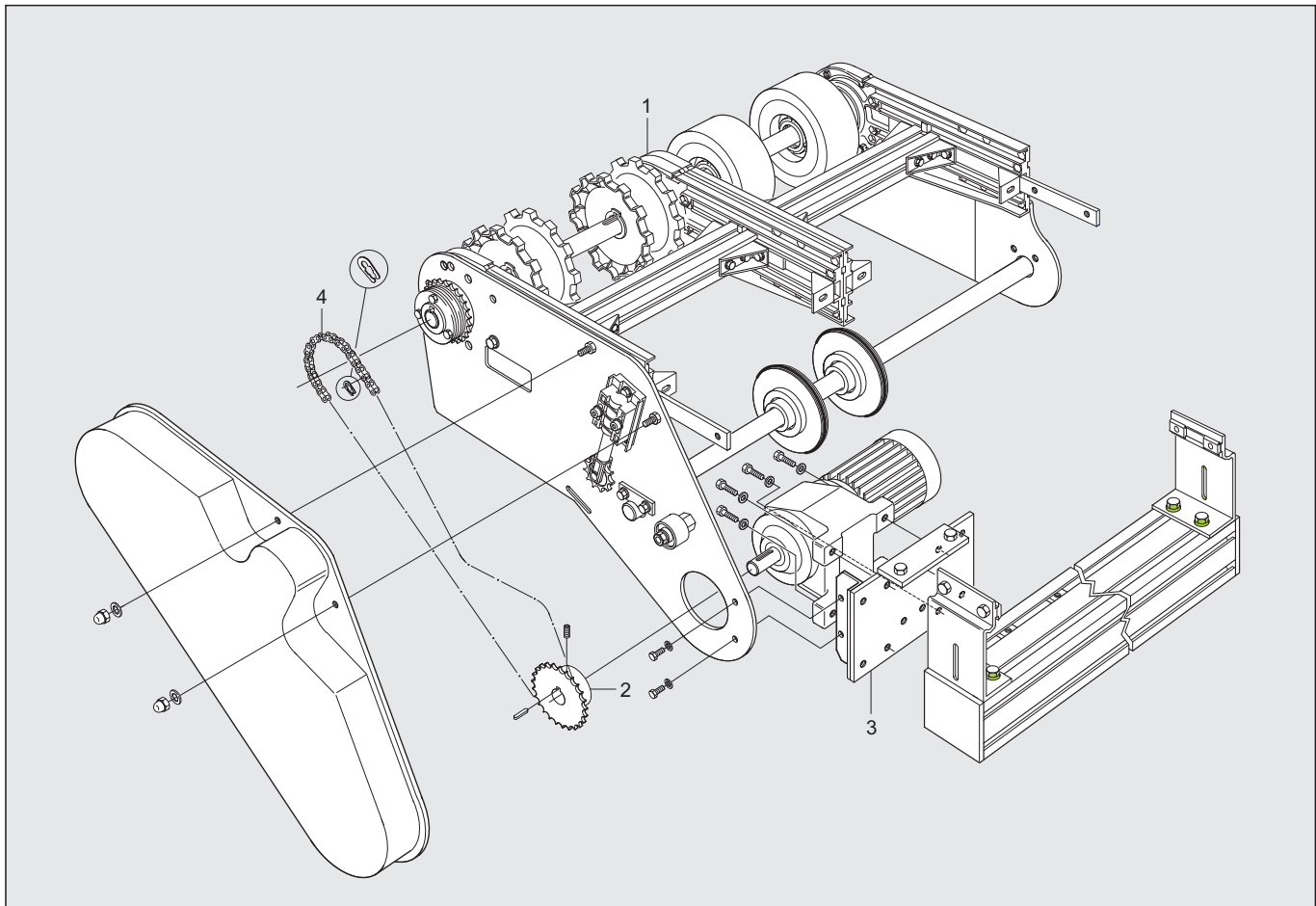
Revision list	10
---------------	----



# Double drive unit, type C

Complete unit – XWEB \_B600 LC/RC

For SEW R43 gearmotor



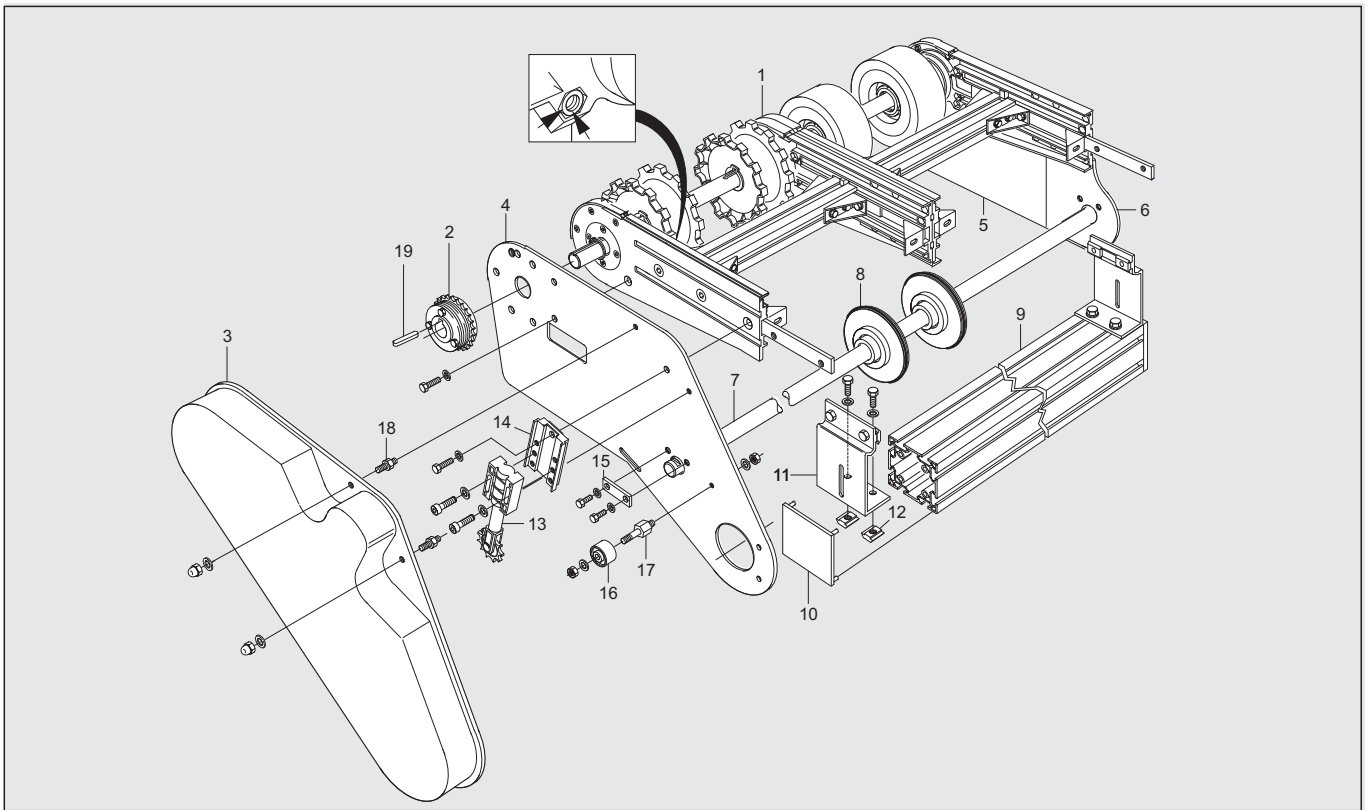
Item	Description	Part No	Qty	Comments
1	.....0-unit .....	XWEB 0 B600 LC.....	1	.....See next page for details.....
1	.....0-unit.....	XWEB 0 B600 RC.....	1	.....See next page for details.....
2	.....Sprocket wheel 1/2" including set screw.....	.....	1	.....See table below..... ☆
3	.....Adapter plate including bolts and washers .....	3920853.....	1	.....See SEW R43 gearmotor .....
4	.....Transmission chain 1/2" including connecting link.....	5111232.....	1	.....ISO/R 606-08B .....

☆ = recommended spare part

Sprocket wheel	Part No (SEW)
Z <sub>1</sub> =17	3921989
Z <sub>1</sub> =23	3921992
Z <sub>1</sub> =25	3921993

# Double drive unit, type C

## 0-unit – XWEB 0B600 LC/RC

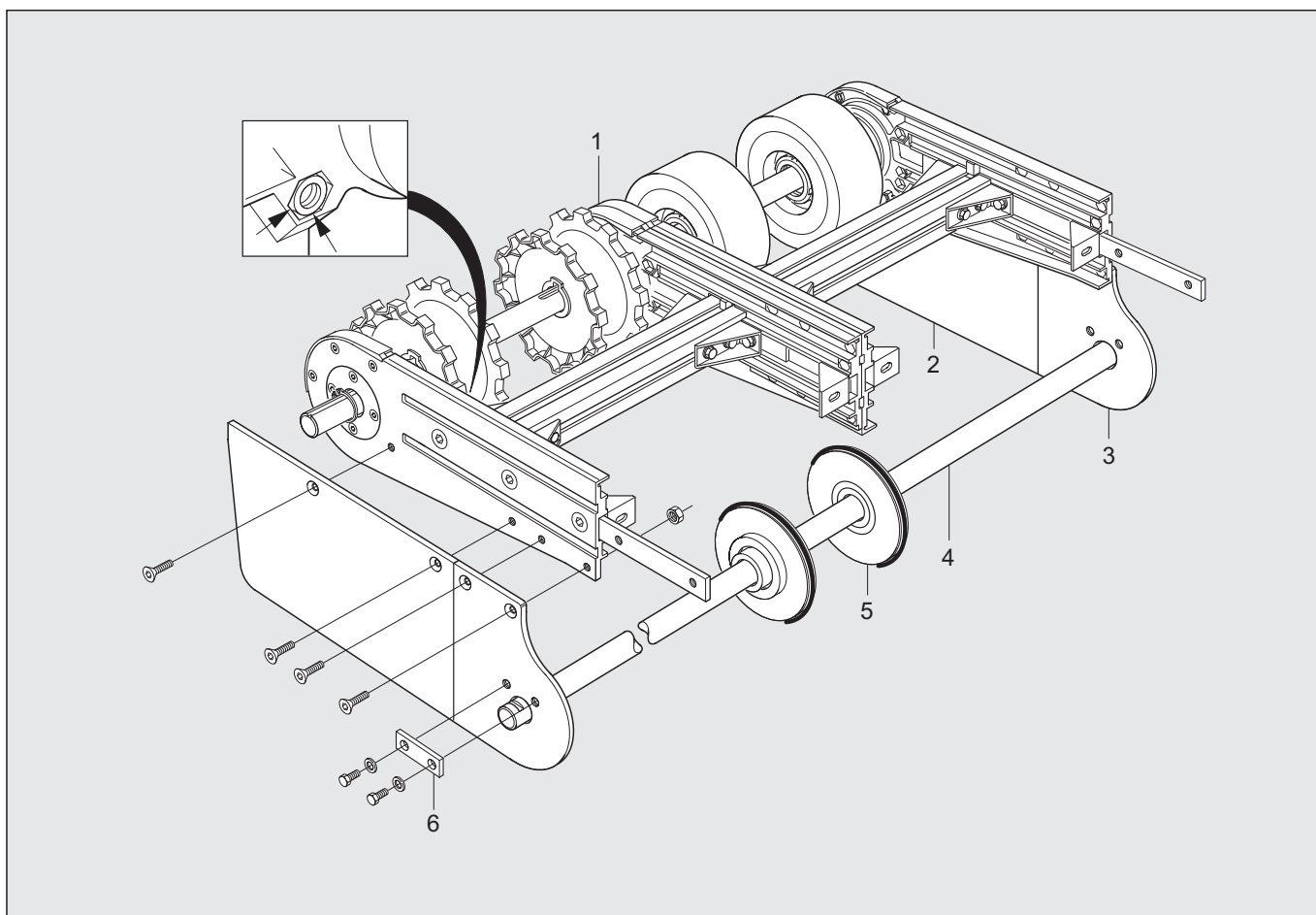


Item	Description	Part No	Qty	Comments
1	Basic unit (left-hand version)	XWEB 0B600 LCU	1	See next page for details
1	Basic unit (right-hand version)	XWEB 0B600 RCU	1	See next page for details
2	Slip clutch Ø25 mm	5053981	1	☆
3	Transmission cover	3905888	1	☆
4	Motor bracket	3905711	1	
5	Slack protection	3905884	1	
6	Wheel slack support	3905887	1	
7	Shaft	3920805	1	
8	Slack wheel	3905958	2	
9	Support beam	3921907	1	
10	End cap	XCBE 88	2	
11	Beam support bracket	XLCT 21×125	2	
12	Square nut	XCAN 8	8	
13	Tension pulley	3904541	1	
14	Distance plate	3904373	1	
15	Lock washer	3905877	1	
16	Wheel	XCAW 48	1	
17	Shaft	3905887	1	
18	Distance screw	3904855	2	
19	Wedge	8×7–40	1	ISO/R 773

☆ = recommended spare part

# Double drive unit, type C

## Basic unit – XWEB 0B600 LCU/RCU

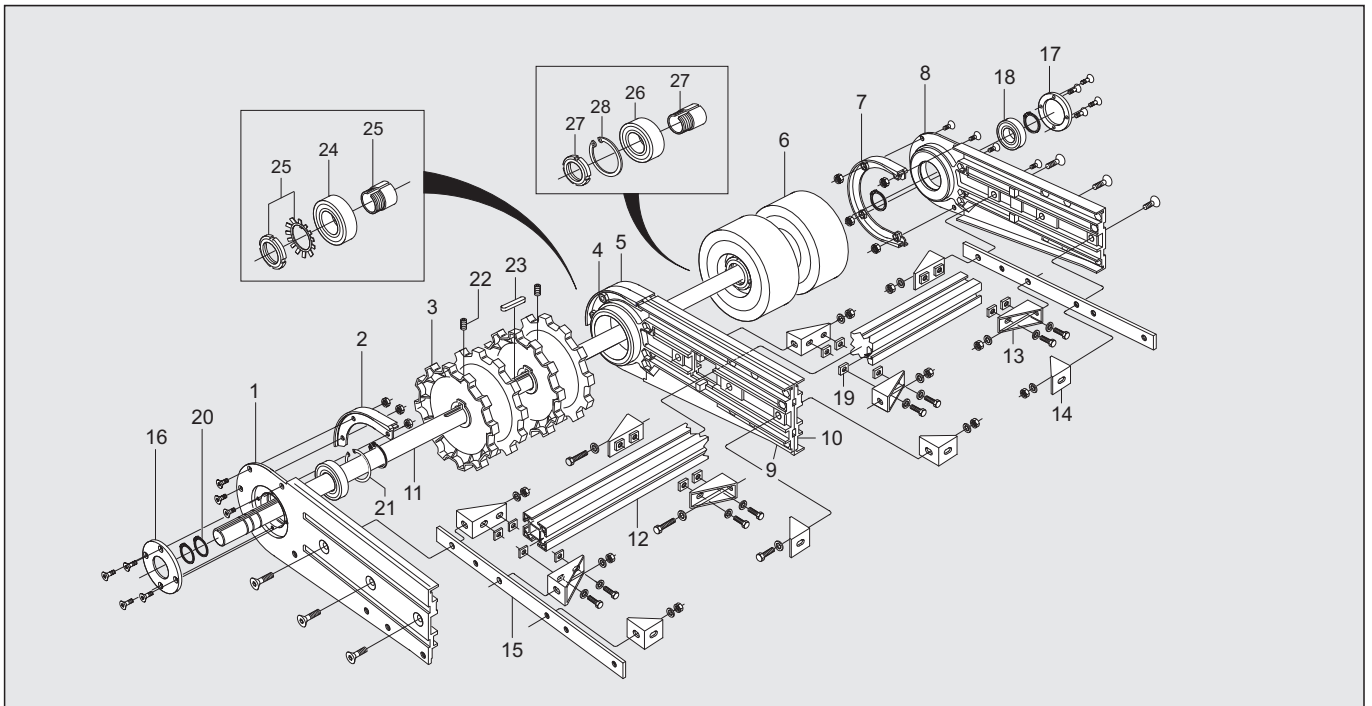


### Item Description

Item Description	Part No	Qty	Comments
1 .....Basic module (600 LC) .....	3905796.....	1 .....	See next page for details.....
.....Basic module (600 RC) .....	3905789.....	1 .....	See next page for details.....
2 .....Slack protection plate.....	3905884.....	2 .....	
3 .....Wheel slack support.....	3905877.....	2 .....	
4 .....Shaft.....	3920805.....	1 .....	
5 .....Slack wheel.....	3905958.....	2 .....	
6 .....Lock washer.....	3905877.....	1 .....	

# Double drive unit, type C

## Basic module – XWEB \_B600 LC/RC



XWEB B600 LC: Drawing No. 3925796, XWEB B600 RC: Drawing No. 3925789

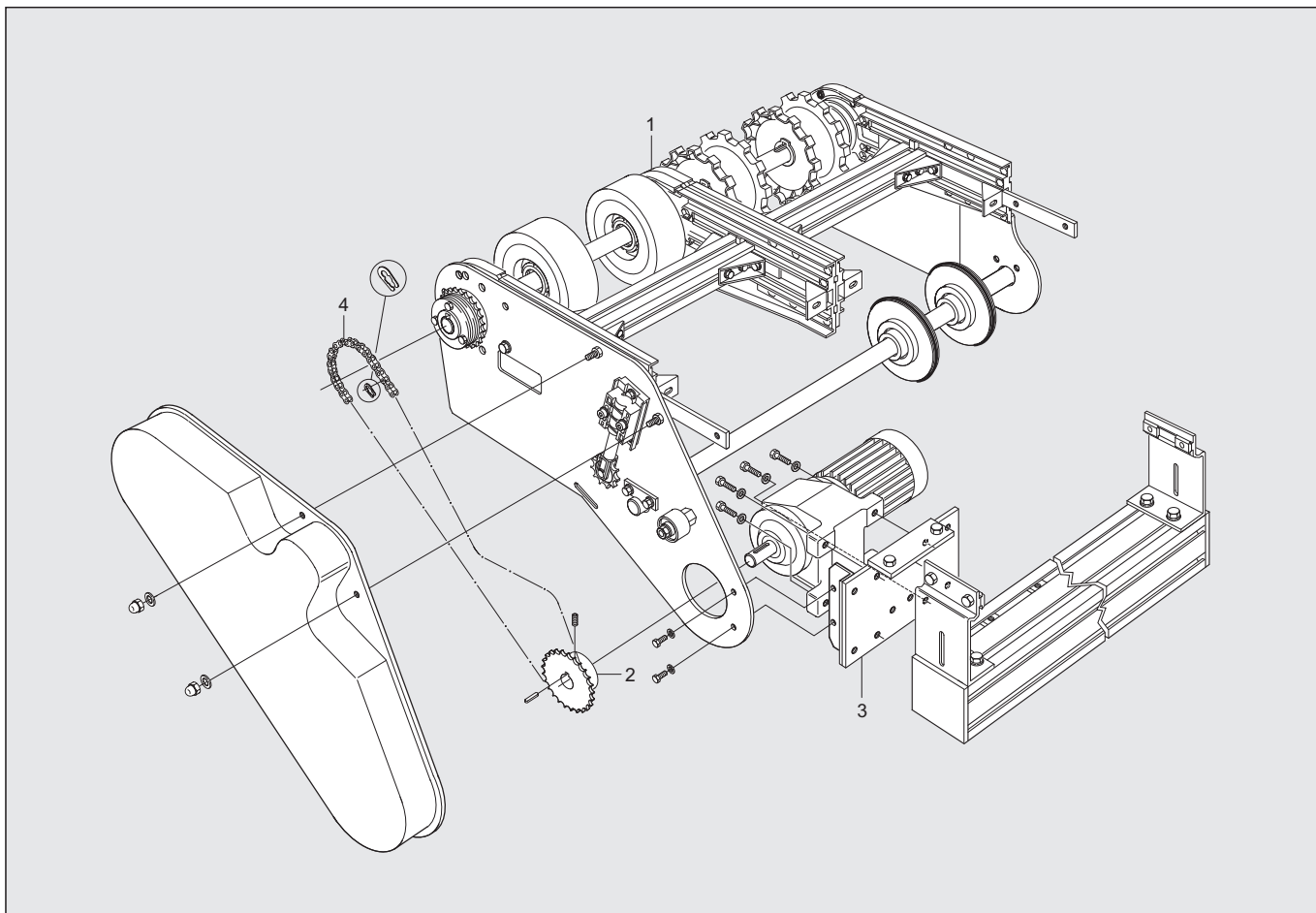
Item	Description	Part No	Qty	Comments
1	Side plate L	3905719	1	
2	Steering guide L	3905707	1	☆
3	Sprocket wheel	3905400	8	☆
4	Guide drive unit	3905706	1	☆
5	Guide idler unit	3905705	1	☆
6	Wheel	3925377	2	Ø130 mm
7	Guide idler unit	3905704	1	☆
8	Side plate L	3905716	1	
9	Intermediate side plate	3905891	1	
10	Intermediate side plate	3905890	1	
11	Shaft 25×657	3925793	1	
12	Beam	3925790	2	
13	Angle bracket	3905478	8	
14	Angle bracket	XLFA 44 B	4	
15	Connecting strip	3925380	2	
16	Cover	3904772	1	
17	Cover	3904671	1	
18	Bearing	2205 E 2RS2/C3	2	
19	Square nut	XLAQ 8	16	
20	Retaining ring	SgA 25	5	
21	Retaining ring	SgH 52	1	
22	Set screw	SK6SS M6×8	2	
23	Wedge	8×7–40	2	ISO/R 773
24	Bearing	2206 EK/2RS1/C3	1	
25	Clamping sleeve	H 306	1	
26	Bearing	6206 2RS1/K	2	
27	Clamping sleeve	H 206	2	
28	Retaining ring	SgH 62	2	

☆ = recommended spare part

# Double drive unit, type D

Complete unit – XWEB \_B600 LD/RD

For SEW R43 gearmotor



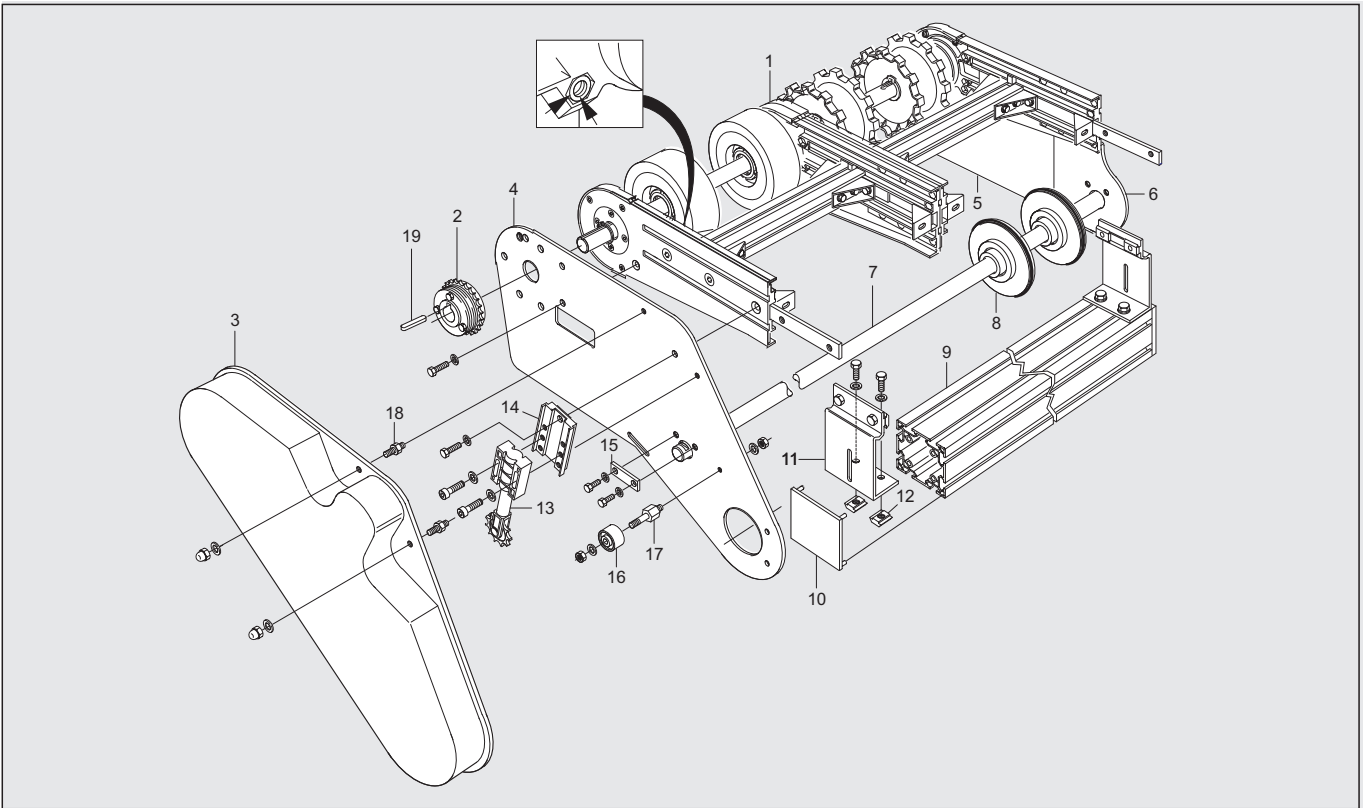
Item	Description	Part No	Qty	Comments
1	.....0-unit .....	XWEB 0B600 LD.....	1	.....See next page for details.....
1	.....0-unit.....	XWEB 0B600 RD.....	1	.....See next page for details.....
2	.....Sprocket wheel 1/2" including set screw.....	.....	1	.....See table below.....☆
3	.....Adapter plate including bolts and washers .....	3920853.....	1	.....See SEW R43 gearmotor .....
4	.....Transmission chain 1/2" including connecting link.....	5111232.....	1	.....ISO/R 606-08B .....

☆ = recommended spare part

Sprocket wheel	Part No (SEW)
Z <sub>1</sub> =17	3921989
Z <sub>1</sub> =23	3921992
Z <sub>1</sub> =25	3921993

# Double drive unit, type D

## 0-unit – XWEB 0B600 LD/RD



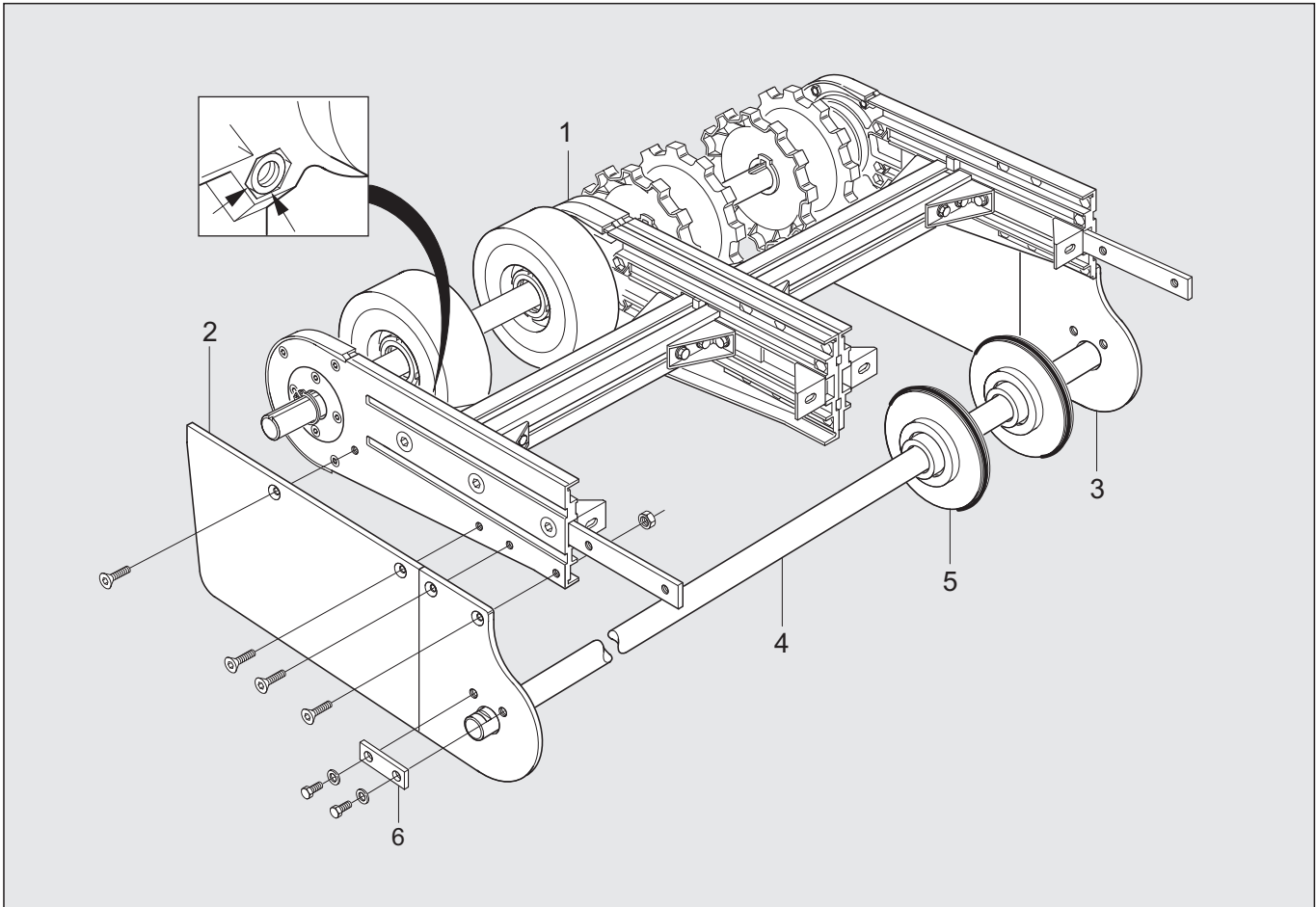
Item	Description	Part No	Qty	Comments
1	Basic unit (left-hand version)	XWEB 0B600 LDU	1	See next page for details
1	Basic unit (right-hand version)	XWEB 0B600 RDU	1	See next page for details
2	Slip clutch Ø25 mm	5053981	1	☆
3	Transmission cover	3905888	1	☆
4	Motor bracket	3905711	1	
5	Slack protection	3905884	1	
6	Wheel slack support	3905887	1	
7	Shaft	3920805	1	
8	Slack wheel	3905958	2	
9	Support beam	3921907	1	
10	End cap	XCBE 88	2	
11	Beam support bracket	XLCT 21x125	2	
12	Square nut	XCAN 8	8	
13	Tension pulley	3904541	1	
14	Distance plate	3904373	1	
15	Lock washer	3905877	1	
16	Wheel	XCAW 48	1	
17	Shaft	3905887	1	
18	Distance screw	3904855	2	
19	Wedge	8x7-40	1	ISO/R 773

☆ = recommended spare part



# Double drive unit, type D

## Basic unit – XWEB 0B600 LDU/RDU

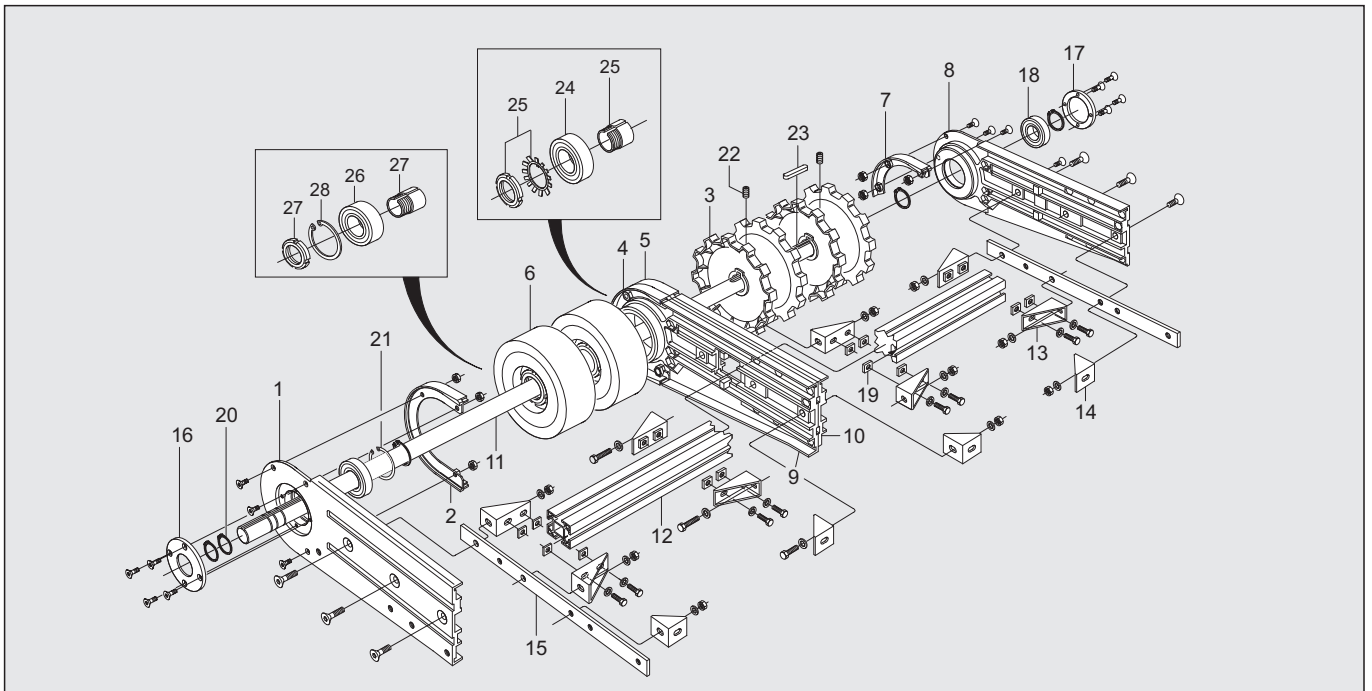


Item	Description	Part No	Qty	Comments
1	Basic module (600 LD)	3905795	1	See next page for details
	Basic module (600 RD)	3905794	1	See next page for details
2	Slack protection plate	3905884	2	
3	Wheel slack support	3905877	2	
4	Slack wheel	3905958	2	
5	Shaft	3920805	1	
6	Lock washer	3905877	1	



# Double drive unit, type D

## Basic module – XWEB \_B600 LD/RD



XWEB B600 LD: Drawing No. 3925795, XWEB B600 RD: Drawing No. 3925794

Item	Description	Part No	Qty	Comments
1	Side plate L	3905717	1	
2	Steering guideL	3905705	1	☆
3	Sprocket wheel	3905400	8	☆
4	Guide drive unit	3905704	1	☆
5	Guide idler unit	3905707	1	☆
6	Wheel	3925377	2	Ø130 mm
7	Guide idler unit	3905706	1	☆
8	Side plate L	3905718	1	
9	Intermediate side plate	3921251	1	
10	Intermediate side plate	3921252	1	
11	Shaft 25×657	3925793	1	
12	Beam	3925790	2	
13	Angle bracket	3905478	8	
14	Angle bracket	XLFA 44 B	4	
15	Connecting strip	3925380	2	
16	Cover	3904772	1	
17	Cover	3904671	1	
18	Bearing	2205 E 2RS2/C3	2	
19	Square nut	XLAQ 8	16	
20	Retaining ring	SgA 25	5	
21	Retaining ring	SgH 52	1	
22	Set screw	SK6SS M6×8	2	
23	Wedge	8×7–40	2	ISO/R 773
24	Bearing	2206 EK/2RS1/C3	1	
25	Clamping sleeve	H 306	1	
26	Bearing	6206 2RS1/K	2	
27	Clamping sleeve	H 206	2	
28	Retaining ring	SgH 62	2	

☆ = recommended spare part

