

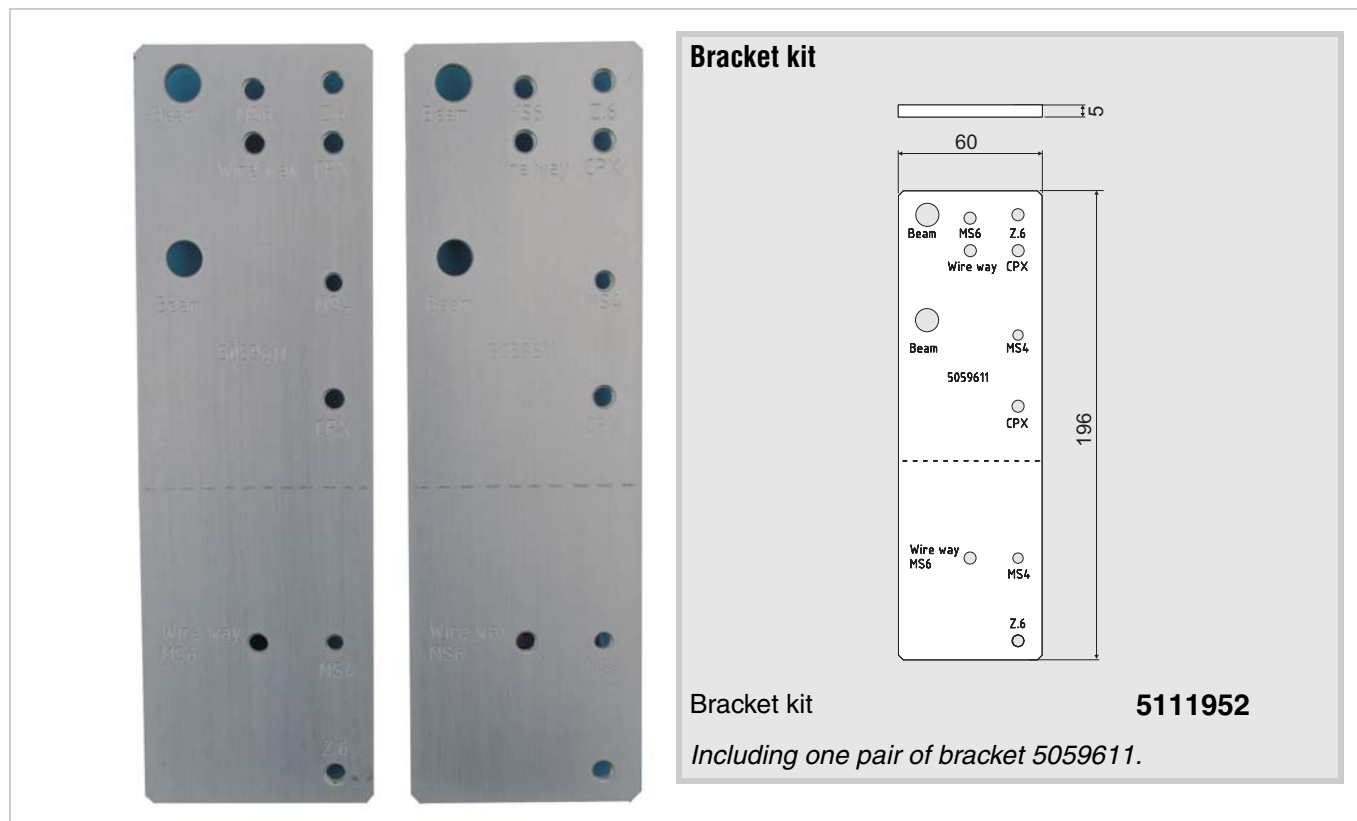
Bracket kit



Technical bulletin from FlexLink

5419EN-1

New bracket kit



For fieldbus interfaces and air preparation units

A new type of aluminium bracket is designed to be used for mounting fieldbus interfaces and air preparation units to FlexLink beams and basket tray wire ways.

All holes are marked with the object type the hole is dedicated for.

There is also one indicated "Cut here" – line, in order to give guidance for cutting when the lower part of the bracket not will be used.

Hole types

- FlexLink beam, Ø9 mm
- Basket tray wire way, M6
- Motor fieldbus interface Z.6, M6
- Pneumatic fieldbus interface Festo CPX, M6
- Air supply unit Festo MS4, M5
- Air supply unit Festo MS6, M6

For examples of application areas see next page.

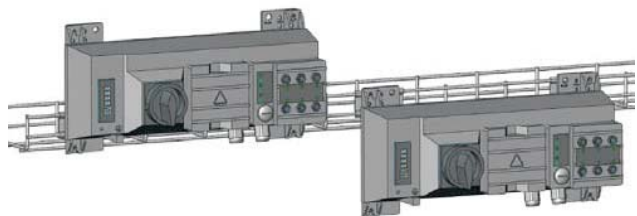
Ordering information

For more information please contact your local FlexLink office.

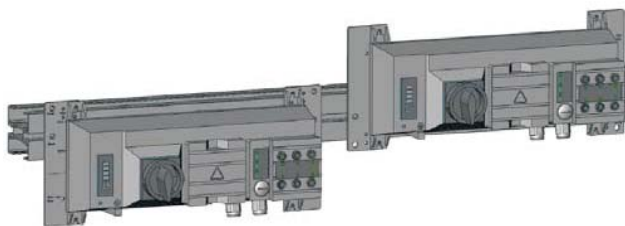
FlexLink on the internet; <http://www.flexlink.com>

Applications

Motor fieldbus interface of item type SEW Z.6:



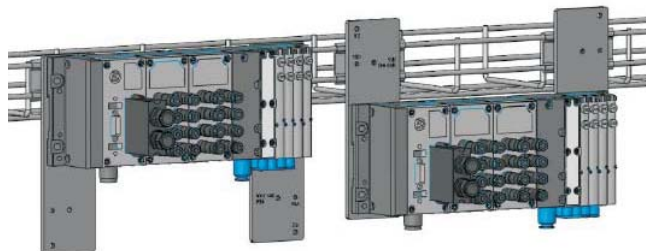
Mounted on basket tray wire way



Mounted on FlexLink beam or cable duct

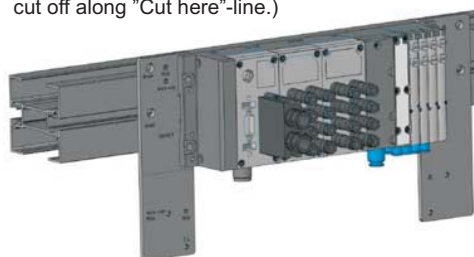
Pneumatic fieldbus interface of item type Festo CPX:

(Note: No brackets in pictures are cut off along "Cut here"-line.)



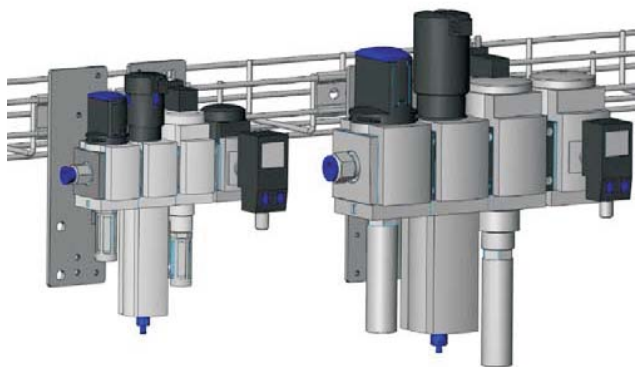
Mounted on basket tray wire way

(Note: No brackets in pictures are cut off along "Cut here"-line.)

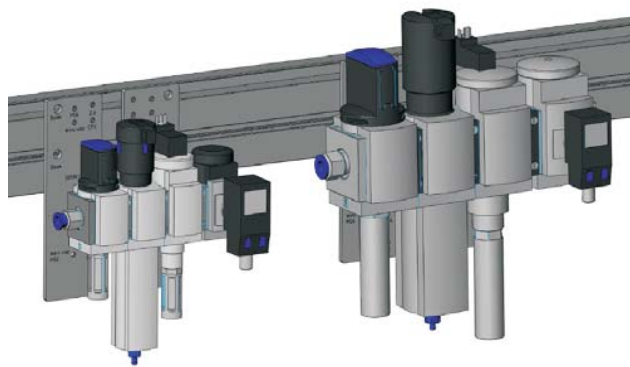


Mounted on FlexLink beam or cable duct

Air supply unit of item types Festo MS4 and Festo MS6:



Mounted on basket tray wire way



Mounted on FlexLink beam or cable duct