

Spare parts End drive unit, direct centre drive- XT

Technical information from FlexLink

XT003-E7

End drive unit, direct centre drive- XT

Contents

End drive unit, direct centre drive

Complete unit – XTEB_MNPB-*2

0-unit – XTEB 0 MNPD-*3

Basic unit.....4

End drive unit, direct centre drive, heavy-duty version

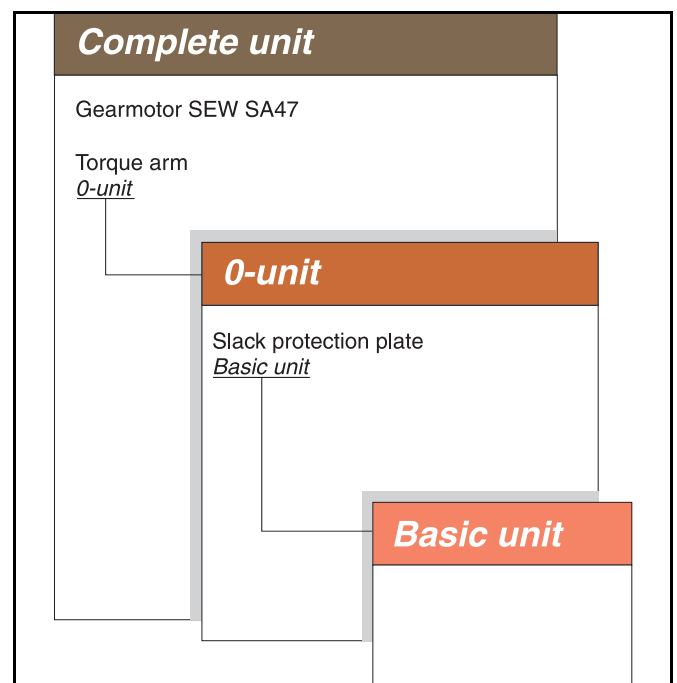
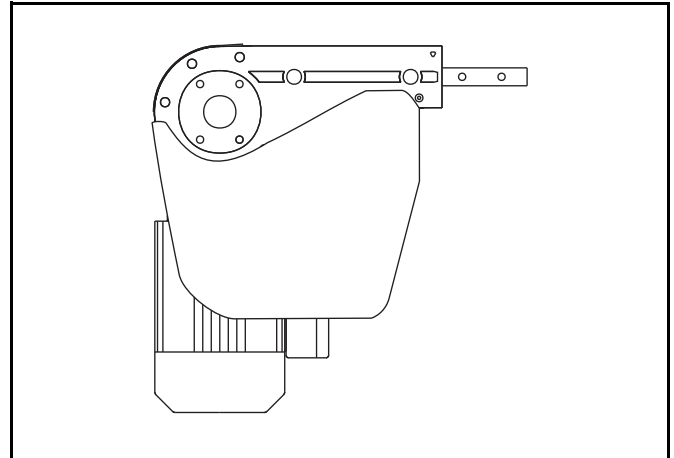
Complete unit – XTEB_HNMNPD-*5

0-unit – XTEB 0 HMNPD-*6

Basic unit.....7

Revision list

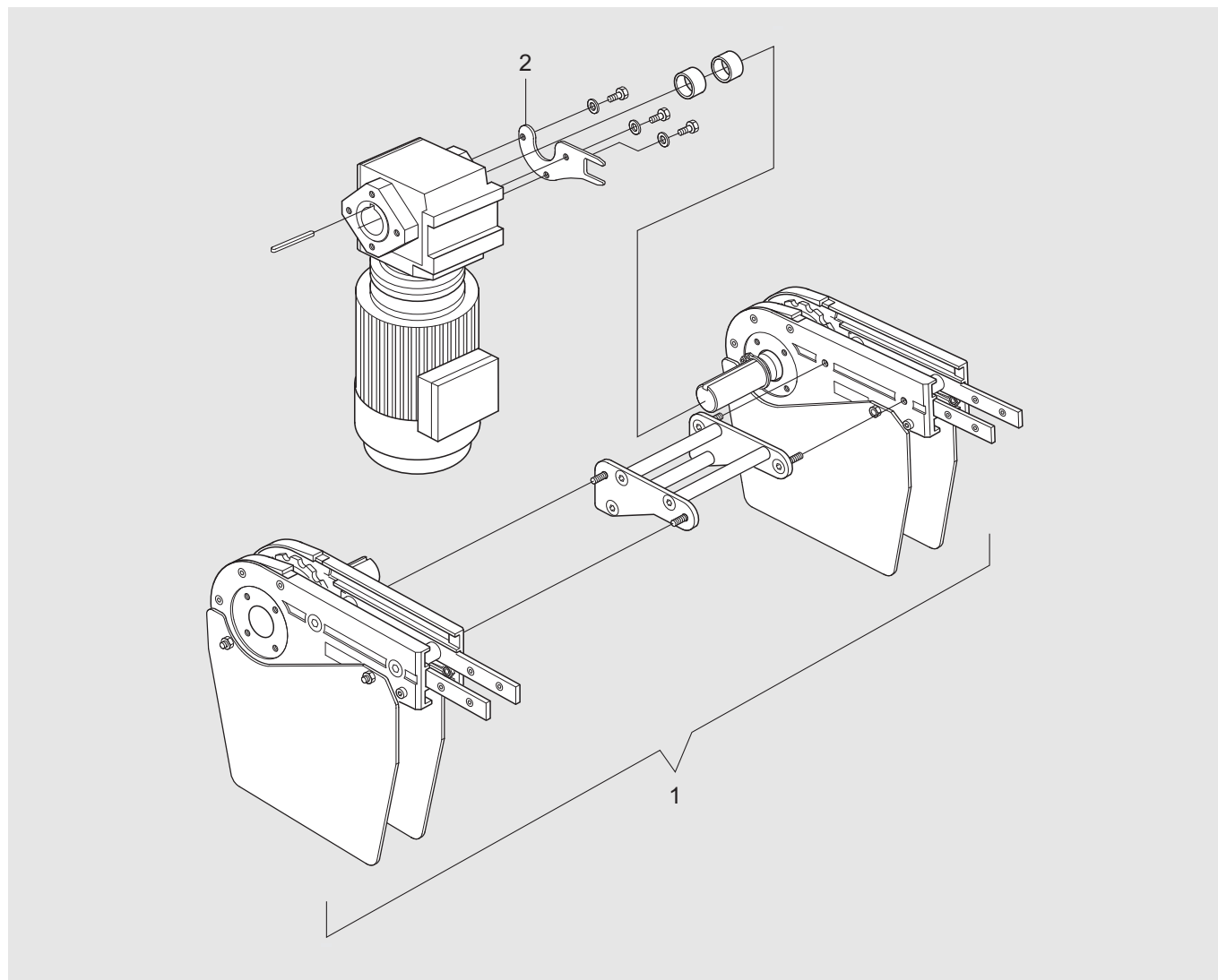
Document designation	Date	Type of revision	Entered by
XT003-E1	99-09-02	New version	TietoEnator
XT003-E2	08-11-04	Spare part kits added	JE
XT003-E3	09-03-14		JE
XT003-E4	10-08-20	Added new column	CB
XT003-E5	13-11-15		JE
XT003-E6	21-03-20	Updates	TG
XT003-E7	23-01-30	p.4) added shaft 370, 450 & 610	TG



End drive unit, direct centre drive

Complete unit – XTEB _MNPB-*

For SEW SA47 gearmotor

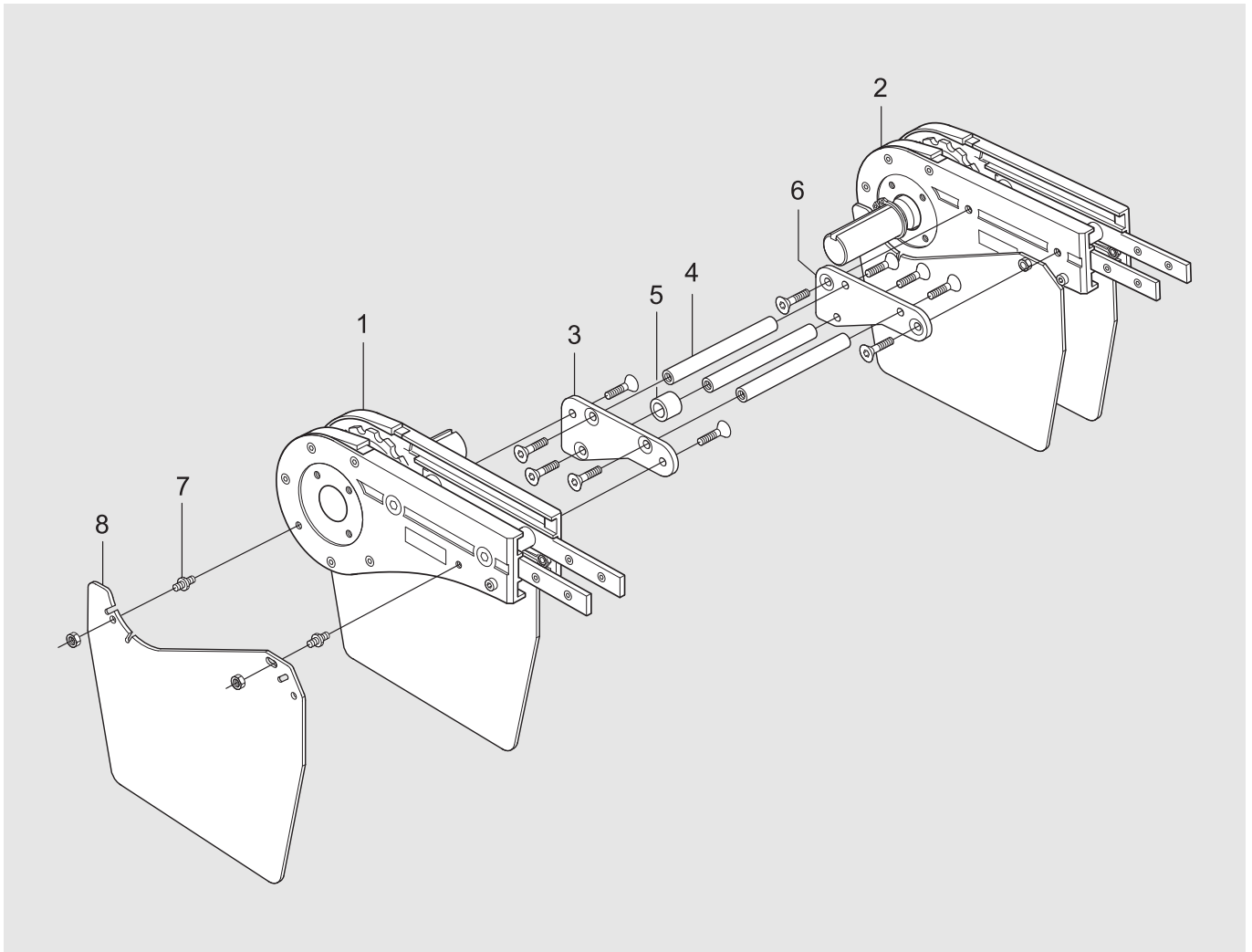


Item	Description	Part No	Qty	Comments	Recommended Spare parts
1	0-unit	XTEB 0 MNPD-	1	See next page for details	
	0-unit	XTEB 0 MNPD 210	1	See next page for details	
	0-unit	XTEB 0 MNPD 290	1	See next page for details	
	0-unit	XTEB 0 MNPD 370	1	See next page for details	
2	Torque arm kit	5050380	1		X

*The dash (-) indicates c/c distance.

End drive unit, direct centre drive

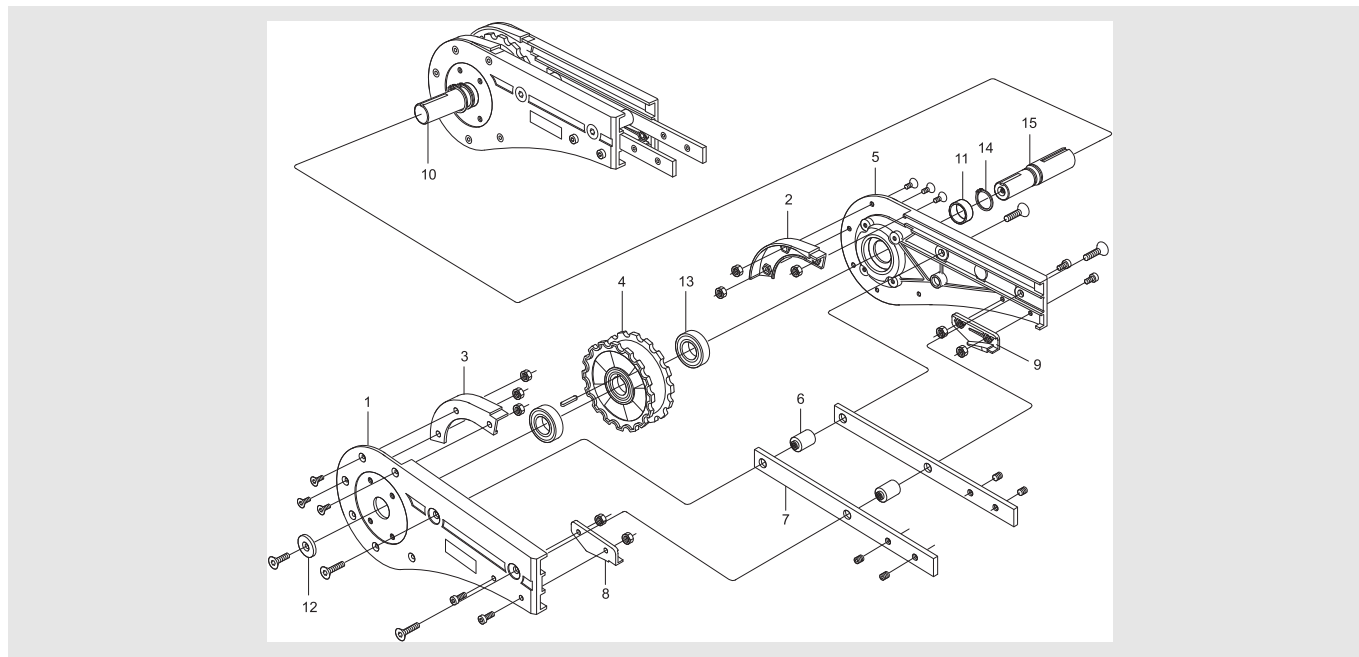
0-unit – XTEB 0 MNPD-*



Item	Description	Part No	Qty	Comments	Recommended Spare parts
1	Basic unit	5050188	1	See next page for details	
2	Basic unit, custom c/c	5050603	1	See next page for details	
	Basic unit, 210	5050182	1	See next page for details	
	Basic unit, 290	5050348	1	See next page for details	
	Basic unit, 370	5050349	1	See next page for details	
3	Mounting plate	5050169	1		
4	Shaft	5050171	3		
5	Torque absorber	5050494	1		
6	Mounting plate	5050174	1		
7*	Distance screw	(3925718)	4	See kit below	
8*	Slack protection plate	(3925673)	4	See kit below	
*) 7	Distance screw kit	5111598	1	Kit contains 10 pcs	
*) 8	Slack protection kit	5111581	2	Kit contains 2 pcs	

End drive unit, direct centre drive

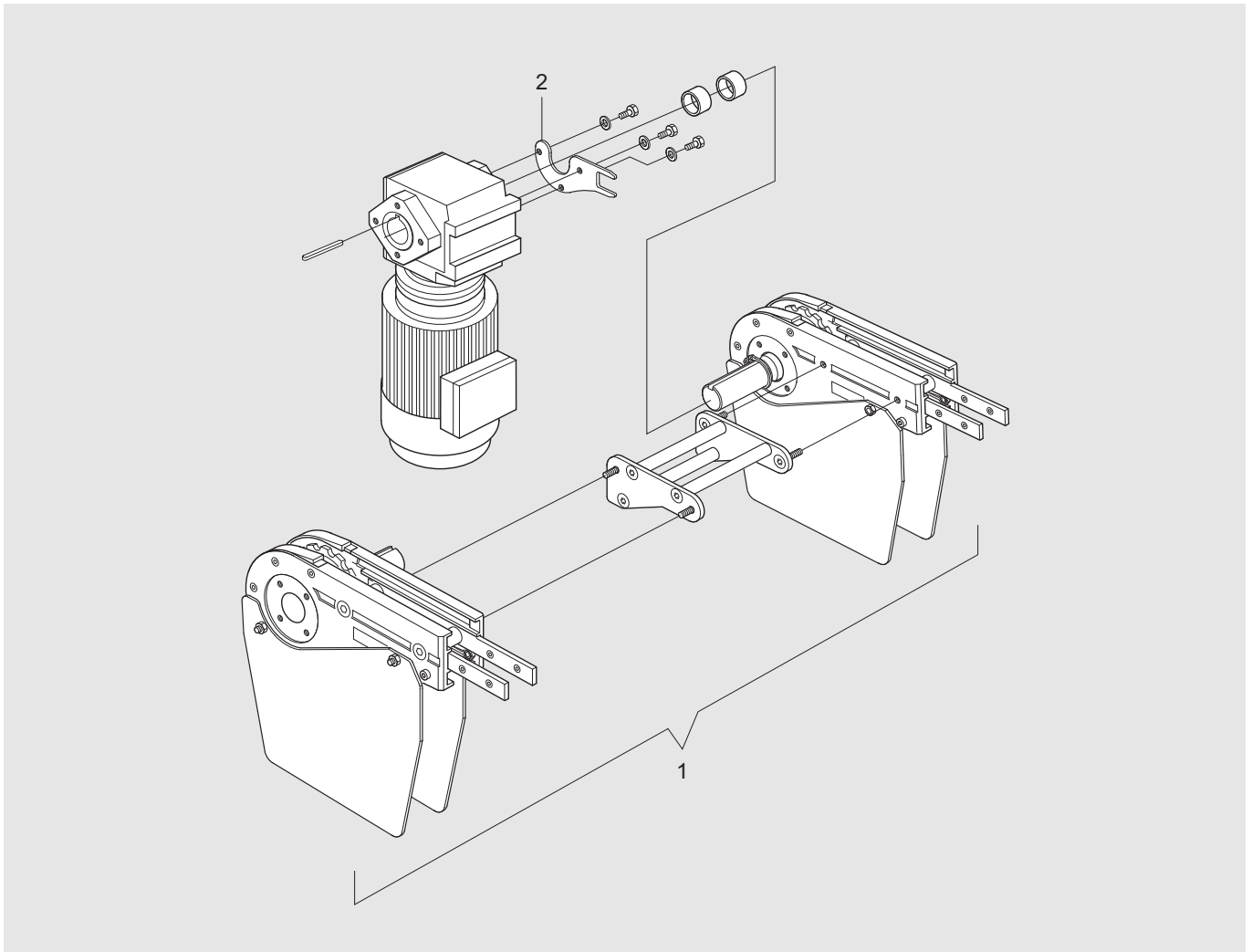
Basic unit – 5050188, 5050603 (CC), 5122741 (210), 5050348 (290), 5050349 (370), 5120384 (450), 5120385 (610)



Item	Description	Part No	Qty	Comments	Recommended Spare parts
1	Side plate L	5050056	2		
2*	Guide R	(5045719)	1	See kit below	
3*	Guide L	(5045720)	1	See kit below	
4*	Drive wheel	(5050159)	2	See kit below	
5	Side plate R	5050054	2		
6	Spacer	5044883	6		
7	Connecting strip	5044891	4		
8*	Guide L	(5047731)	1	See kit below	
9*	Guide R	(5047730)	1	See kit below	
10	Shaft, custom c/c	5122440	1		
	Shaft, 210	5050332	1		
	Shaft, 290	5050331	1		
	Shaft, 370	5128944	1		
	Shaft, 450	5120188	1		
	Shaft,610	5120189	1		
11*	Spacer	(5045520)	2	See kit below	
12*	Washer	(5045523)	2	See kit below	
13*	Bearing	(60052RS1/C3)	4	See kit below	
14*	Retaining ring	DIN 471	2	25 st, See kit below	
15	Drive shaft	5050332	1		
*) 2+3+8+9	Guide kit	5053325	1	2*LH+RH	X
*) 4	Wheel	5111659	2		X
*) 4+11+12+13+14	Wheel kit	5111660	1		X

End drive unit, direct centre drive, heavy-duty version

Complete unit – XTEB_HMNPD-*

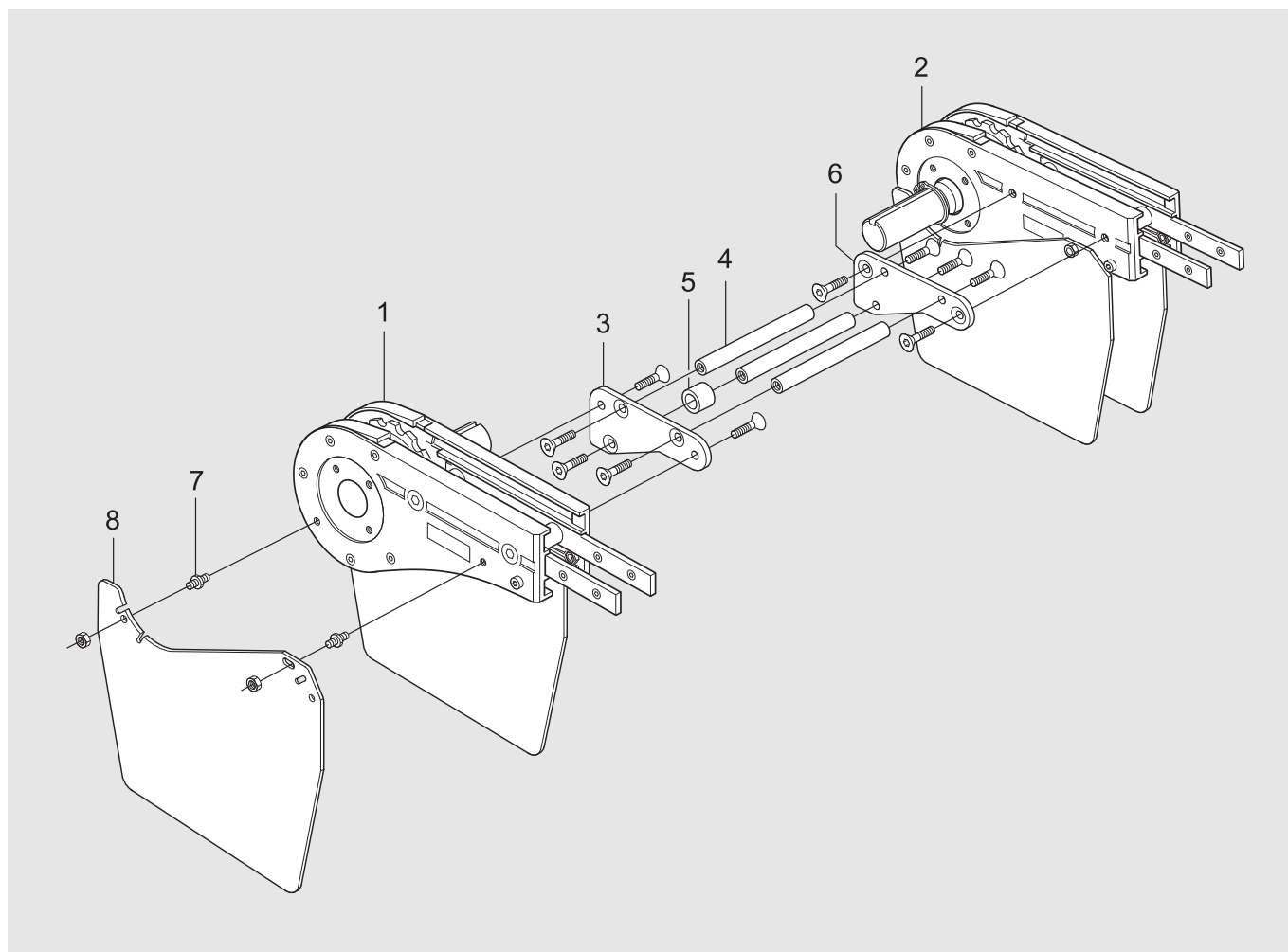


Item	Description	Part No	Qty	Comments	Recommended Spare parts
1	0-unit	XTEB 0 HMNPD-	1	See next page for details	
	0-unit	XTEB 0 HMNPD 210	1	See next page for details	
	0-unit	XTEB 0 HMNPD 290	1	See next page for details	
	0-unit	XTEB 0 HMNPD 370	1	See next page for details	
2	Torque arm kit	5050459	1		X

* The dash (-) indicates c/c distance.

End drive unit, direct centre drive, heavy-duty version

0-unit – XTEB 0 HMNPD-*

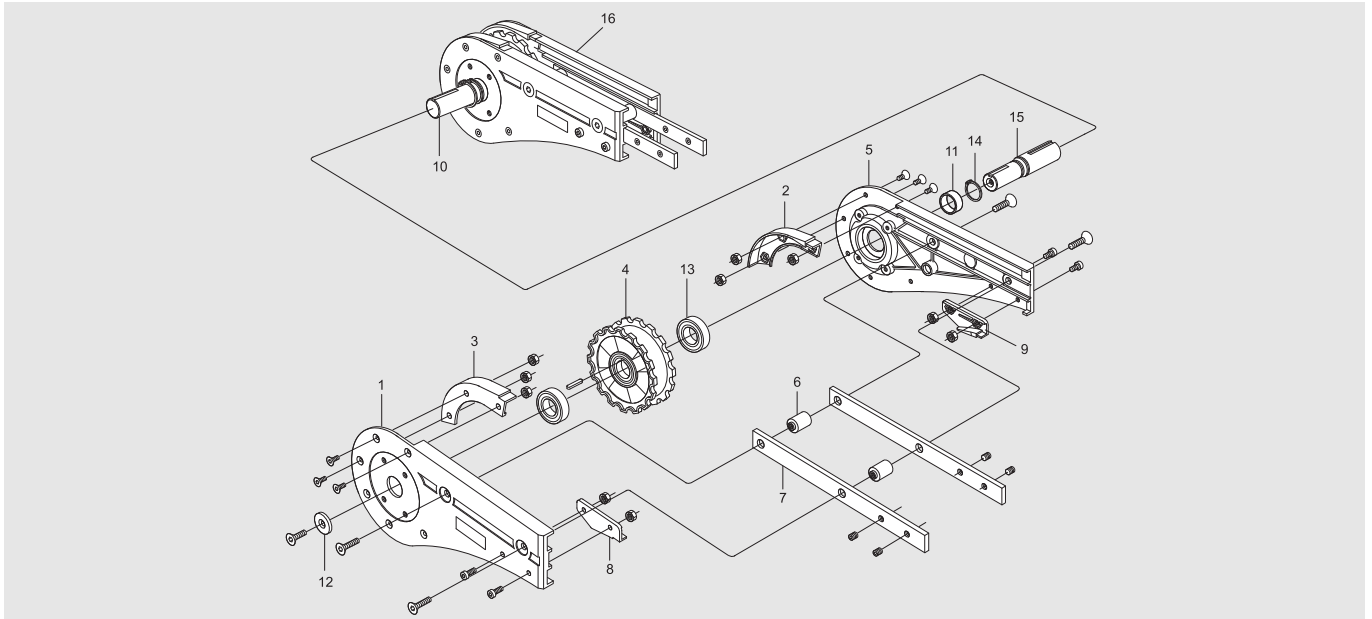


Item	Description	Part No	Qty	Comments	Recommended Spare parts
1	Basic unit	5050249	1	See next page for details	
2	Basic unit	5050620	1	See next page for details	
	Basic unit, 210	5050250	1	See next page for details	
	Basic unit, 290	5050416	1	See next page for details	
	Basic unit, 370	5050417	1	See next page for details	
3	Mounting plate	5050169	1		
4	Shaft	5050171	3		
5	Torque absorber	5050494	1		
6	Mounting plate	5050174	1		
7*	Distance screw	(3925718)	4	See kit below	
8*	Slack protection plate	(3925673)	4	See kit below	
*) 7	Distance screw kit	5111598	1	Kit contains 10 pcs	
*) 8	Slack protection kit	5111581	2	Kit contains 2 pcs	

* The dash (-) indicates c/c distance.

End drive unit, direct centre drive, heavy-duty version

Basic unit – 5050249, 5050620, 5050250 (210), 5050416 (290), 5050417 (370)



Item	Description	Part No	Qty	Comments	Recommended Spare parts
1	Side plate L	5050056	2		
2*	Guide R	(5045719)	1	See kit below	
3*	Guide L	(5045720)	1	See kit below	
4*	Drive wheel	(5050159)	2	See kit below	
5	Side plate R	5050054	2		
6	Spacer	5044883	6		
7	Connecting strip	5044891	4		
8*	Guide L	(5047731)	1	See kit below	
9*	Guide R	(5047730)	1	See kit below	
10	Shaft	5050619	1	Included in item 16	
	Shaft, 210	5050254	1	Included in item 16	
	Shaft, 290	5050408	1	Included in item 16	
	Shaft, 370	5050410	1	Included in item 16	
11*	Spacer	(5045520)	1	See kit below	
12*	Washer	(5045523)	2	See kit below	
13*	Bearing	(6005 2RS1/C3)	2	See kit below	
14*	Retaining ring	DIN 471	1	25 st, See kit below	
15	Drive shaft	5050254	1		
16	Retaining ring	DIN 471	1	30 st, See kit below	
17	Basic unit	5050620	1		
	Basic unit, 210	5050250	1		
	Basic unit, 290	5050416	1		
	Basic unit, 370	5050417	1		
*) 2+3+8+9	Guide kit	5053325	1	2*LH+RH	X
*) 4	Wheel	5111659	2		X
*) 4+11+12+13+14	Wheel kit	5111660	1		X

