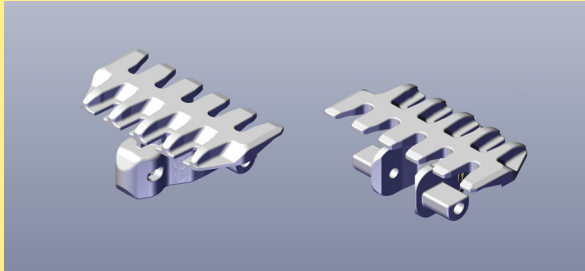
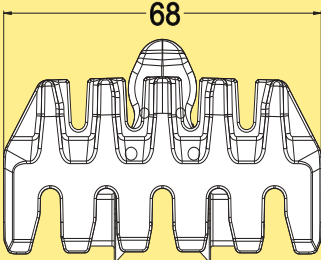
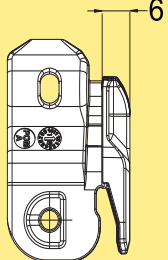


Conveyor system X70X - links and chains

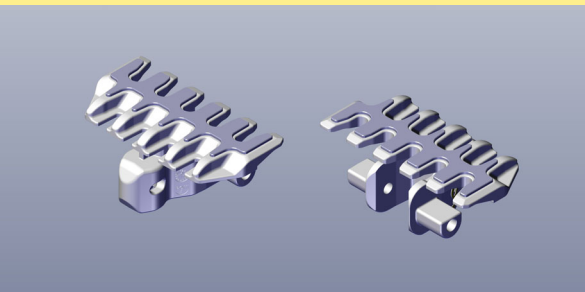
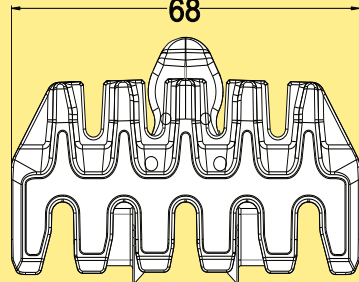
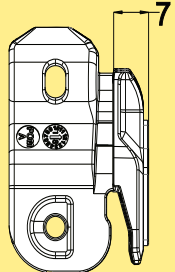
Each link kit contains 10 links, 10 plastic pivots, and 10 stainless steel pins, unless otherwise specified.

Material abbreviations: See page III.

Plain chain

						
Chain	Link(s)	Link kit(s)	Dimensions	Link weight	Material, link	Material, pivot
XLTPX 5A70 K	FLX1002293	FLX1001236			POM A	See page III

Flat top friction chain

						
Friction insert is polyether-polyamide. Slope <math><30^\circ</math>. Light goods: blister packs, small boxes, etc.						
Chain	Link(s)	Link kit(s)	Dimensions	Link weight	Material, link	Material, pivot
XLTPX 5A70 KF	FLX1000902	FLX1001237			POM A	See page III

