

# Controls

## Contents

FlexLink Device Platform Components .....507  
 FlexLink Device Platform Accessories .....511

Communication interfaces for drive units.....512



## FlexLink Device Platform Components

The FlexLink Device Platform (FDP):

- is multipurpose,
- has a wide range of communication possibilities,
- can standardize interfaces,
- is a proven, easy-to-use enabler for modularity and connectivity as well as
- an enhanced mechatronics offer to the whole FlexLink portfolio.

The FlexLink Device Platform (FDP) includes such groups of components:

**SCDCs** - field logic controllers with Embedded Software to support the Distributed Controls concept.

**SCMDs** - integrated motors (e.g.: Hypergear Wormgear Motor, and Hyperdrive Stepper Motor) to standardized controls layer and due to that supports a wide range of mechatronic functions.

**SCPDs** - power distribution devices to provide power supply to the FDP components.

P0  
 CC  
 X45  
 XS  
 X65  
 X65P  
 X85  
 X85P  
 XH  
 XK  
 XKP  
 X180  
 X300  
 GR  
 CS  
 XT  
 HU  
 WL  
 WK  
 XC  
 XF  
 XD  
 ELV  
 SC  
 FST  
 TR  
 APX  
 IDX

# SCDC

The SCDC is a configurable and robust field logic controller design for decentralized applications. It is available in two hardware versions: CANopen or RS485. The SCDC is delivered with Embedded Software and can be used in various applications. FlexLink is using SCDC for:

- FlexLink generic firmware applications where the SCDC device mirrors and translates PLC controls to the field equipment (e.g., sensors, CAN drives, and many more), and brings a standard interface for PLC controls as well as the standard interface for Digital Services (through MQTT). This approach is used in the conveyor systems provided by FlexLink.
- Dedicated platform-specific implementations where SCDC is used to fulfil required algorithms to control FlexLink standard products.

SCDC provides a wide range of communication possibilities, including PROFINET, EtherNet/IP, and the MQTT, as well as field communication such as IO-Link, CANopen, RS485, and local I/O. This wide range of communication possibilities allows the user to connect with many devices for example PLC, IoT devices and IT servers, HMI, distributed frequency inverters to control conveyors, CANopen drives, barcode readers, RFID readers, IO-Link devices and IO-Link hubs, and sensors or actuators through local I/O.

Due to the wide range of communication possibilities, the SCDC and the whole FlexLink Device Platform are ready and compatible with a wide range of external components from 3rd party suppliers. For detailed information, please refer to the technical documentation.

## Communication possibilities



## Technical data

**SCDC Distributed Controllers**

FlexLink Device Platform - Field Controller

Distributed Controller, CAN **SCDC 12I4OCAN**  
 Distributed Controller, RS485 **SCDC 12I4ORS485**

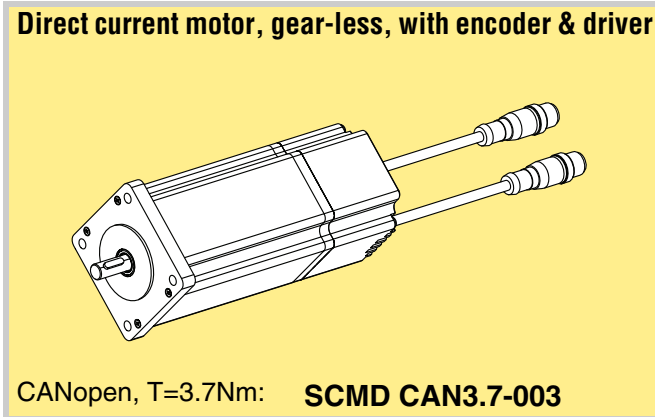
	SCDC 12I4OCAN	SCDC 12I4ORS485
M12 connector		
PWR	24 V <sub>DC</sub> , T-coded	RS485
COM	CAN	
ETH	2 x Ethernet ports	
X1-X4	4 x (IO-Link + DI)	
X5, X6	2 x (DI + DI)	
X7, X8	2 x (DO + DO)	
Diagnose LED	1 x power 1 x Run 2 x LAN activity 1 x error, 1 x CAN activity 8 x IOs	
Dimensions WxHxD [mm]	210x85x35	
Max power loss [W]	4.5	
Weight [g]	900	
EMC	Conforms to IEC 61000-6-2 and IEC 61000-6-4	
IP-rating	IP65 according to IEC 60529	
Temperature [°C]	Operating ambient: -20 to +55 Storage: -20 to +60	
Humidity [%]	Relative 5 to 95 no condensation	
Compliance	CE	
Included in delivery	1 x SCDC 12I4OCAN / 12I4ORS485 4 x M5 x 16 - 8.8 - A2K screw 4 x end plugs M12 T code female power connector 4pin M12 connector dust caps	

## SCMD

The SCMD Integrated Motor is equipped with single-turn encoders and are ready-to-use mechatronic drives that allow FlexLink to build electrical functions with precise positional control of mechanical systems such as stoppers, diverters, mergers, and many more.

*Note!*

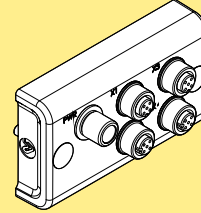
The SCMD Integrated Motor can be used only with the SCDC Distributed Controller.



## SCPD

The SCPD, Power Distributor components provide compact power distribution for 24V<sub>DC</sub> to supply other Flex-Link Device Platform components. The M12 connector is used, and power boxes are available in three different sizes/types, depending on outlet numbers, power, and connection coding (A- and T-code).

### Power Distributor



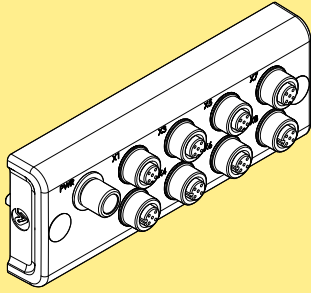
Power Box (4 ports 24V) A-code  
M12 A-code  
Bracket kit

**SCPD 424VDC16A  
FLX1000458**

### Technical data

SCPD 424VDC16A		
Dimensions WxHxD [mm]	97x56x20	
Weight [g]	320	
Max power loss [W]	4.8	
EMC	Conforms to IEC 61000-6-2 and IEC 61000-6-4	
IP-rating	IP65, unused connectors must be plugged	
Temperature [°C]	Operating ambient: -20 to +55 Storage: -20 to +60	
Humidity [%]	Relative 5 to 95, no condensation	
Compliance	CE	
	<b>POWER</b>	<b>X1 - X4</b>
Type	M12 T-Power male 4-pin	M12 A-coded female 4-pin
Fuses	No	
Current I <sub>max</sub> [A]	10	4
Nominal voltage	24 V <sub>DC</sub> (L+=24V <sub>DC</sub> L -=0V <sub>DC</sub> )	
Voltage	18 - 30 V <sub>DC</sub>	

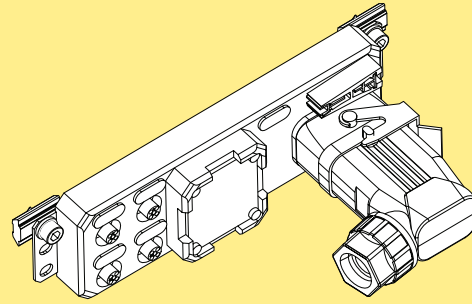
### Power Distributor



Power Box (8 ports, 24V)  
A-code  
M12 A-code  
Bracket kit

**SCPД 824VDC16A**  
**FLX1000396**

### Power Distributor



Power Box (4 ports, 24V)  
T-code  
M12 T-code

**SCPД 424VDC16A H**

*Note: Max 10A per channel, including fuses.*

### Technical data


SCPД 824VDC16A		
Dimensions WxHxD [mm]	147x56x20	
Weight [g]	500	
Max power loss [W]	4.8	
EMC	Conforms to IEC 61000-6-2 and IEC 61000-6-4	
IP-rating	IP65, unused connectors must be plugged	
Temperature [°C]	Operating ambient: -20 to +55 Storage: -20 to +60	
Humidity [%]	Relative 5 to 95, no condensation	
Compliance	CE	
	<b>POWER</b>	<b>X1 - X8</b>
Type	M12 T-Power male 4-pin	M12 A-coded female 4-pin
Fuses	No	
Current I <sub>max</sub> [A]	10	4
Nominal voltage	24 V <sub>DC</sub> (L+=24V <sub>DC</sub> L -=0V <sub>DC</sub> )	
Voltage	18 - 30 V <sub>DC</sub>	

### Technical data

SCPД 424VDC16A H	
Dimensions WxHxD [mm]	212x60x64 (Power box without connector)
Weight [g]	700
IP-rating	IP66, IP67
Temperature [°C]	Operating ambient: -25 to 60 Storage ambient: -25 to 80
	<b>X1 - X4</b>
Fuses	Yes
Current I <sub>max</sub> [A]	10
Nominal voltage	24 V <sub>DC</sub>
Voltage	Max 30,5 V <sub>DC</sub>


**Cables**

**Can Cables**



Connection cable:  
 0.3m **FLX1005450**  
 2m **FLX1005451**  
 5m **FLX1005452**


**Can Cables**



Connection cable kit:  
 Cable kit **FLX1005449**  
*Cable with open end plus connector for self-assembly*

**Connectors**

**Can Connectors**




T-connector, 5-pin **FLX1005446**

**Can Connectors**



Fieldbus termination:  
 CAN, male **FLX1005447**

**Can Connectors**



Fieldbus termination:  
 Connector 5-pin male **FLX1005448**

CC

X45

XS

X65

X65P

X85

X85P

XH

XK

XKP

X180

X300

GR

CS

XT

HU

WL

WK

XC

XF

XD

ELV

**SC**

FST

TR

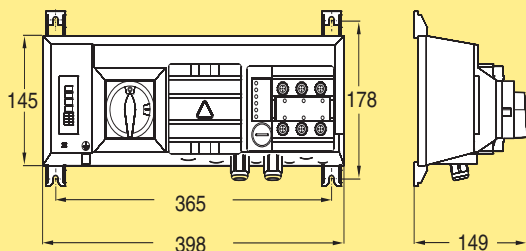
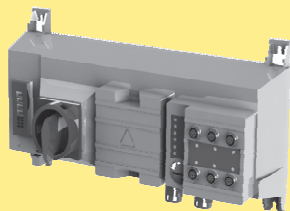
APX

IDX

## Communication interfaces for drive units

Profibus, and DeviceNet, Profinet and Ethernet/IP type fieldbus interfaces are available. Type Z6 includes a power switch.

### Field bus interfaces

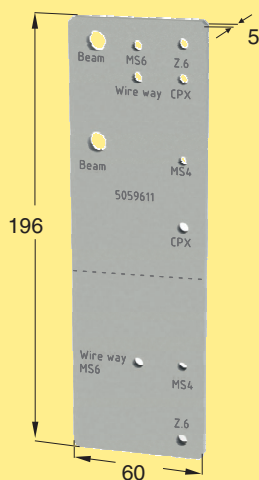


#### Field bus interfaces

Z.6 Profibus (4 digital inputs and 2 digital outputs included, M12)	<b>5057737</b>
Z.6 DeviceNet (4 digital inputs and 2 digital outputs included, M12)	<b>5057738</b>
Z.6 Profinet (4 digital inputs and 2 digital outputs included, M12)	<b>5122718</b>
Z.6 Ethernet/IP (4 digital inputs and 2 digital outputs included, M12)	<b>5122719</b>

## Accessories

### Bracket kit for Air supply equipment, Field bus interfaces



Bracket kit **5111952**

*Including one pair of bracket 5059611.*