

Content

End drive unit - XK	1
End drive unit.....	2
End drive unit.....	3
End drive unit.....	4
End drive unit, heavy-duty	5
End drive unit, heavy-duty	6
End drive unit, direct drive	7
End drive unit, direct drive	8
End drive unit, overhead motor.....	9
End drive unit, overhead motor.....	10
Double drive unit - XK	11
Double drive unit (c/c 106 mm).....	12
Double drive unit (c/c 106 mm).....	13
Double drive unit.....	14
Double drive unit (c/c 150-350 mm).....	15
Double drive unit (c/c 150-350 mm).....	16
Catenary drive unit - XK	17
Catenary drive unit.....	18
Catenary drive unit.....	19
Catenary drive unit.....	20
Catenary drive unit.....	21
Catenary drive unit, heavy-duty.....	22
Catenary drive unit, heavy-duty.....	23
Horizontal bend drive unit - XK	25
Horizontal bend drive unit.....	26
Horizontal bend drive unit.....	27
Horizontal bend drive unit.....	28
Idler unit - XK	29
Idler unit	30
Idler unit	31
Wheel bends XSBH-, XLBH-, XBBH-, XMBH-, XHBH-, XKBH-, XTBH-	33
Complete wheel bend.....	33
Pallet diverter kits, type A	36
Pallet diverter kits, type A	37
Pallet merge kits, type A	38
Pallet merge kits, type A	39
Combined pallet divert/merge kits, type A.....	40
Combined pallet divert/merge kits, type A.....	41
Pallet locating station and pallet stop, type A, XKPX 175 A	43
Pallet locating station and pallet stop, type A/B, XKPD 32x15 LA/LB	45
Pallet stop device, type A/B, XKPD 32x15 A/C	46
Spare parts Slide rail - XK	47
Spare parts Chains - XK	49
Spare parts Guide rail cover - XK	51
Product designations in alphanumeric order	53

© Copyright FlexLink 2025

The contents of this publication are the copyright of the publishers and may not be reproduced (even extracts) unless permission is granted. Every care has been taken to ensure the accuracy of the information but no liability can be accepted for any errors or omissions. The right is reserved to make design modifications.

Patents

Essential parts of the FlexLink product range are protected by patents and design regulations.

Drawings are made to European standards.

Catalogue instructions

1. How to read the catalogue: Open the catalogue and from the pictorial index locate the group in which the part you want to find is present. Turn over to the concerned page number (as given by pictorial index). Now find out the figure of the part you wish to order. Jot down the part number against that particular figure number from the text. In case, if you have the part number and you need the other details, the part index can be used. The part index (at the end of the catalogue) will give you the figure and page number of the part you wish to order.

2. How to order spare parts: The part number and the description of the part required should be invariably mentioned in the order as per the catalogue text. The latest part number as conveyed through our service circulars should only appear on the order. In case of ordering colored components, color code of the components should be mentioned. The quantity shown against the part number is the quantity per unit for that group so that particular quantity should be multiplied by the number of sets required.

3. Abbreviations: The following abbreviations are used in this catalogue:

assly.	Assembly
V	Volts
N.I.	Not illustrated
W	Watt
Comp.	Complete
Fr	Front
Std.	Standard
L	Length
A/t.	Alternate
Rr	Rear
L.H.	Left hand
R.H.	Right hand
AR	As required
<i>(Part number)</i> Part number presented in “parentheses” and in Italic character style	Parts are included in a Spare parts kit.
*)	These items can only be purchased as part of a kit and when an item has an * the corresponding item always is placed between brackets (..) see above.
Recommended Spare part	Parts which are usually kept in stock and have short turnaround (See item 4)

4. Recommended Spare parts:

Several items of the complete spare parts overview are earmarked as recommended spare parts. FlexLink advises its customers to purchase and stock these specific items for replacement in case of failure of the original item. The recommended spares are limited to only these items for which the cost of buying is in a fair relationship to the risk (i.e. probability * impact) of sudden failure. It merely consists of wear parts and some electrical and pneumatic components.

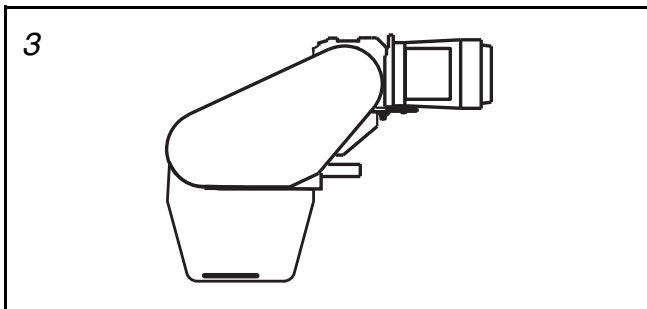
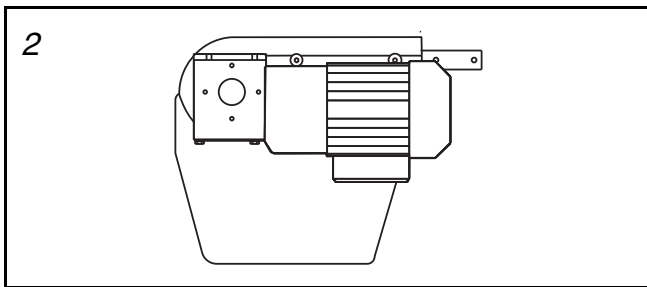
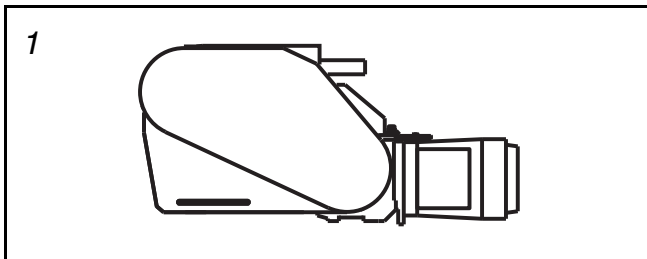
Spare parts End drive unit - XK

Technical information from FlexLink

XK001-E15

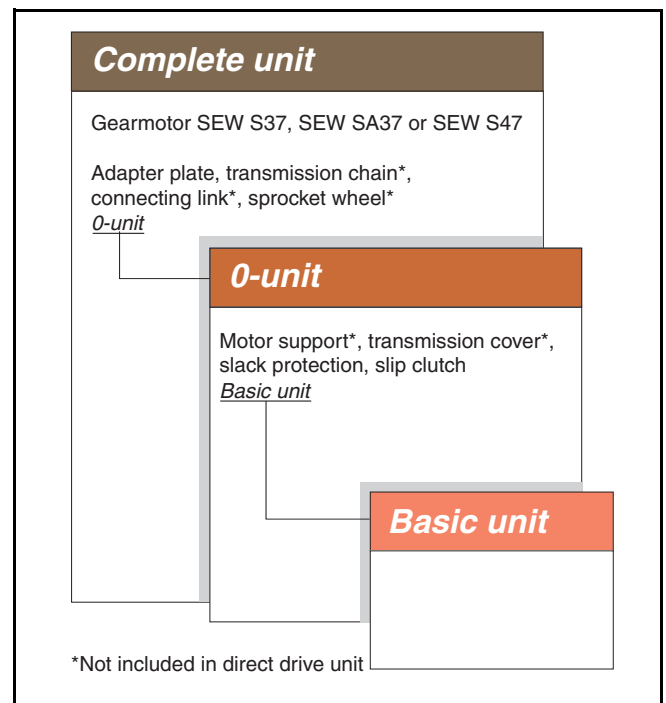
End drive unit - XK

Contents



Revision list

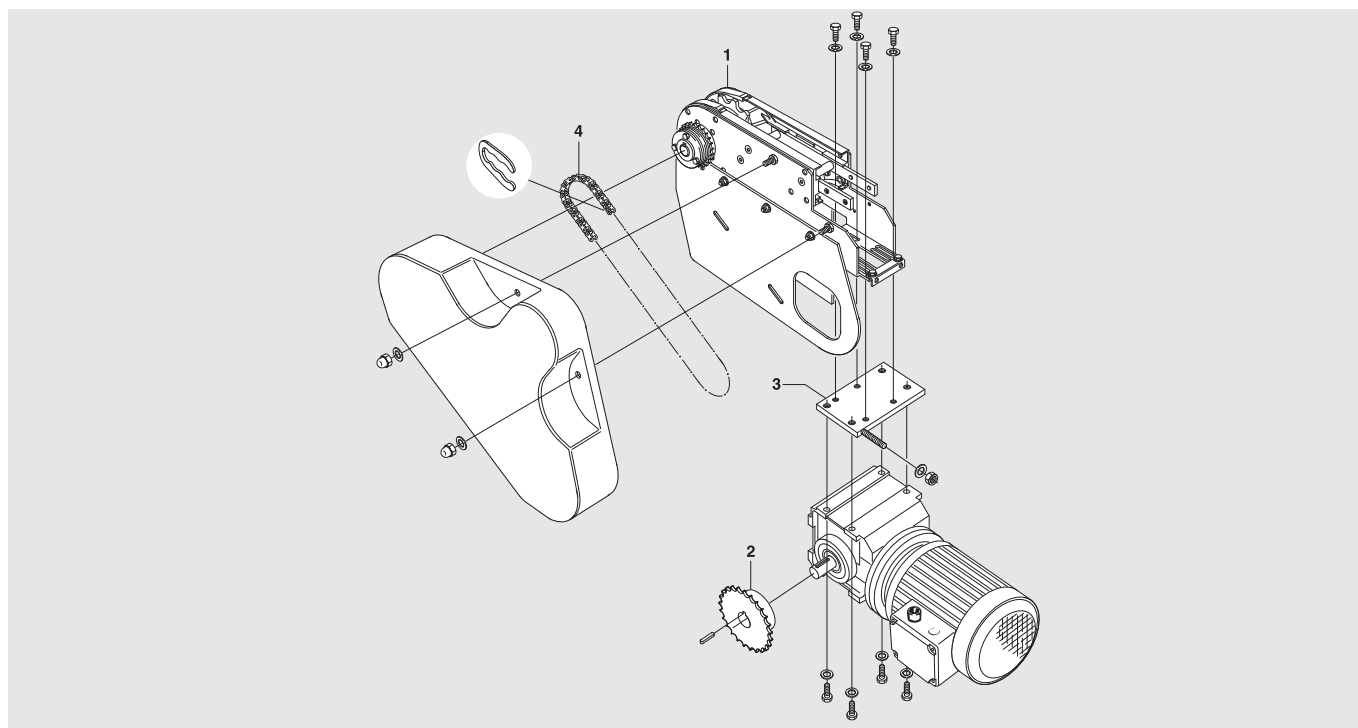
Doc ID	Date	Type of revision	Entered by
XK001-E1	98-10-14	New version	Enator Inforum
XK001-E2	00-05-15	Part No change	AerotechTelub
XK001-E3	00-06-14	End drive unit, direct drive XKEB HLP/HRP added	AerotechTelub
XK001-E4	00-09-15	XKEB HLP/HRP: changed to XKEB LP/RP	AerotechTelub
XK001-E5	00-10-04	P. 11 XKEB 0 LU/RU del.	AerotechTelub
XK001-E6	01-04-24		
XK001-E7	08-10-30	Spare part kits added	JE
XK001-E8	09-03-19		JE
XK001-E9	10-02-12	Updated (page 4)	JE
XK001-E10	10-02-16	Slip clutch SP kit deleted	JE
XK001-E11	10-06-22	Added new col.	JE
XK001-E12	19-12-09	Updated sprocket wheel tables	ML
XK001-E13	21-05-05	Updated logo and lists	TG
XK001-E14	23-04-14	Updated content of kit 5111652	IR
XK001-E15	25-04-04	Added note for part 5051421	IR



End drive unit

Complete unit – XKEB _L/R/LA/RA

For SEW S37 gearmotor



Item	Description	Part No	Qty	Comments	Recommended Spare parts
1	0-unit (left-hand version)	XKEB 0 L/LA	1	See next page for details	
	0-unit (right-hand version)	XKEB 0 R/RA	1	See next page for details	
	Motor alternative, see Drive unit guide 5014				
2	Sprocket wheel 1/2" including set screw		1	See table below	X
3	Adapter plate including bolts and washers	3924197	1	For SEW S37 gearmotor	
	Adapter plate	3924455	1	Blind adapter plate	
4	Transmission chain 1/2" including connecting link	3921638	1	ISO/R- 1967- 08B- 1 (ISO)	X
	Transmission chain 1/2" including connecting link	5044948	1	ISO/R- 1967- 08A- 1 (ANSI)	X

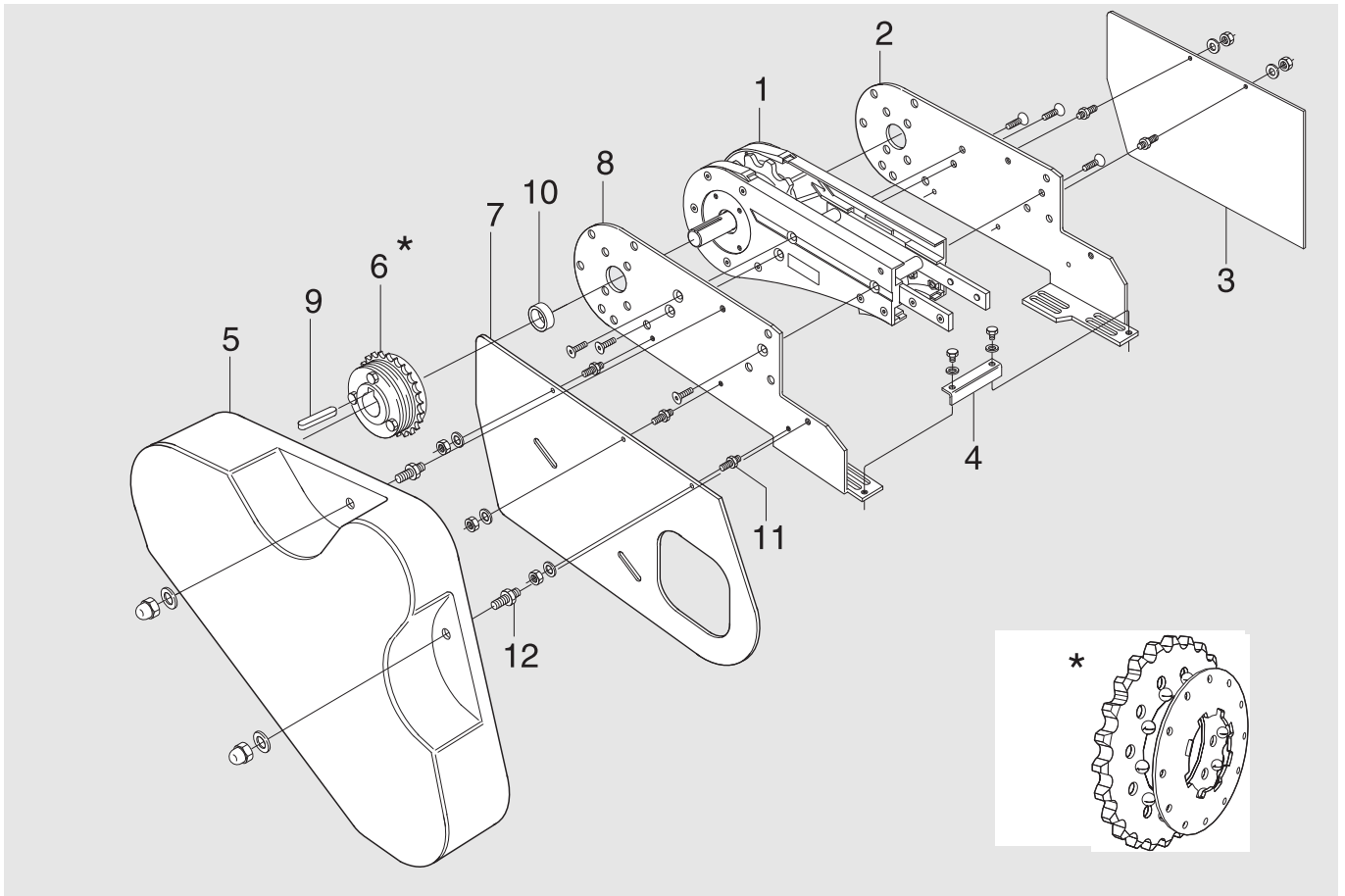
Important

Items 2-4 must be ordered separately when ordering a 0-unit (item 1). The sprocket wheel (item 2) should be specified in accordance with the following table:

Sprocket wheel 1/2"	Part No (SEW)	Shaft diameter
z=19 ISO	3924438	20
z=21 ISO	3924439	20
z=23 ISO	3924440	20
z=25 ISO	3921258	20
z=15 ANSI	5044935	19,05
z=17 ANSI	5044936	19,05
z=19 ANSI	5044937	19,05
z=21 ANSI	5044938	19,05
z=23 ANSI	5044939	19,05
z=25 ANSI	5044940	19,05

End drive unit

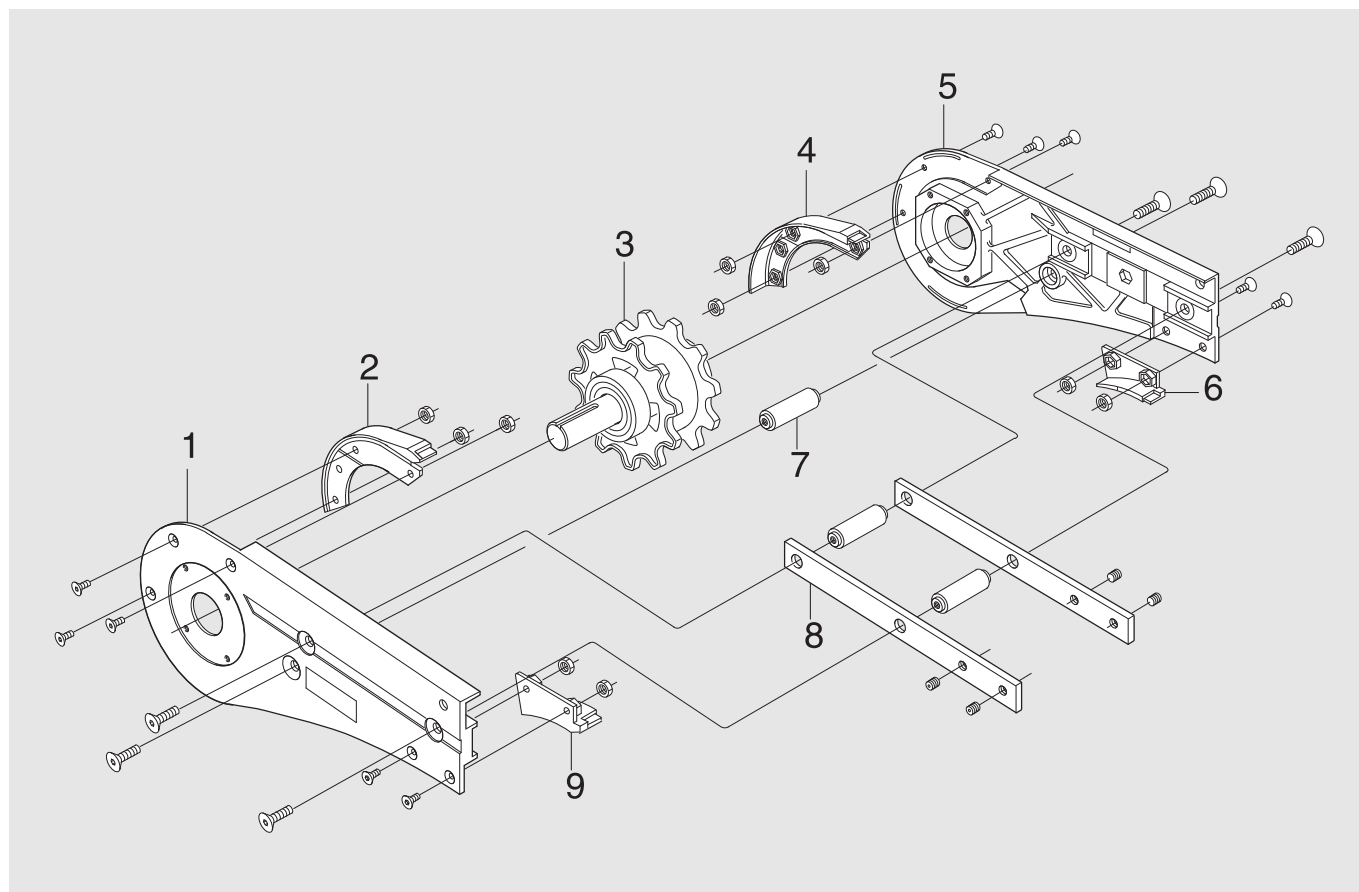
0-unit – XKEB 0 L/R/LA/RA



Item	Description	Part No	Qty	Comments	Recommended Spare parts
1	Basic unit (left-hand version)	XKEB 0 HLU	1	See next page for details	
	Basic unit (right-hand version)	XKEB 0 HRU	1	See next page for details	
2	Motor bracket	3925025	1		
3*	Slack protection	(3925590)	1	See kit below	
4	Adjusting block	3924287	1		
5	Transmission cover	3925068	1		
6	Slip clutch Ø25 mm	5053981	1	ISO	
*	-Slip clutch, Spare parts kit	5056817	1	ISO, incl. cup spring, ball, chain wheel.	X
	Slip clutch Ø25 mm	5054000	1	ANSI	
	-Slip clutch, Spare parts kit	5056820	1	ANSI, incl. cup spring, ball, chain wheel.	X
7*	Slack protection	(3925589)	1	See kit below	
8	Motor bracket	3925024	1		
9	Thin parallel key	DIN 6885A h9	1	8×7–50	
10	Distance	3925325	1		
11*	Distance screw	(3904862)	5	See kit below	
12*	Distance screw	(3904855)	2	See kit below	
*) 3+7	Slack protection kit	5111650	1		
*) 11	Distance screw kit	5111600	1	Kit contains 10 pcs	
*) 12	Distance screw kit	5111599	1	Kit contains 10 pcs	

End drive unit

Basic unit – XKEB 0 HLU/HRU

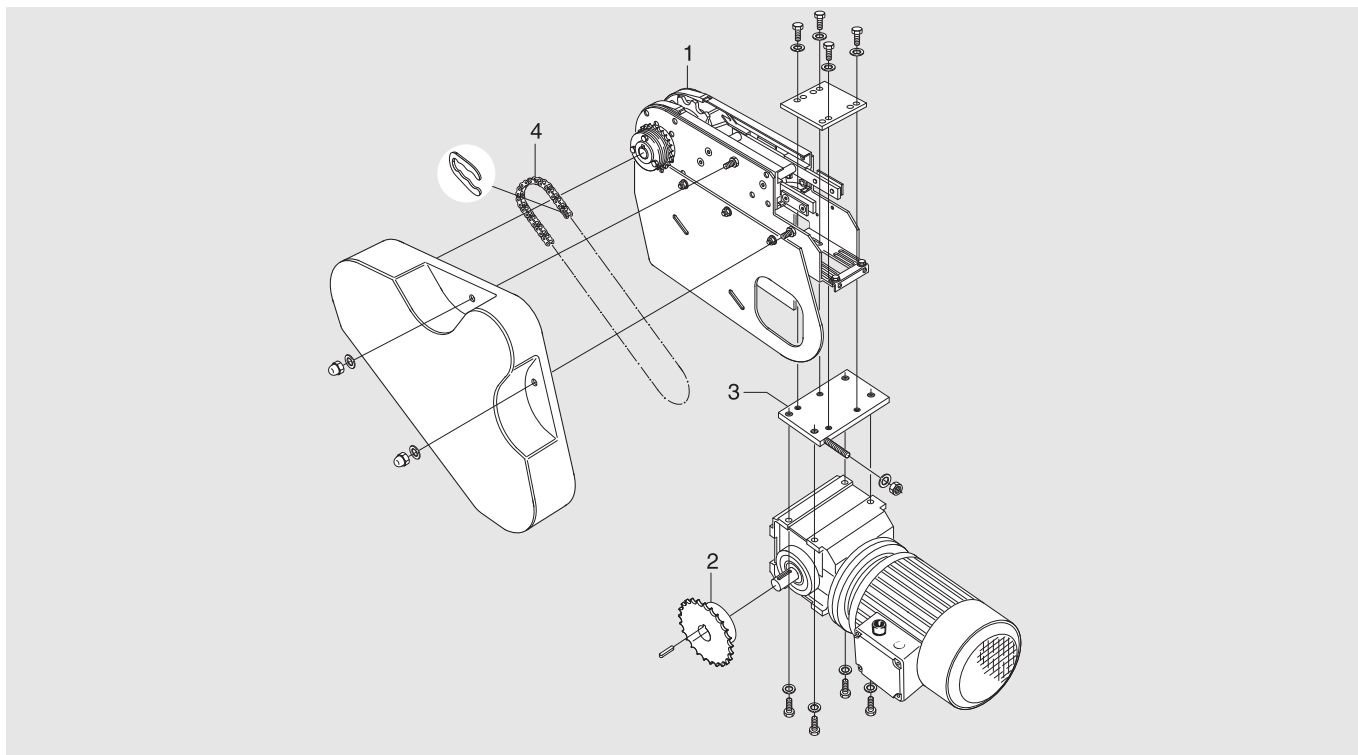


Item	Description	Part No	Qty	Comments	Recommended Spare parts
1*	Side plate L	(3920210)	1	See kit below	
2, 4	Spare parts kit Steering guide	5051421	1	Cut the guide according to the included instruction	X
3	Drive wheel kit	5116503	1	Incl. wheel, shaft, bearing and wedge	X
5*	Side plate R	(3920209)	1	See kit below	
6*	Guide R	(FLX1007084)	1	See kit below	
7	Spacer	3924989	3		
8	Connecting strip	3921123	2		
9*	Guide L	(FLX1007085)	1	See kit below	
*) 1+5	Side plate kit	5111651	1		
*) 6+9	Spare parts kit Guide	5111652	1		X

End drive unit, heavy-duty

Complete unit – XKEB_ HL/HR/HLA/HRA

For SEW S47 gearmotor



Item	Description	Part No	Qty	Comments	Recommended Spare parts
1	0-unit (left-hand version)	XKEB 0 HL/HLA	1	See next page for details	
	0-unit (right-hand version)	XKEB 0 HR/HRA	1	See next page for details	
2	Sprocket wheel 5/8" incl. grub screw		1	See table below	X
3	Adapter plate incl. bolts and washers, reinforc. plate	3925035	1		
	Adapter plate	3924455	1	Blind adapter plate	
4	Transmission chain 5/8" incl. connecting link	3925957	1	ISO/R- 1967- 08B- 1 (ISO)	X
	Transmission chain 5/8" incl. connecting link	5044980		ISO/R- 1967- 08A- 1 (ANSI)	X

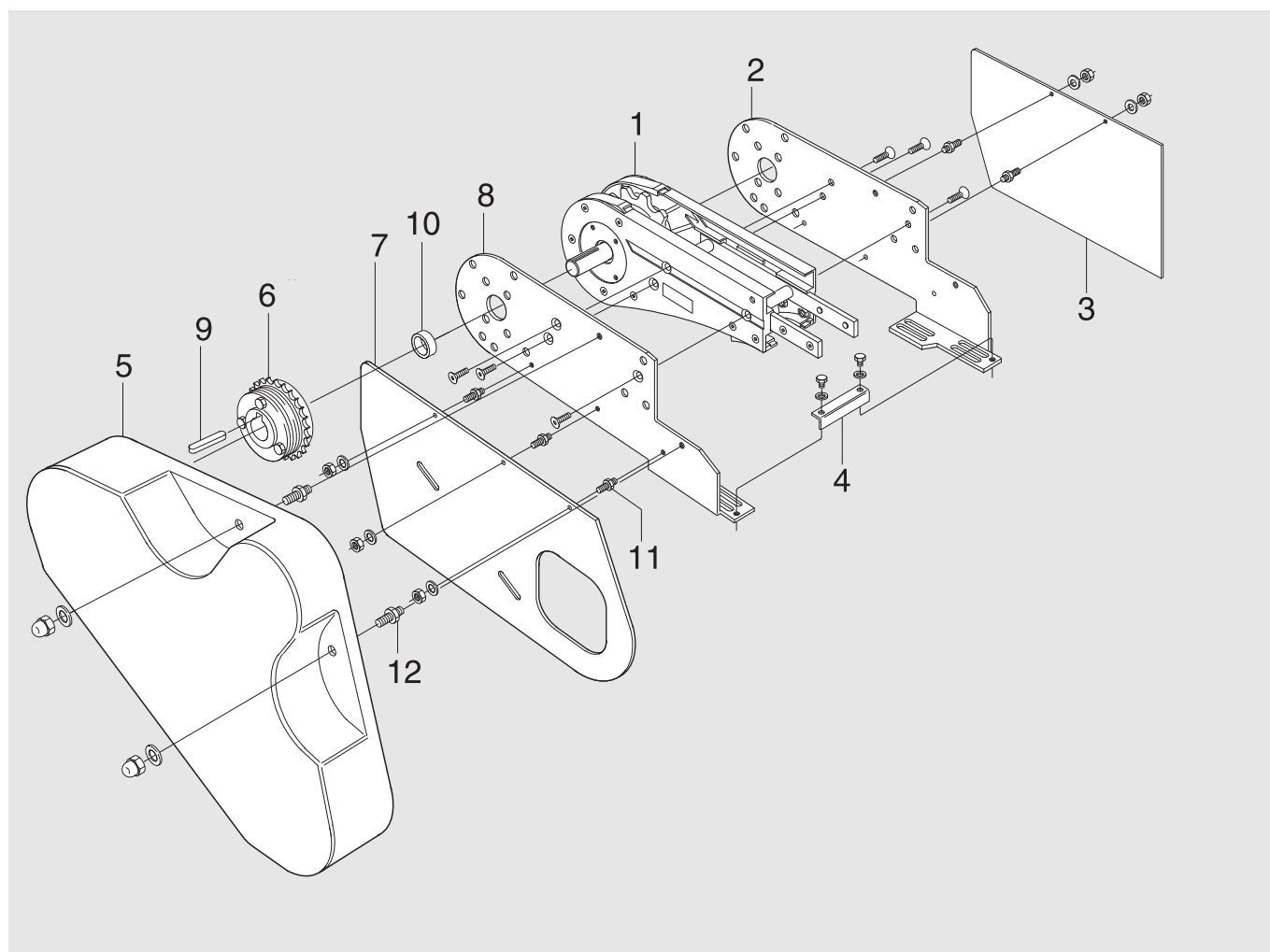
Important

Items 2-4 must be ordered separately when ordering a 0-unit (item 1). The sprocket wheel (item 2) should be specified in accordance with the following table:

Sprocket wheel 5/8"	Part No (SEW)	Shaft diameter
z=15 ANSI	5044972	25,4
z=17 ANSI	5044973	25,4
z=19 ANSI	5044974	25,4
z=21 ANSI	5044975	25,4
z=23 ANSI	5044976	25,4
z=25 ANSI	5044977	25,4
z=17 ISO	3925260	25
z=19 ISO	3925261	25
z=21 ISO	3925262	25
z=23 ISO	3925263	25
z=25 ISO	3925264	25

End drive unit, heavy-duty

0-unit – XKEB 0 HL/HR/HLA/HRA

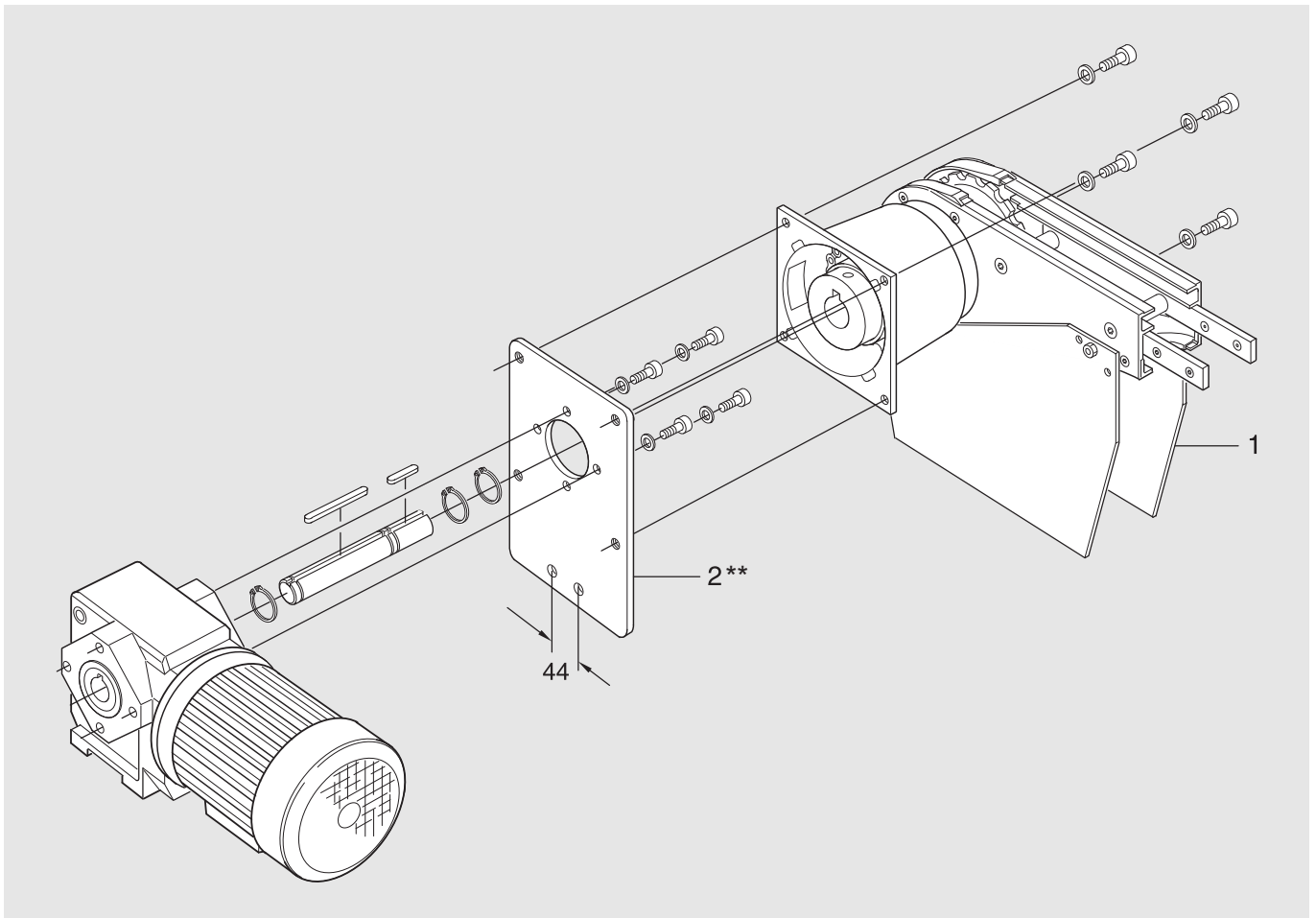


Item	Description	Part No	Qty	Comments	Recommended Spare parts
1	Basic unit (left-hand version)	XKEB 0 HLU	1	See Page 4 for details	
	Basic unit (right-hand version)	XKEB 0 HRU	1	See Page 4 for details	
2	Motor bracket	3925025	1		
3*	Slack protection	(3925590)	1	See kit below	
4	Adjusting block	3924287	1		
5	Transmission cover	3925068	1		
6	Slip clutch Ø25 mm	5054001	1	ISO, 5/8"	X
	Slip clutch Ø25 mm	5054002	1	ANSI, 5/8"	X
7*	Slack protection	(3925589)	1	See kit below	
8	Motor bracket	3925024	1		
9	Thin parallel key	8×7–50	1	DIN 6885 A h9	
10	Distance	3925325	1		
11*	Distance screw	(3904862)	5	See kit below	
12*	Distance screw	(3904855)	2	See kit below	
*) 3+7	Slack protection kit	5111650	1		
*) 11	Distance screw kit	5111600	1	Kit contains 10 pcs	
*) 12	Distance screw kit	5111599	1	Kit contains 10 pcs	

End drive unit, direct drive

Complete unit – XKEB_LP/RP/LAP/RAP

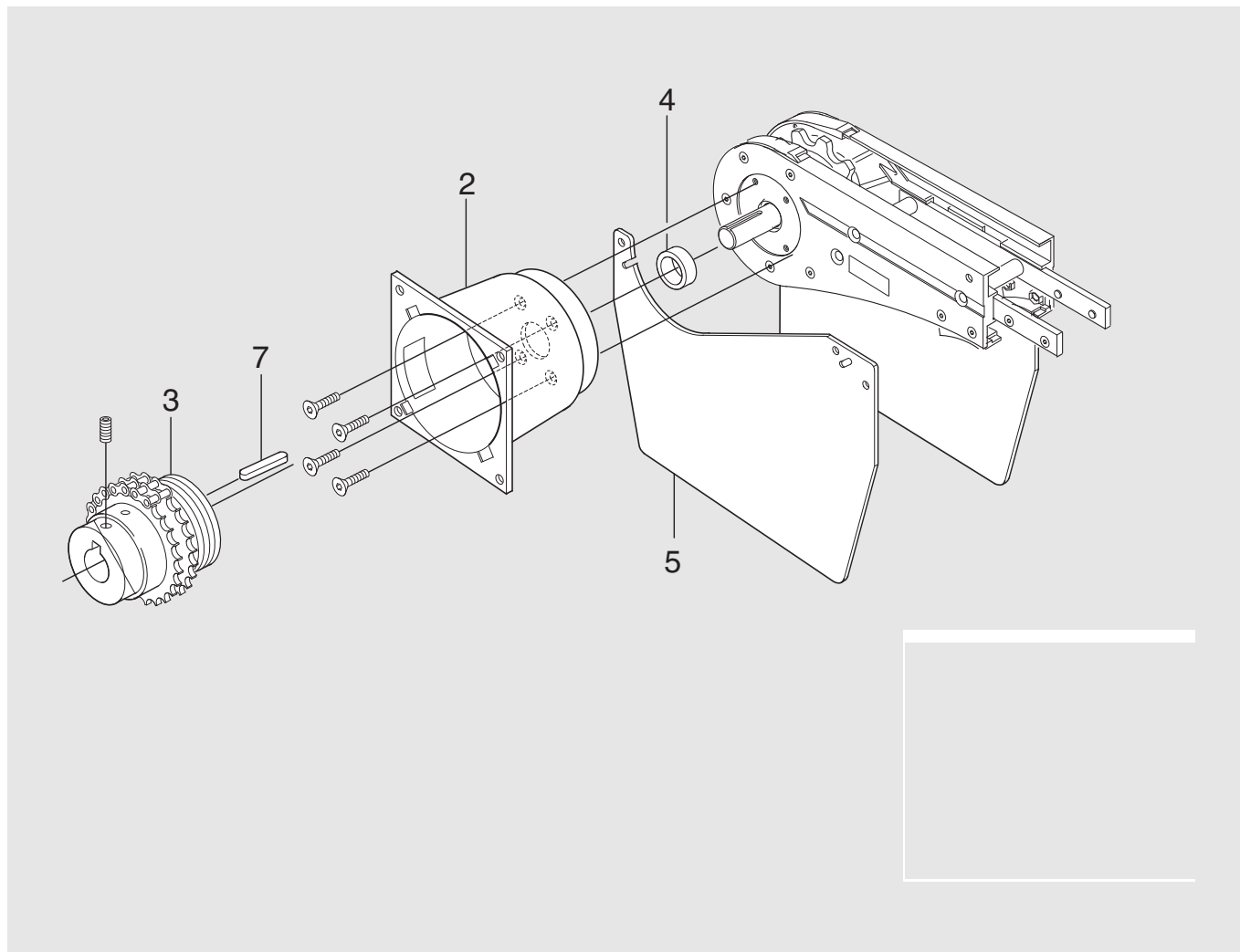
For SEW SA37 gearmotor



Item	Description	Part No	Qty	Comments	Recommended Spare parts
1	0-unit (left-hand version)	XKEB 0 LP	1	See next page for details	
	0-unit (right-hand version)	XKEB 0 RP	1	See next page for details	
	Motor , see Drive unit guide 5014				
2	Adapter plate including bolts, washers and shaft	5117108	1	SEW SA37 gearmotor The illustration shows part no 3920088	

End drive unit, direct drive

0-unit – XKEB 0 LP/RP

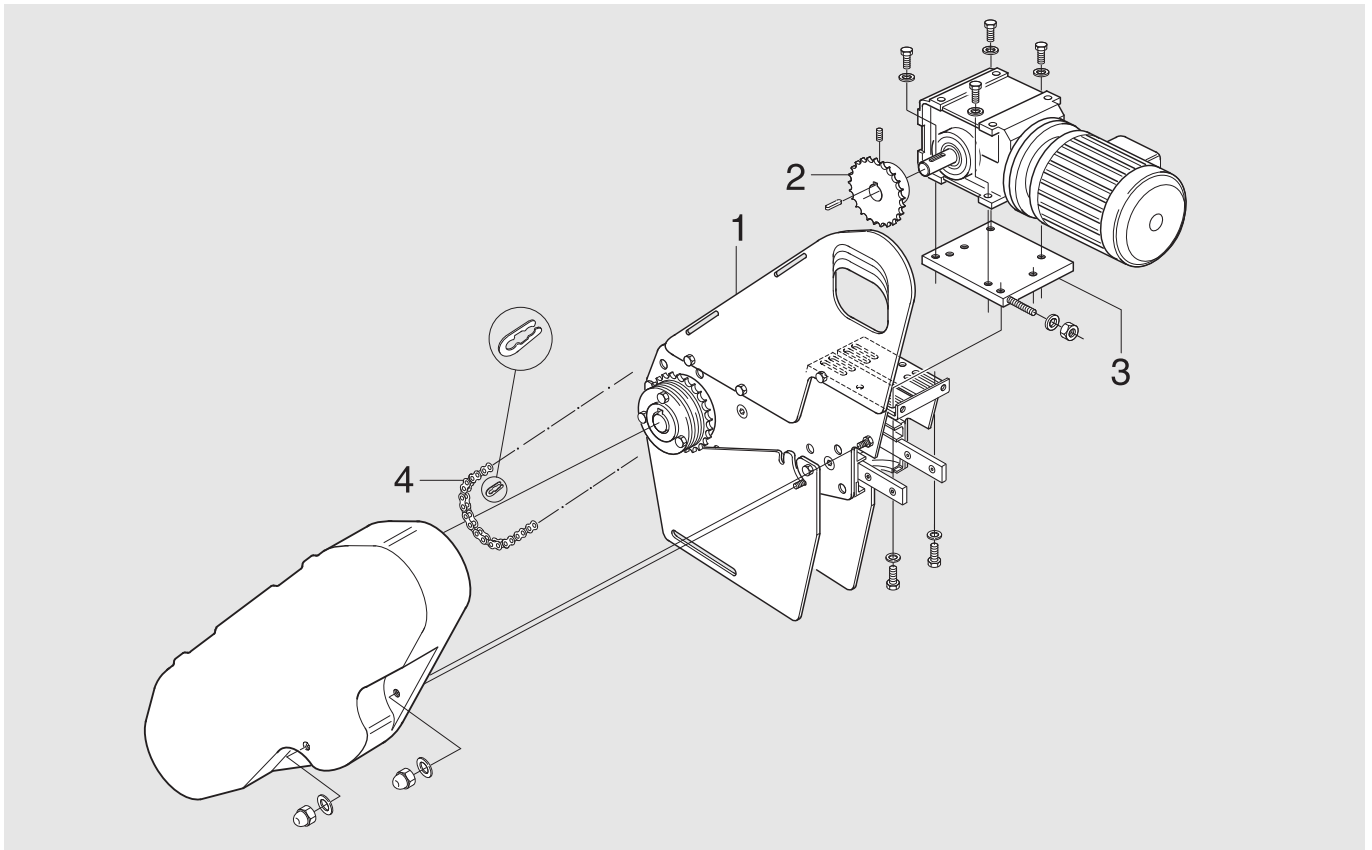


Item	Description	Part No	Qty	Comments	Recommended Spare parts
1	Basic unit (left-hand version)	XKEB 0 HLU	1	See Page 4 for details	
	Basic unit (right-hand version)	XKEB 0 HRU	1	See Page 4 for details	
2	Flange	3920084	1		
3	Slip clutch Ø20–Ø25 mm	5054003	1		X
4	Distance ring	3925921	1		
5*	Slack protection	(5048340)	2	See kit below	
6	Screw	(3925718)	4	See kit below	
7	Thin parallel key	8x7–40	1	DIN 6885 A h9	
*) 5	Slack protection kit	5111653	1	LH+RH	
*) 6	Distance screw kit	5111598	1	Kit contains 10 pcs	

End drive unit, overhead motor

Complete unit – XKEH _L/R/LA/RA

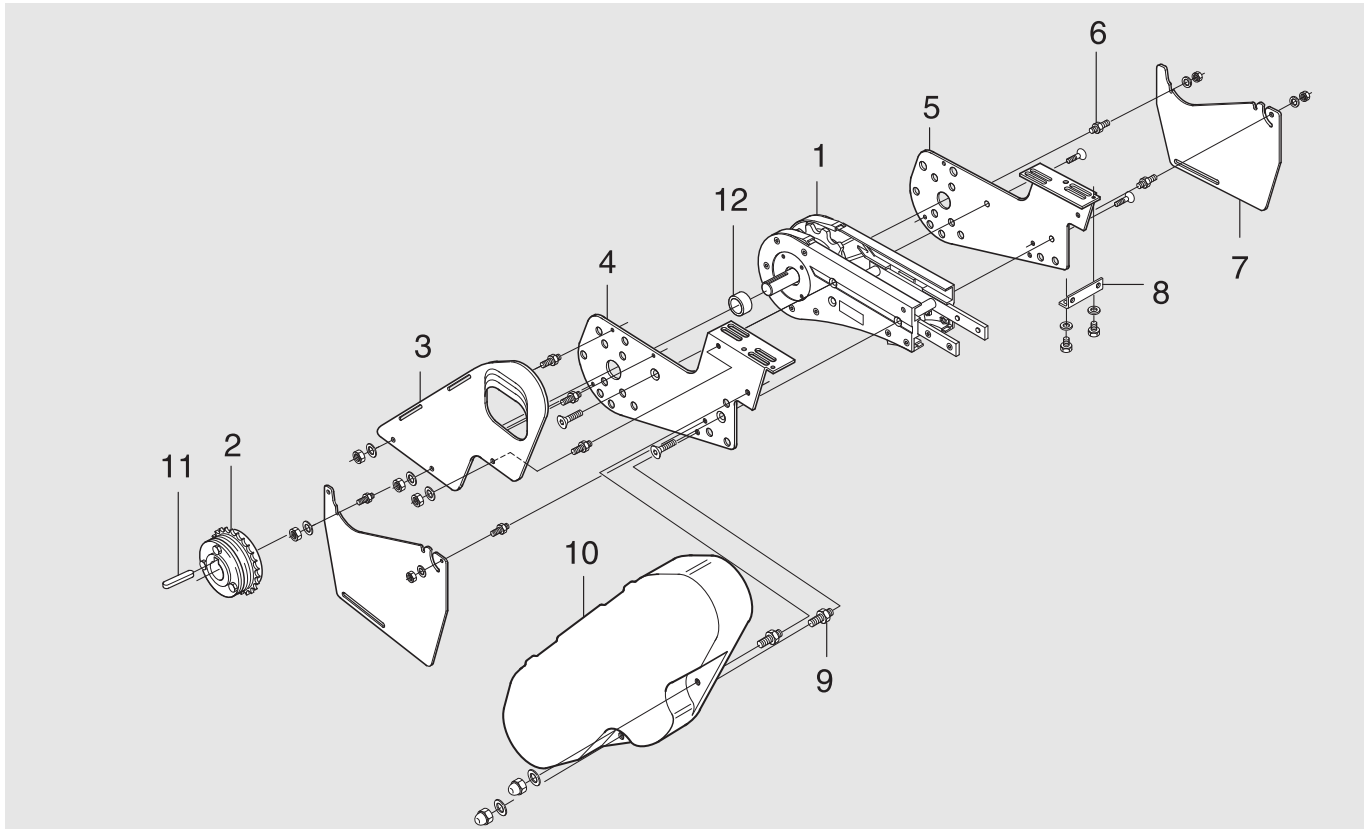
For SEW S37 gearmotor



Item	Description	Part No	Qty	Comments	Recommended Spare parts
1	0-unit (left-hand version)	XKEH 0 L/LA	1	See next page for details	
	0-unit (right-hand version)	XKEH 0 R/RA	1	See next page for details	
2	Sprocket wheel 1/2" including grub screw	See page 2	1	See table page 2	
3	Adapter plate including bolts and washers	3924197	1	For SEW S37 gearmotor	
	Adapter plate	3924455	1	Blind adapter plate	
4	Transmission chain 1/2" including connecting link	See page 2	1	ISO/R- 1967- 08B- 1 (ISO)	X
	Transmission chain 1/2" including connecting link	See page 2	1	ISO/R- 1967- 08A- 1 (ANSI)	X

End drive unit, overhead motor

0-unit – XKEH 0 L/R/LA/RA



Item	Description	Part No	Qty	Comments	Recommended Spare parts
1	Basic unit (left-hand version)	XKEB 0 HLU	1	See Page 4 for details	
	Basic unit (right-hand version)	XKEB 0 HRU	1	See Page 4 for details	
2	Slip clutch Ø25 mm	5053981	1	ISO	
	-Slip clutch, Spare parts kit	5056817	1	ISO, incl. cup spring, ball, chain wheel.	X
	Slip clutch Ø25 mm	5054000	1	ANSI	
	-Slip clutch, Spare parts kit	5056820	1	ANSI, incl. cup spring, ball, chain wheel.	X
3	Safety guard	3926402	1		
4	Motor bracket L	3926400	1		
5	Motor bracket R	3926401	1		
6*	Screw	(3904862)	6	See kit below	
7*	Slack protection	(3926375)	2	See kit below	
8	Adjusting block	3924287	1		
9*	Screw	(3904855)	2	See kit below	
10	Transmission cover	3925068	1		
11	Thin parallel key	8×7–50	1	DIN 6885A h9	
12	Distance ring	3925325	1		
*) 7	Slack protections kit	5111633	1		
*) 6	Distance screw kit	5111600	1	Kit contains 10pcs	
*) 9	Distance screw kit	5111599	1	Kit contains 10pcs	

Spare Parts Double drive unit - XK

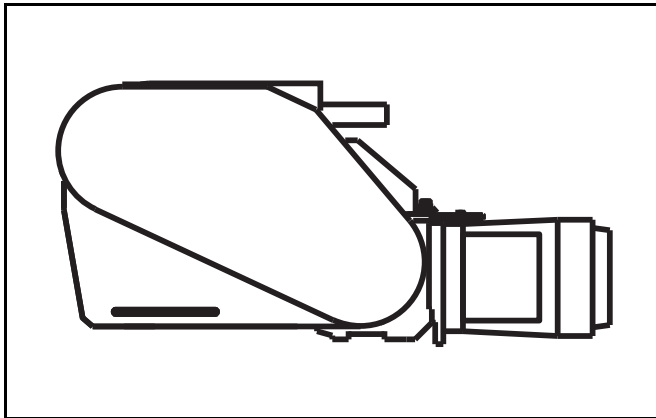
Technical information from FlexLink



a coesia company

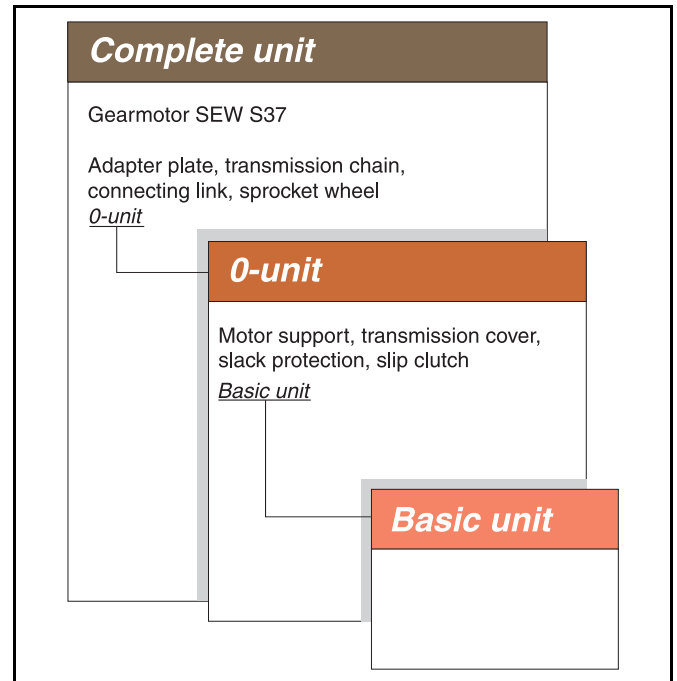
XK002-E11

Double drive unit - XK



Revision list

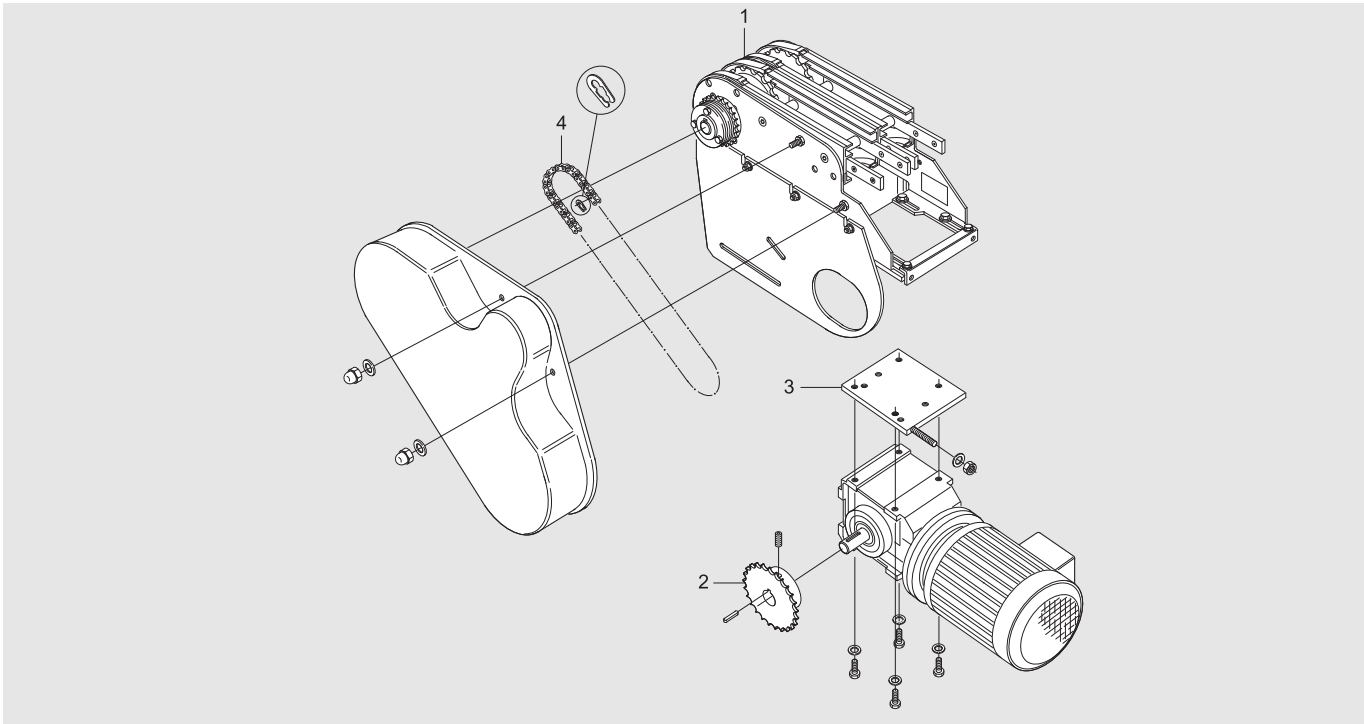
Document designation	Date	Type of revision	Entered by
XK002-E1	98-10-14	New version	Enator Inforum
XK002-E2	99-09-13	Double drive unit (c/c106mm)	TietoEnator
XK002-E3	00-05-15	P. 4 item 2,4: PartNo change	AerotechTelub
XK002-E4	08-10-22	Spare part kits added	JE
XK002-E5	09-03-19		JE
XK002-E6	10-06-22	Added new col.	JE
XK002-E7	19-02-09	Updated sprocket wheel tables	ML
XK003-E8	21-05-05	Updated logo and lists	TG
XK002-E9	23-04-14	Updated content of kit 5111652	IR
XK002-E10	23-11-08	Updated slack protection LD/LAD	TG
XK002-E11	25-04-04	Added note to part 5051421	IR



Double drive unit (c/c 106 mm)

Complete unit – XKEB _LD/RD106/LAD106/RAD106*

For SEW S37 gearmotor



Item	Description	Part No	Qty	Comments	Recommended Spare parts
1	0-unit (left-hand version)	XKEB 0 LD/LAD106	1	See next page for details	
	0-unit (right-hand version)	XKEB 0 RD/RAD106	1	See next page for details	
2	Sprocket wheel 1/2" including grub screw		1	See table below	X
3	Adapter plate including bolts and washers	3926310	1	For SEW S37 gearmotor	
4	Transmission chain 1/2" including connecting link	3921638	1	ISO/R- 1967- 08B- 1 (ISO)	X
	Transmission chain 1/2" including connecting link	5044948	1	ISO/R- 1967- 08A- 1 (ANSI)	X

* c/c 106 mm

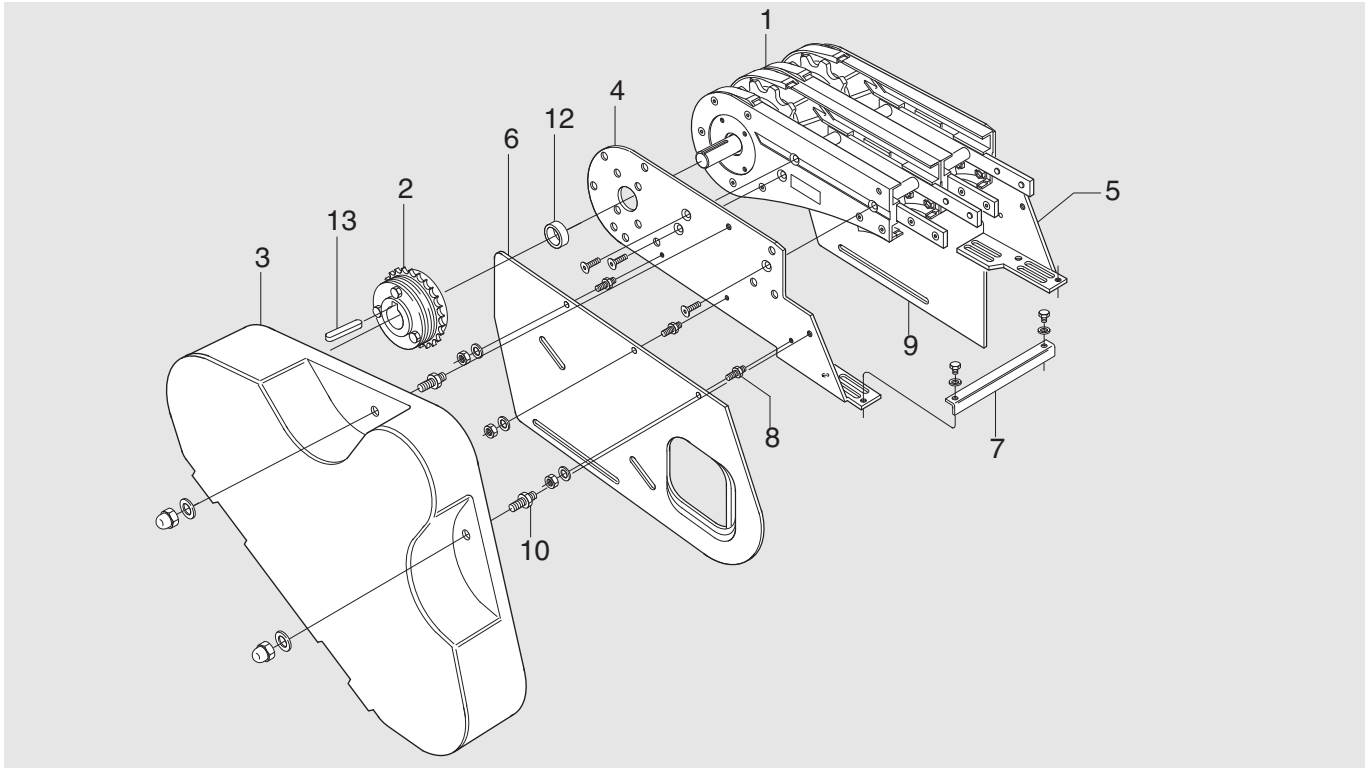
Important

Items 2-4 must be ordered separately when ordering a 0-unit (item 1). The sprocket wheel (item 2) should be specified in accordance with the following table:

Sprocket wheel 1/2"	Part No (SEW)	Shaft diameter
z=19 ISO	3924438	20
z=21 ISO	3924439	20
z=23 ISO	3924440	20
z=25 ISO	3921258	20
z=15 ANSI	5044935	19,05
z=17 ANSI	5044936	19,05
z=19 ANSI	5044937	19,05
z=21 ANSI	5044938	19,05
z=23 ANSI	5044939	19,05
z=25 ANSI	5044940	19,05

Double drive unit (c/c 106 mm)

0-unit – XKEB 0 LD/RD/LAD/RAD106*

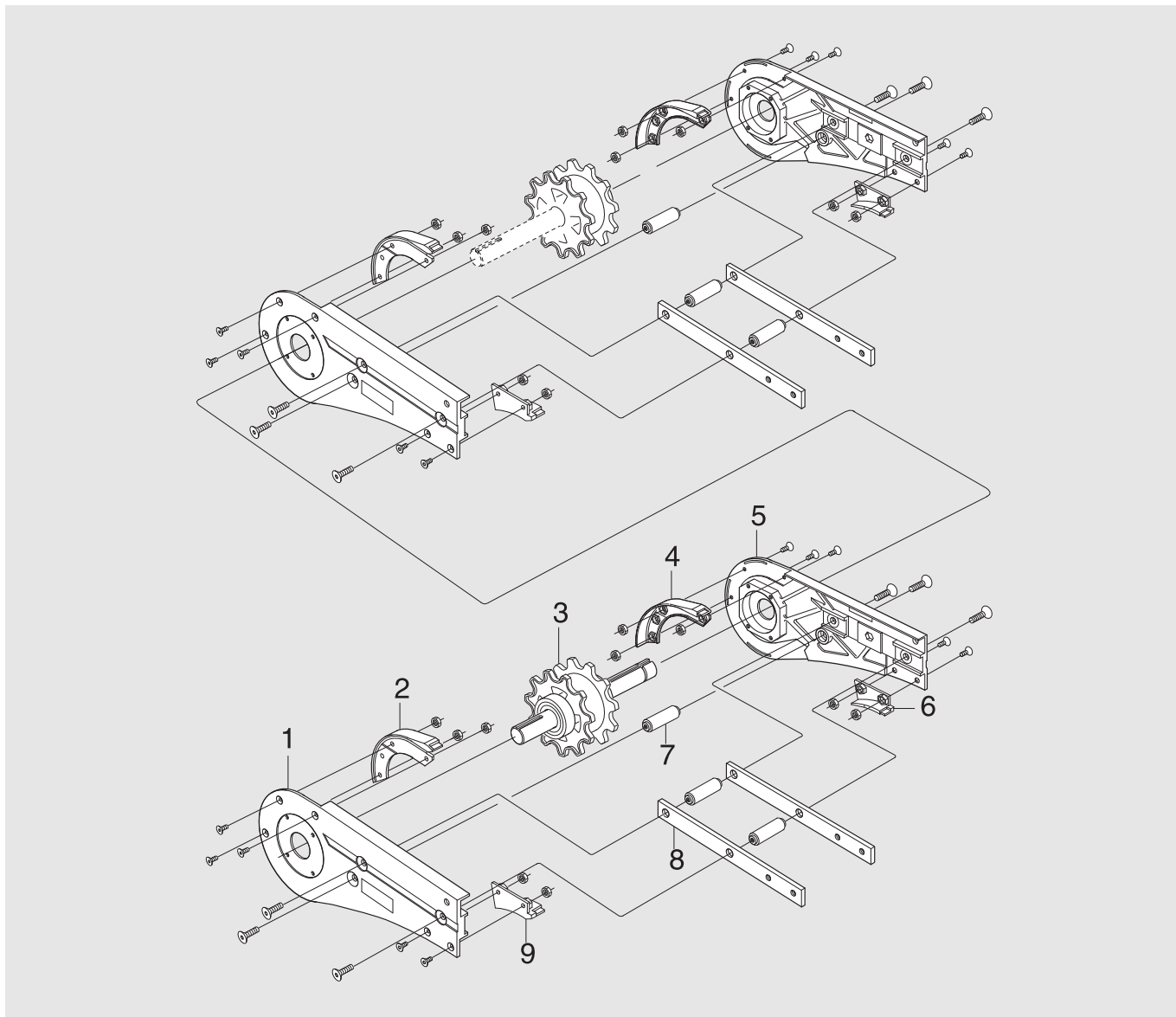


Item	Description	Part No	Qty	Comments	Recommended Spare parts
1	Basic unit	XKEB 0 LDU106	1	See next page for details	
	Basic unit	XKEB 0 RDU106	1	See next page for details	
2	Slip clutch Ø25 mm	5053981	1	ISO	
	-Slip clutch, Spare parts kit	5056817	1	ISO, incl. cup spring, ball, chain wheel.	X
	Slip clutch Ø25 mm	5054000	1	ANSI	
	-Slip clutch, Spare parts kit	5056820	1	ANSI, incl. cup spring, ball, chain wheel.	X
3	Transmission cover	3925068	1		
4	Motor bracket R	3925025	1		
5	Motor bracket L	3925024	1		
6*	Slack protection	(3925589)	1	See kit below	
7	Adjusting block	3926279	1		
8*	Distance screw M6	(3904862)	5	See kit below	
9*	Slack protection	(3925590)	1	See kit below	
10*	Distance screw M8	(3904855)	2	See kit below	
11	Adapter plate	3926310	1	c/c 106	
12	Distance	3925325	1		
13	Thin parallel key	DIN 6885A h9	1	8x7x63	
*) 6+9	Slack protection kit	5111650	1	LH+RH	
*) 8	Distance screw kit	5111600	1	Kit contains 10 pcs	
*) 10	Distance screw kit	5111599	1	Kit contains 10 pcs	

* c/c 106 mm

Double drive unit

Basic unit – XKEB 0 LDU/RDU106*

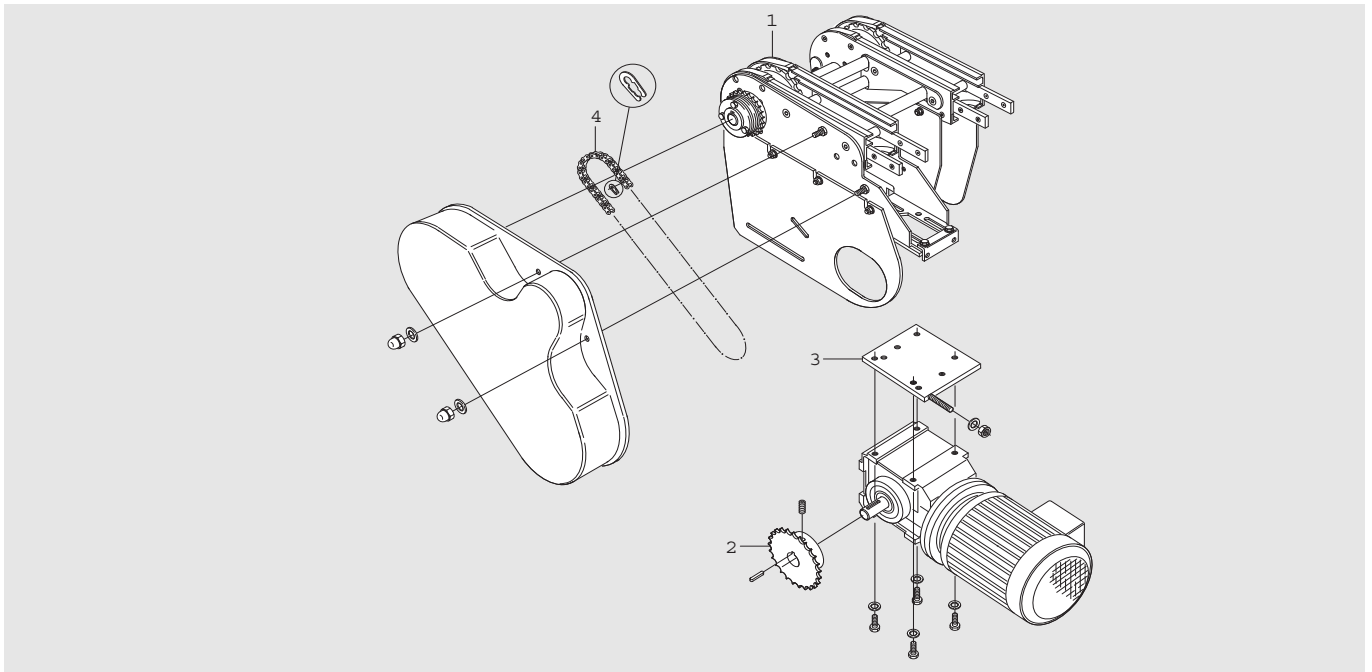


Item	Description	Part No	Qty	Comments	Recommended Spare parts
1*	Side plate L	(3920210)	2	See kit below	
2,4	Spare parts kit Steering guide	5051421	2	Cut the guide according to the included instruction	X
3	Drive wheel kit	3926299	1	c/c 106/150–350	X
5*	Side plate R	(3920209)	2	See kit below	
6*	Guide L	(FLX1007085)	2	See kit below	
7	Spacer	3924989	6		
8	Connecting strip	3921123	4		
9*	Guide R	(FLX1007084)	2	See kit below	
*) 1+5	Side plate kit	5111651	1	LH+RH	
*) 6+9	Spare parts kit Guide	5111652	2	LH+RH	X

Double drive unit (c/c 150-350 mm)

Complete unit – XKEB_LD/RD/LAD/RAD-*

For SEW S37 gearmotor



Item	Description	Part No	Qty	Comments	Recommended Spare parts
1	0-unit (left-hand version)	XKEB 0 LD/LAD-	1	See next page for details	
	0-unit (right-hand version)	XKEB 0 RD/RAD-	1	See next page for details	
2	Sprocket wheel 1/2" including grub screw		1	See table below	X
3	Adapter plate including bolts and washers	3924197	1	For SEW S37 gearmotor	
4	Transmission chain 1/2" including connecting link	3921638	1	ISO/R- 1967- 08B- 1 (ISO)	X
	Transmission chain 1/2" including connecting link	5044948	1	ISO/R- 1967- 08A- 1 (ANSI)	X

* The dash (-) indicates a customer specified c/c distance in the range 150 mm to 350 mm.

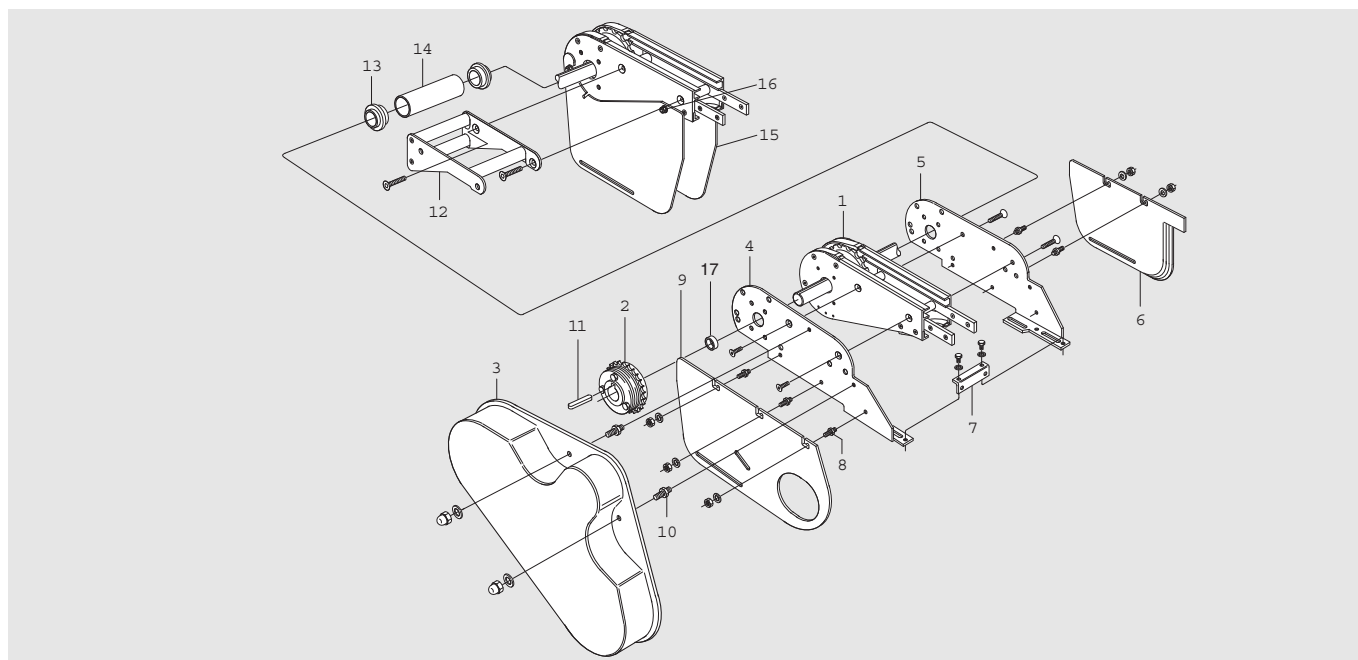
Important

Items 2-4 must be ordered separately when ordering a 0-unit (item 1). The sprocket wheel (item 2) should be specified in accordance with the following table:

Sprocket wheel 1/2"	Part No (SEW)	Shaft diameter
z=19 ISO	3924438	20
z=21 ISO	3924439	20
z=23 ISO	3924440	20
z=25 ISO	3921258	20
z=15 ANSI	5044935	19,05
z=17 ANSI	5044936	19,05
z=19 ANSI	5044937	19,05
z=21 ANSI	5044938	19,05
z=23 ANSI	5044939	19,05
z=25 ANSI	5044940	19,05

Double drive unit (c/c 150-350 mm)

0-unit – XKEB 0 LD/RD/LAD/RAD-*



Item	Description	Part No	Qty	Comments	Recommended Spare parts
1	Basic unit	XKEB 0 HLDU-	1	See Page 14 for details	
	Basic unit	XKEB 0 HRDU-	1	See Page 14 for details	
2	Slip clutch Ø25 mm	5053981	1	ISO	
	-Slip clutch, Spare parts kit	5056817	1	ISO, incl. cup spring, ball, chain wheel.	X
	Slip clutch Ø25 mm	5054000	1	ANSI	
	-Slip clutch, Spare parts kit	5056820	1	ANSI, incl. cup spring, ball, chain wheel.	X
3	Transmission cover	3925068	1		
4	Motor bracket	3925025	1		
5	Motor bracket	3925024	1		
6*	Slack protection	(3925589)	1	See kit below	
7	Adjusting block	3925469	1		
8*	Distance screw M6	(3904862)	9	See kit below	
9*	Slack protection	(3925590)	1	See kit below	
10*	Distance screw M8	(3904855)	2	See kit below	
11	Thin parallel key	DIN 6885A h9	1	8x7x63	
12	Fastener yoke	5046985	1		
13	Bushing	5044695	2		
14	Sleeve	5046977	1		
15	Slack protection	5048340	2		
16	Distance screw	3925718	2		
17	Distance	3925325	1		
*) 6+9	Slack protection kit	5111650	1	LH+RH	
*) 8	Distance screw kit	5111600	1	Kit contains 10 pcs	
*) 10	Distance screw kit	5111599	1	Kit contains 10 pcs	
*) 15	Slack protection kit	5111653	1		

* The dash (-) indicates a customer specified c/c distance in the range 150 mm to 350 mm.

Spare parts Catenary drive unit - XK

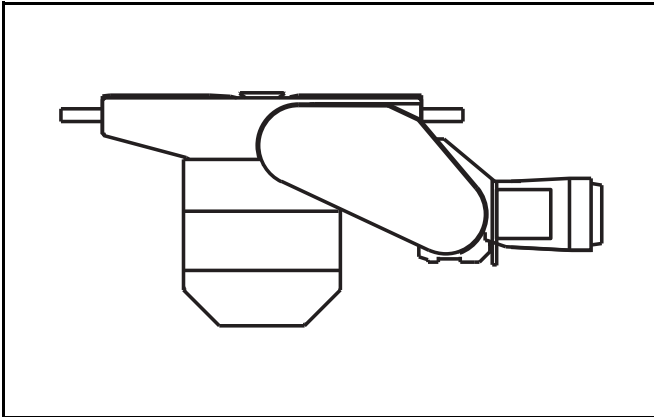


a coesia company

XK003-E11

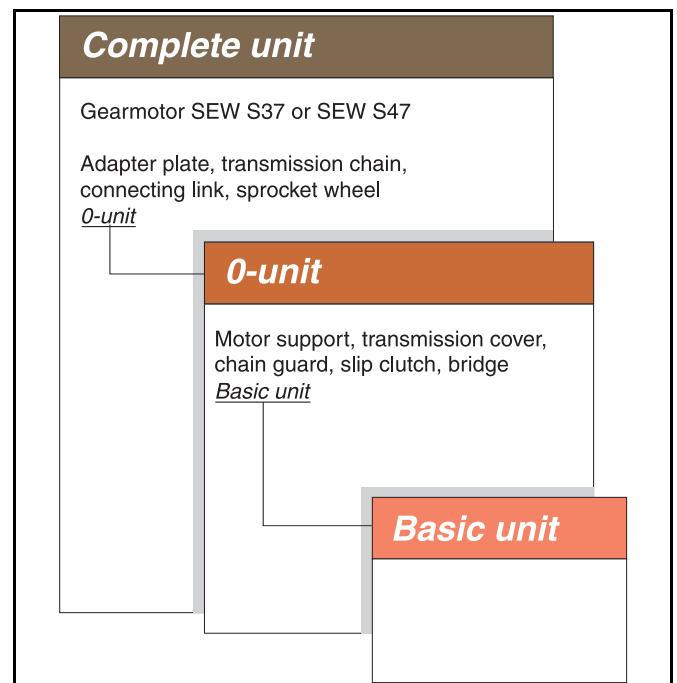
Technical information from FlexLink

Catenary drive unit - XK



Revision list

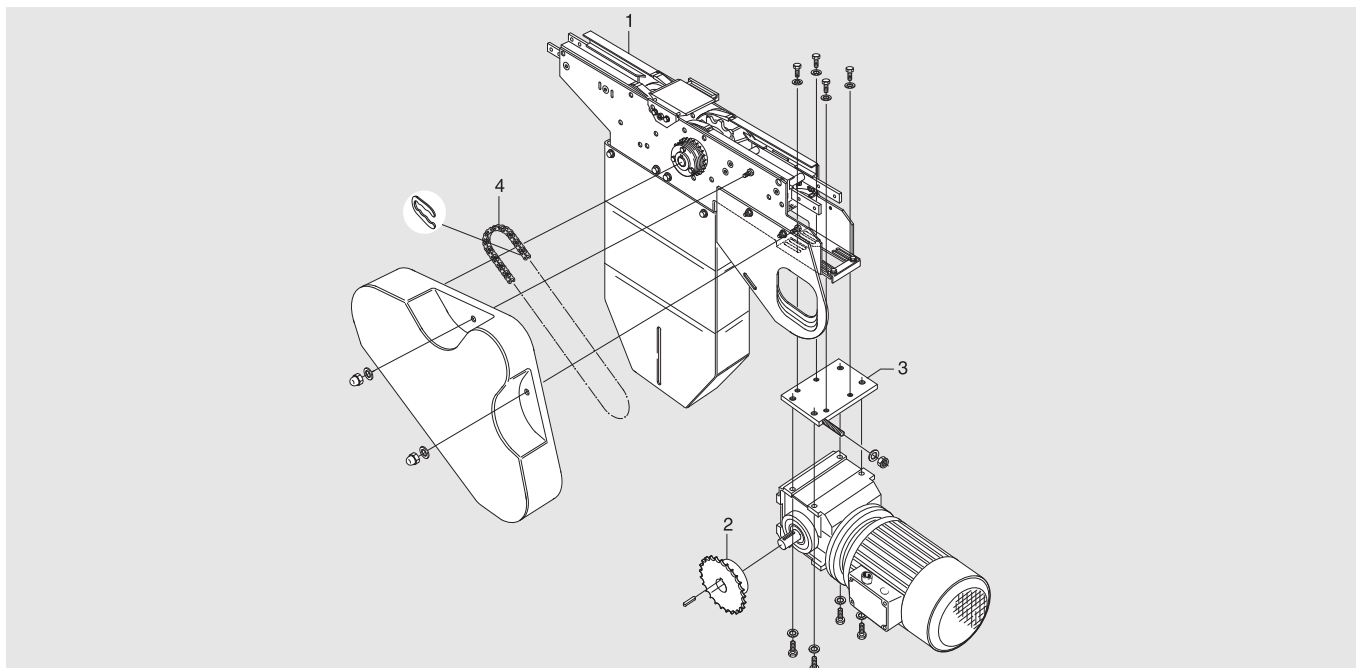
Document designation	Date	Type of revision	Entered by
XK003-E1	98-10-14	New version	Enator Inforum
XK003-E2	00-05-15	P4-5 Part No changed	Aerotech Telub
XK003-E3	08-05-06	P. 3+7 item 16 Part No changed	BS
XK003-E4	08-10-23	Spare part kits added	JE
XK003-E5	09-03-19		JE
XK003-E6	10-02-16	Slip clutch SPkit, deleted	JE
XK003-E7	10-06-23	Added new col.	JE
XK003-E8	15-02-23	Update BOM p.20	KR
XK003-E9	19-12-09	Updated sprocket wheel tables	ML
XK003-E10	21-05-05	Updated logo and lists	TG
XK003-E11	25-04-04	Added note for part 5051421. Added side plate kits 5128132 for 3925332 and 5128221 for 3925333.	IR



Catenary drive unit

Complete unit – XKEC_L/R/LA/RA

For SEW S37 gearmotor



Item	Description	Part No	Qty	Comments	Recommended Spare parts
1	0-unit (left-hand version)	XKEC 0 L/LA	1	See next page for details	
	0-unit (right-hand version)	XKEC 0 R/RA	1	See next page for details	
2	Sprocket wheel 1/2" including grub screw		1	See table below	X
3	Adapter plate including bolts and washers	3924197	1	For SEW S37 gearmotor	
4	Transmission chain 1/2" including connecting link	3921638	1	ISO/R- 1967- 08B- 1 (ISO)	X
	Transmission chain 1/2" including connecting link	5044948	1	ISO/R- 1967- 08A- 1 (ANSI)	X

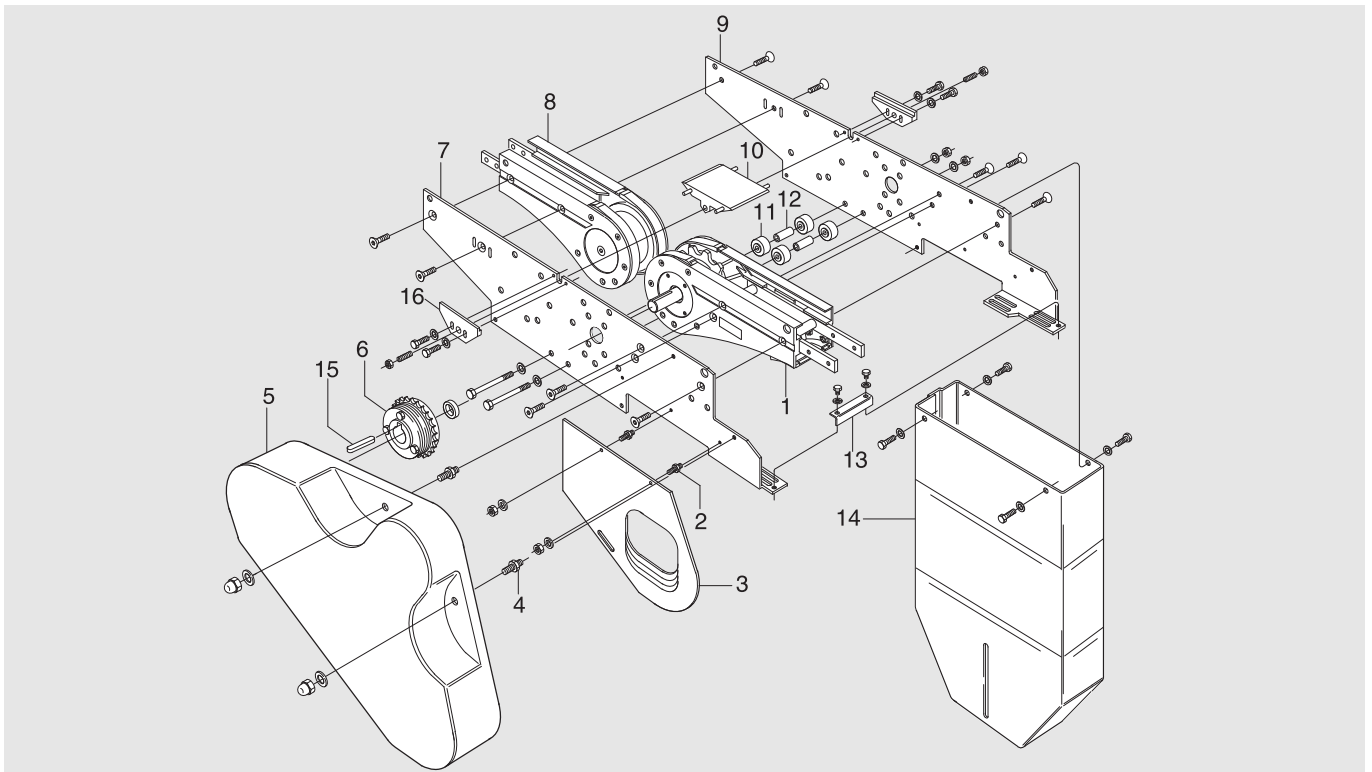
Important

Items 2-4 must be ordered separately when ordering a 0-unit (item 1). The sprocket wheel (item 2) should be specified in accordance with the following table:

Sprocket wheel 1/2"	Part No (SEW)	Shaft diameter
z=19 ISO	3924438	20
z=21 ISO	3924439	20
z=23 ISO	3924440	20
z=25 ISO	3921258	20
z=15 ANSI	5044935	19,05
z=17 ANSI	5044936	19,05
z=19 ANSI	5044937	19,05
z=21 ANSI	5044938	19,05
z=23 ANSI	5044939	19,05
z=25 ANSI	5044940	19,05

Catenary drive unit

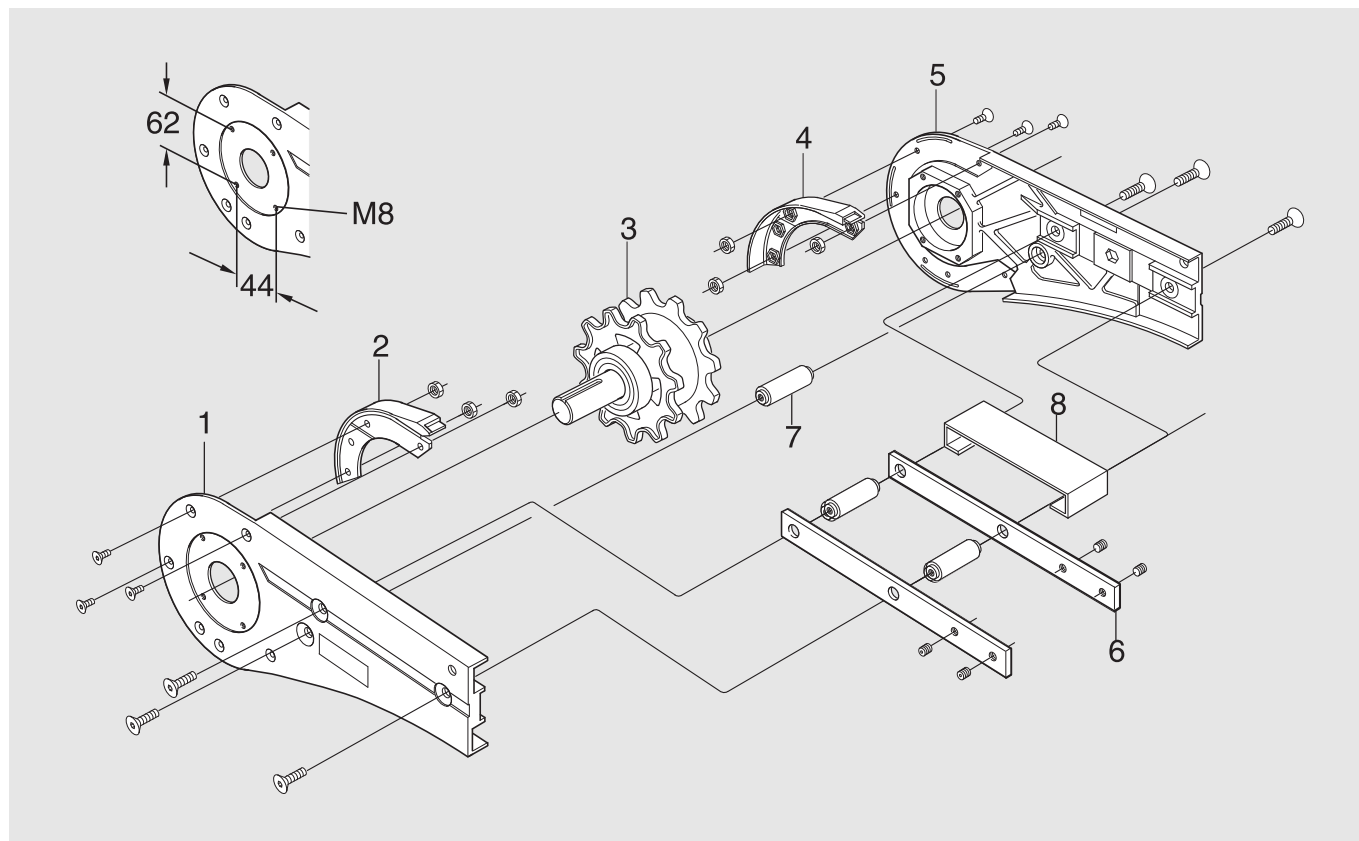
0-unit – XKEC 0 L/R/LA/RA



Item	Description	Part No	Qty	Comments	Recommended Spare parts
1	Basic unit (left-hand version)	3925333	1	See next page for details	
	Basic unit (right-hand version)	3925334	1	See next page for details	
2*	Distance screw	(3904862)	2	See kit below	
3	Chain guard	3925069	1		
4*	Distance screw	(3904855)	2	See kit below	
5	Transmission cover	3925068	1		
6	Slip clutch Ø25 mm	5053981	1	ISO	
	-Slip clutch, Spare parts kit	5056817	1	ISO, incl. cup spring, ball, chain wheel.	X
6	Slip clutch Ø25 mm	5054000	1	ANSI	
	-Slip clutch, Spare parts kit	5056820	1	ANSI, incl. cup spring, ball, chain wheel.	X
7	Motor bracket L	3925027	1		
8	Idler unit	3925332	1	See page 5 for details	
9	Motor bracket R	3925028	1		
10	Bridge	3905610	1		
11	Support ruller	3920087	4		
12	Distance pipe	3920010	2		
13	Adjusting block	3924287	1		
14	Cover	3925336	1		
15	Thin parallel key	DIN 6885A h9	1	8x7x63	
16	Adjustment plate	5043154	2		
*) 2	Distance screw kit	5111600	1	Kit contains 10 pcs	
*) 4	Distance screw kit	5111599	1	Kit contains 10 pcs	

Catenary drive unit

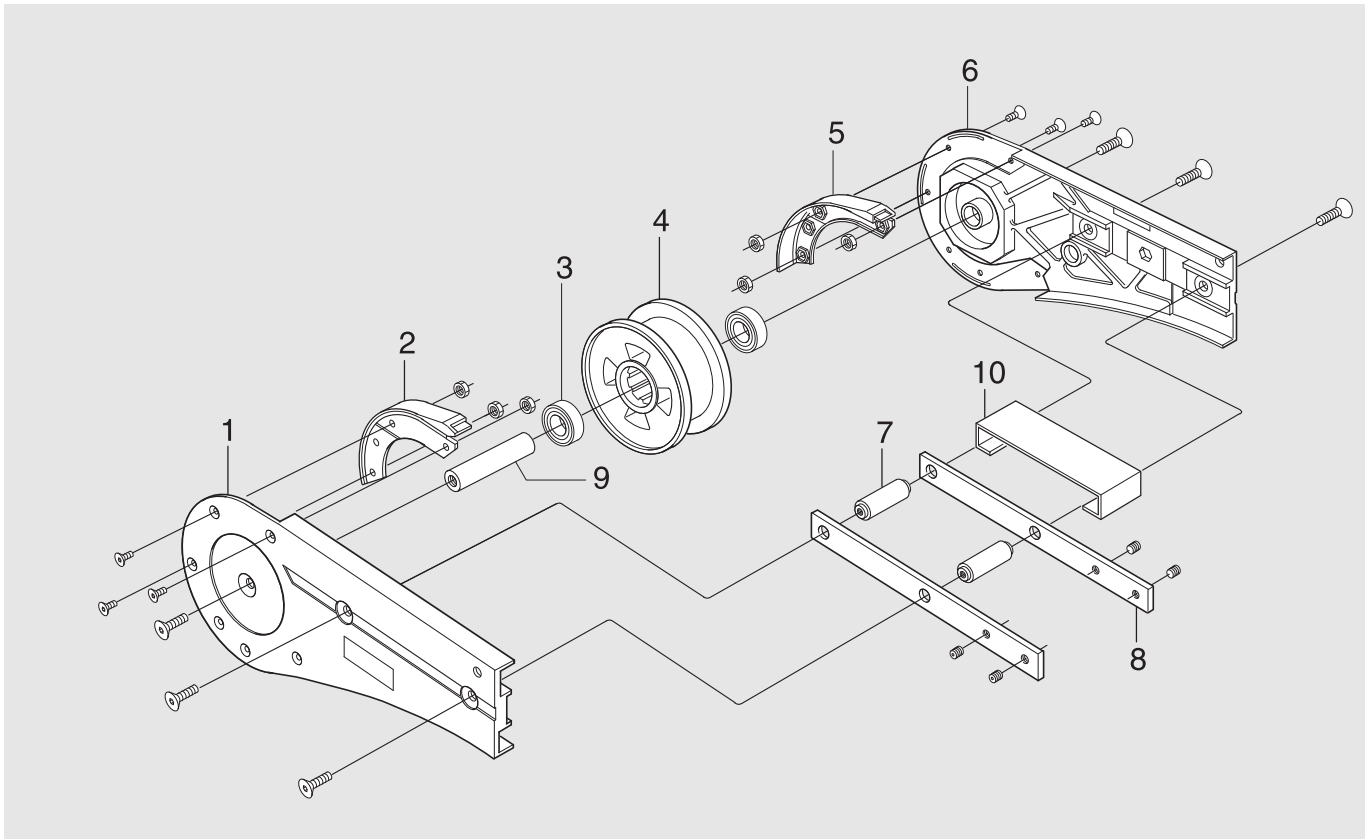
Basic unit – 3925333



Item	Description	Part No	Qty	Comments	Recommended Spare parts
1	Side plate L	3925067	1		
2, 4	Spare parts kit Steering guide	5051421	2	Cut the guide according to included instruction	X
3	Drive wheel kit	5116503	1	Including wheel, shaft, wedge and bearing	X
5	Side plate R	3925066	1		
6	Connecting strip	3921123	2		
7	Spacer	3924989	3		
8	Cover plate	3925029	1		
*)1+5	Side plate kit	5128221	1	Kit includes L + R	

Catenary drive unit

Idler unit – 3925332

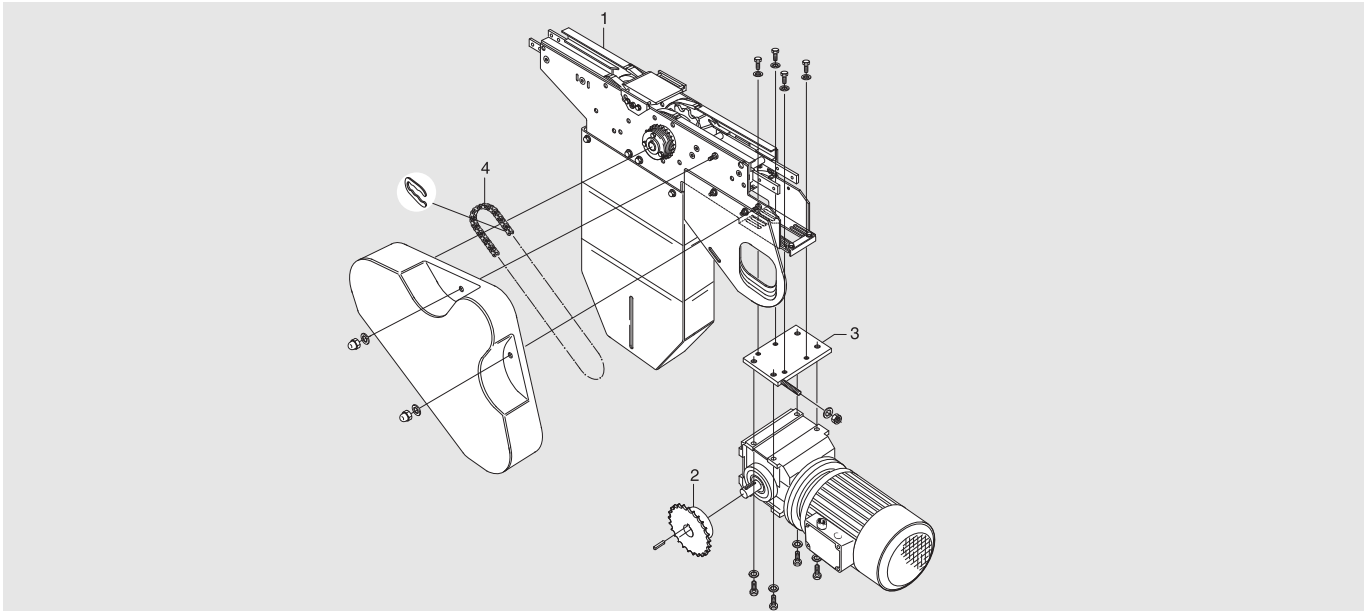


Item	Description	Part No	Qty	Comments	Recommended Spare parts
1	Side plate R	3920208	1		
2, 5	Spare parts kit Steering guide	5051421	2	Cut the guide according to included instruction	X
3	Bearing	6202-2Z	2		
4	Wheel	5111648	1	(3924757)	X
6	Side plate L	3920207	1		
7	Spacer	3924989	2		
8	Connecting strip	3921123	2		
9	Shaft	3925001	1		
10	Cover plate	3925029	1		
*)1+6	Side plate kit	5128132	1	Kit includes L + R	

Catenary drive unit, heavy-duty

Complete unit – XKEC_HL/HR/HLA/HRA

For SEW S47 gearmotor



Item	Description	Part No	Qty	Comments	Recommended Spare parts
1	0-unit (left-hand version)	XKEC 0 HL/HLA	1	See next page for details	
	0-unit (right-hand version)	XKEC 0 HR/HRA	1	See next page for details	
2	Sprocket wheel 5/8" including grub screw		1	See table below	X
3	Adapter plate including bolts and washers, reinforcement plate	3925035	1	For SEW S47 gearmotor	
4	Transmission chain 5/8" incl. connecting link	3925957	1	ISO/R- 1967- 08B- 1 (ISO)	X
	Transmission chain 5/8" incl. connecting link	5044980		ISO/R- 1967- 08A- 1 (ANSI)	X

Important

Items 2-4 must be ordered separately when ordering a 0-unit (item 1). The sprocket wheel (item 2) should be specified in accordance with the following table:

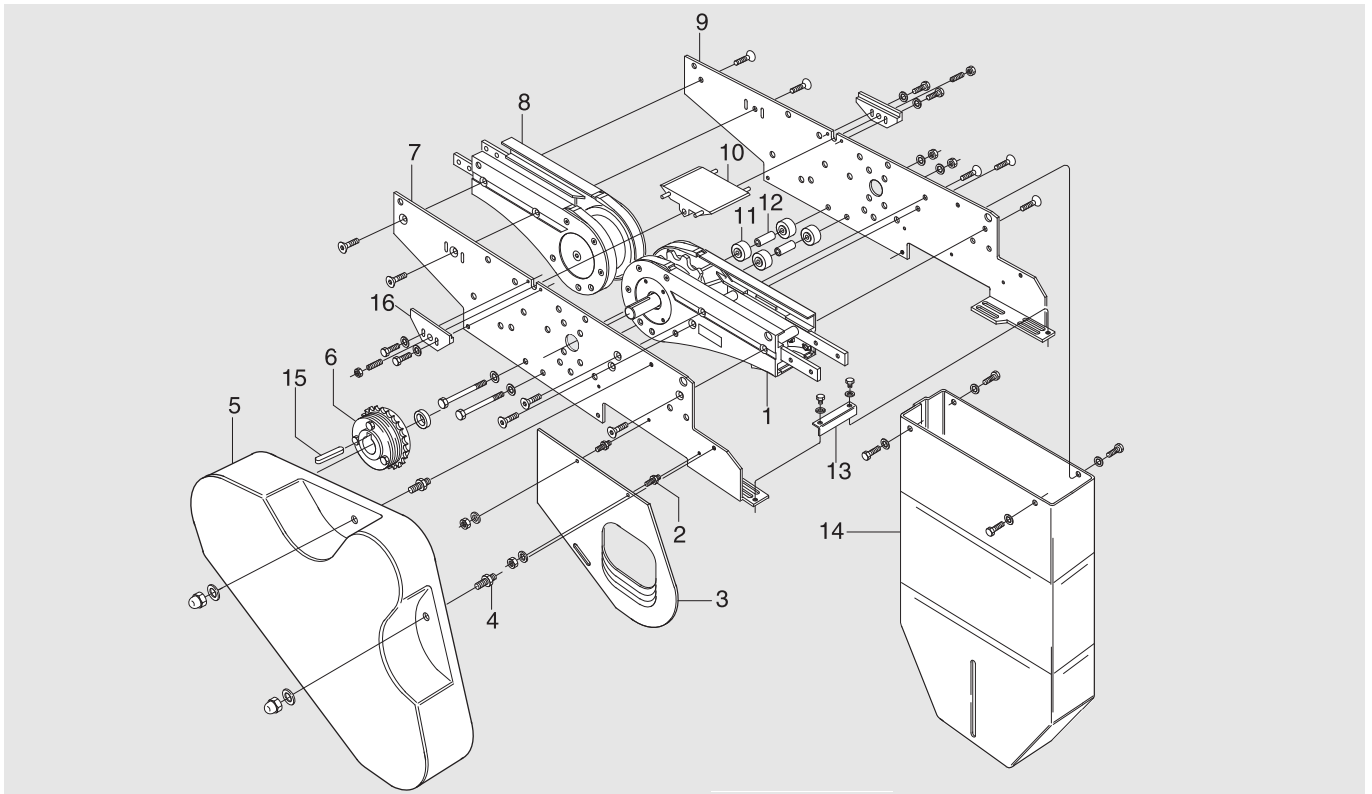
Sprocket wheel 5/8"	Part No (SEW)	Shaft diameter
z=15 ANSI	5044972	25,4
z=17 ANSI	5044973	25,4
z=19 ANSI	5044974	25,4
z=21 ANSI	5044975	25,4
z=23 ANSI	5044976	25,4
z=25 ANSI	5044977	25,4
z=17 ISO	3925260	25
z=19 ISO	3925261	25
z=21 ISO	3925262	25
z=23 ISO	3925263	25
z=25 ISO	3925264	25

Adapter Plate

Item 3 (adapter plate) includes an adapter plate reinforcement plate and two reinforcement strips for the connection of the drive unit to the conveyor beam.

Catenary drive unit, heavy-duty

0-unit – XKEC 0 HL/HR/HLA/HRA



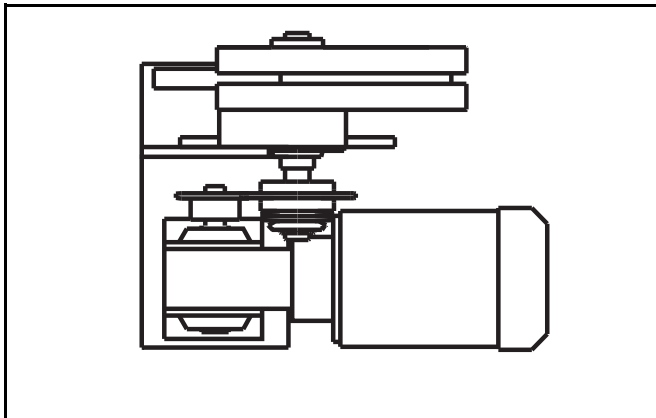
Item	Description	Part No	Qty	Comments	Recommended Spare parts
1	Basic unit (left-hand version)	3925333	1	See Page 20 for details	
	Basic unit (right-hand version)	3925334	1	See Page 20 for details	
2*	Distance screw	(3904862)	2	See kit below	
3	Chain guard	3925069	1		
4*	Distance screw	(3904855)	2	See kit below	
5	Transmission cover	3925068	1		
6	Slip clutch Ø25 mm	5054001	1	ISO, 5/8"	X
	Slip clutch Ø25 mm	5054002	1	ANSI, 5/8"	X
7	Motor bracket L	3925027	1		
8	Idler unit	3925332	1	See Page 21 for details	
9	Motor bracket R	3925028	1		
10	Bridge	3905610	1		
11	Wheel	3920087	4		
12	Distance pipe	3920010	2		
13	Adjusting block	3924287	1		
14	Cover	3925336	1		
15	Thin parallel key	DIN 6885A h9	1	8x7x63	
16	Adjustment plate	5043154	2		
*) 2	Distance screw kit	5111600	1	Kit contains 10 pcs	
*) 4	Distance screw kit	5111599	1	Kit contains 10 pcs	

Spare parts horizontal bend drive unit - XK

Technical information from FlexLink

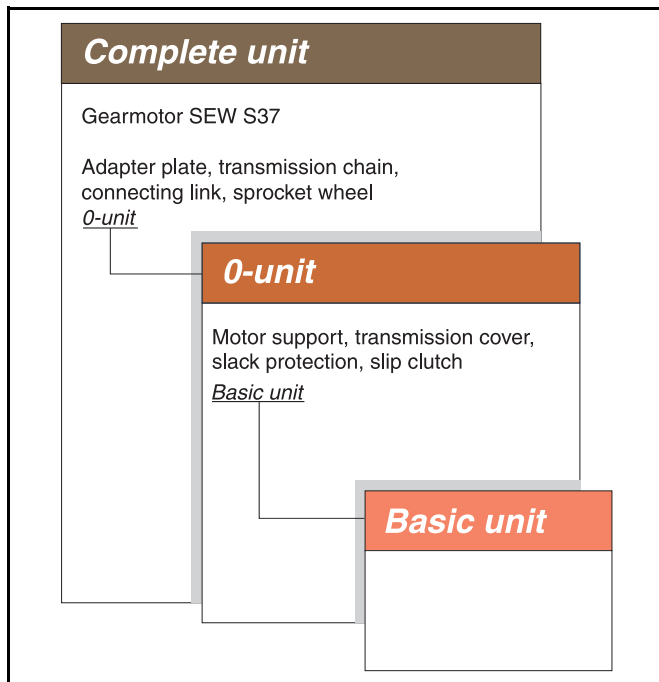
XK004-E3

Horizontal bend drive unit - XK



Revision list

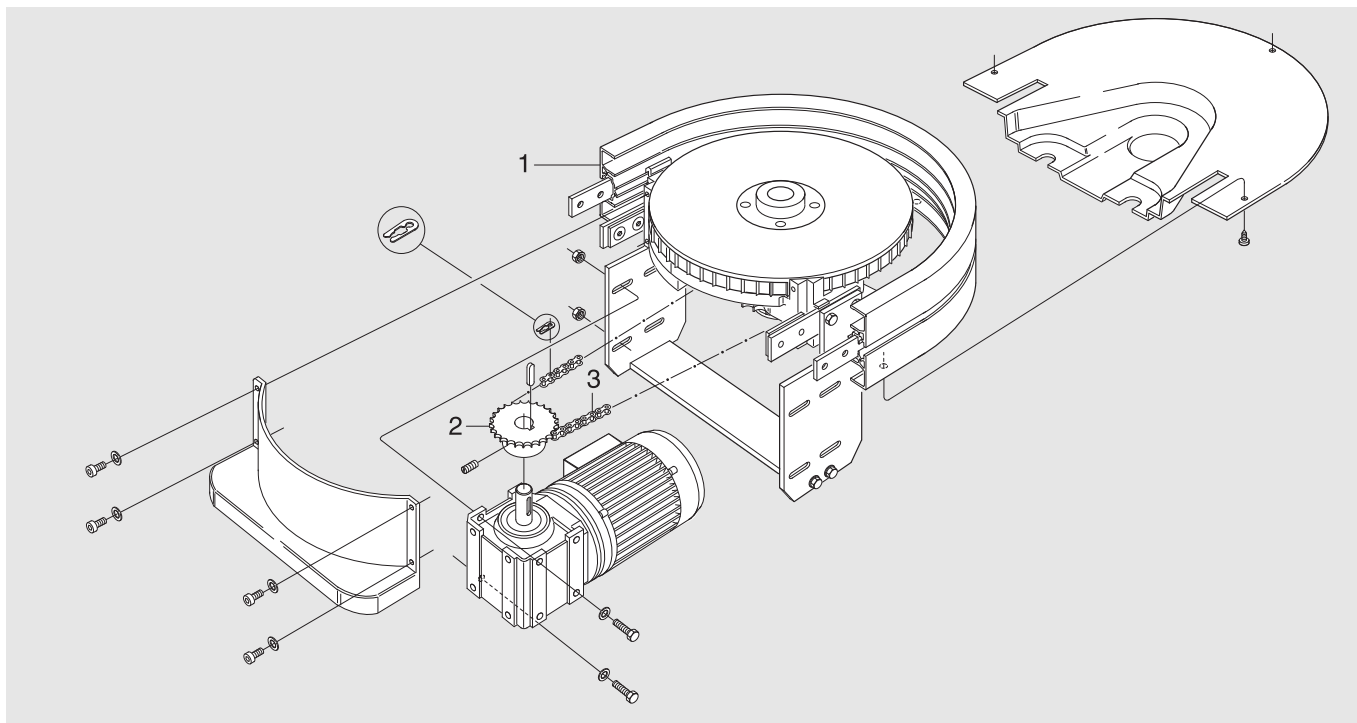
Document designation	Date	Type of revision	Entered by
XK004-E1	98-10-14	New version	Enator Inforum
XK004-E2	09-12-09	Updated sprocket wheel table	ML
XK004-E3	21-05-05	Updated logo and lists	TG



Horizontal bend drive unit

Complete unit – XKEW 180/_H/HA

For SEW S37 gearmotor



Item	Description	Part No	Qty	Comments	Recommended Spare parts
1	0-unit	XKEW 180/0 H/HA	1	See next page for details	
2	Sprocket wheel 1/2" including grub screw		1	See table below	X
3	Transmission chain 1/2" including connecting link	3921638	1	ISO/R- 1967- 08B- 1 (ISO)	X
	Transmission chain 1/2" including connecting link	5044948	1	ISO/R- 1967- 08A- 1 (ANSI)	X

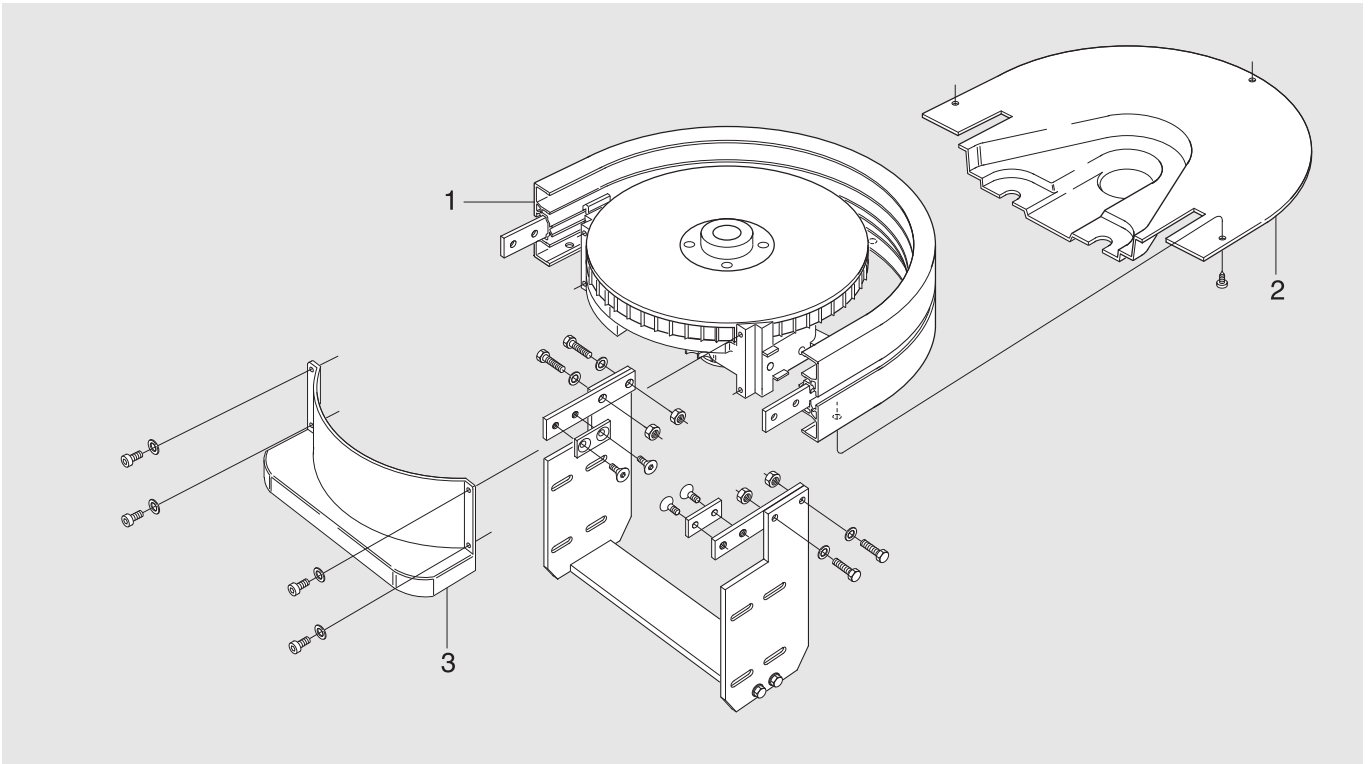
Important

Items 2-4 must be ordered separately when ordering a 0-unit (item 1). The sprocket wheel (item 2) should be specified in accordance with the following table:

Sprocket wheel 1/2"	Part No (SEW)	Shaft diameter
z=19 ISO	3924438	20
z=21 ISO	3924439	20
z=23 ISO	3924440	20
z=25 ISO	3921258	20
z=15 ANSI	5044935	19,05
z=17 ANSI	5044936	19,05
z=19 ANSI	5044937	19,05
z=21 ANSI	5044938	19,05
z=23 ANSI	5044939	19,05
z=25 ANSI	5044940	19,05

Horizontal bend drive unit

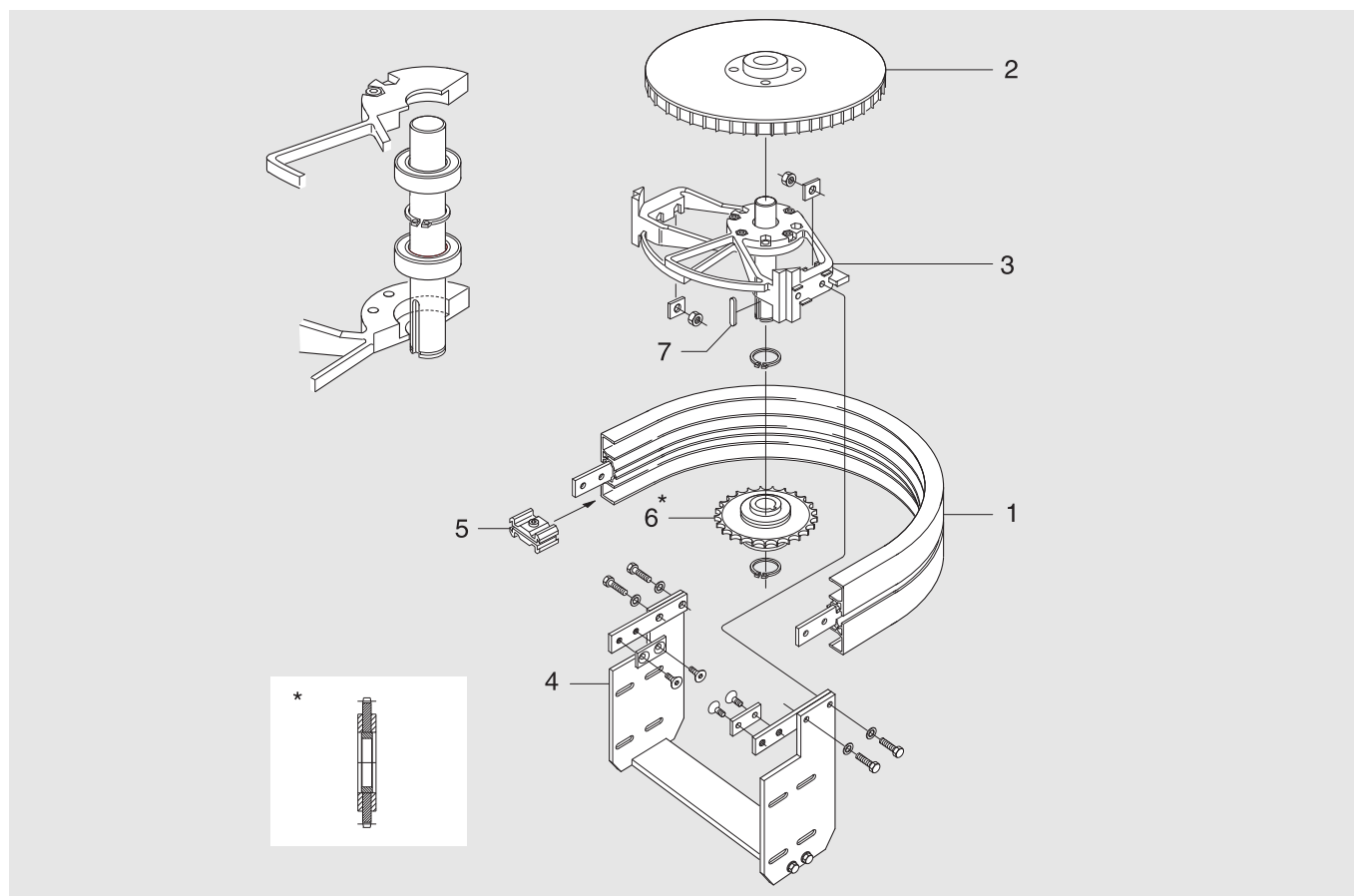
0-unit – XHEW 180/0 H/HA



Item	Description	Part No	Qty	Comments	Recommended Spare parts
1	Basic unit	XKEW 180/0 U	1	See next page for details	
2	Transmission cover	3925869	1		
3	Cover	3925868	1		

Horizontal bend drive unit

Basic unit – XKEW 180/0 U

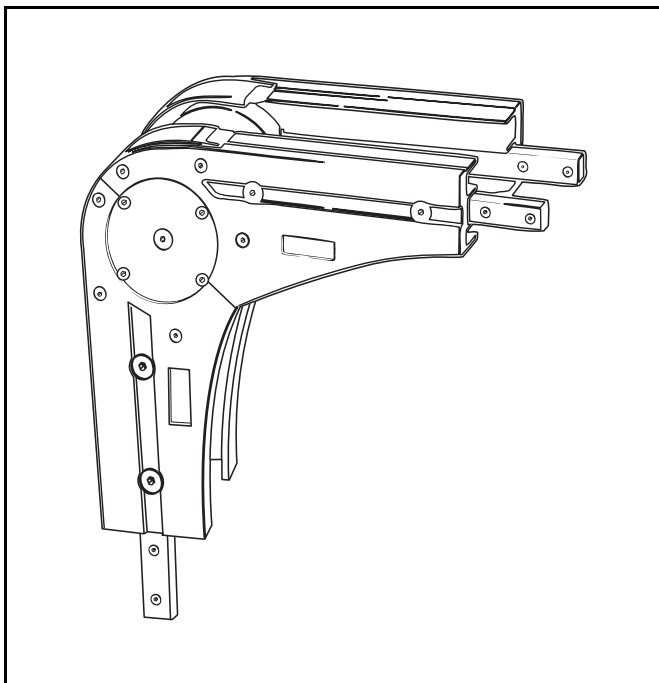
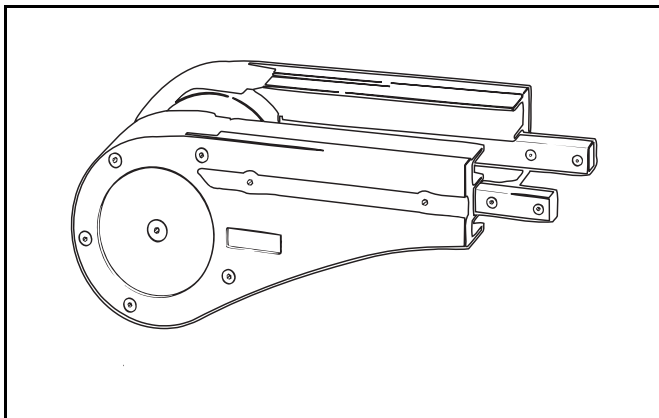


Item	Description	Part No	Qty	Comments	Recommended Spare parts
1	Outer horizontal bend	XKBE 180R200	1		
2	Drive wheel	3925764	1		X
3	Bracket	3925995	1	Including shaft and bearing	
4	Motor bracket	3925996	1		
5	Joint piece	XKCE 55x30	2		
6	Slip clutch	5053981	1		X
7	Thin parallel key	DIN 6885 A h9	1	8x7x50	
* Spare part kits for slip clutch with friction discs:					X
	Sprocket wheel, bushing and friction discs	5056817	1		

Spare parts Idler unit - XK

Technical information from FlexLink

Idler unit - XK

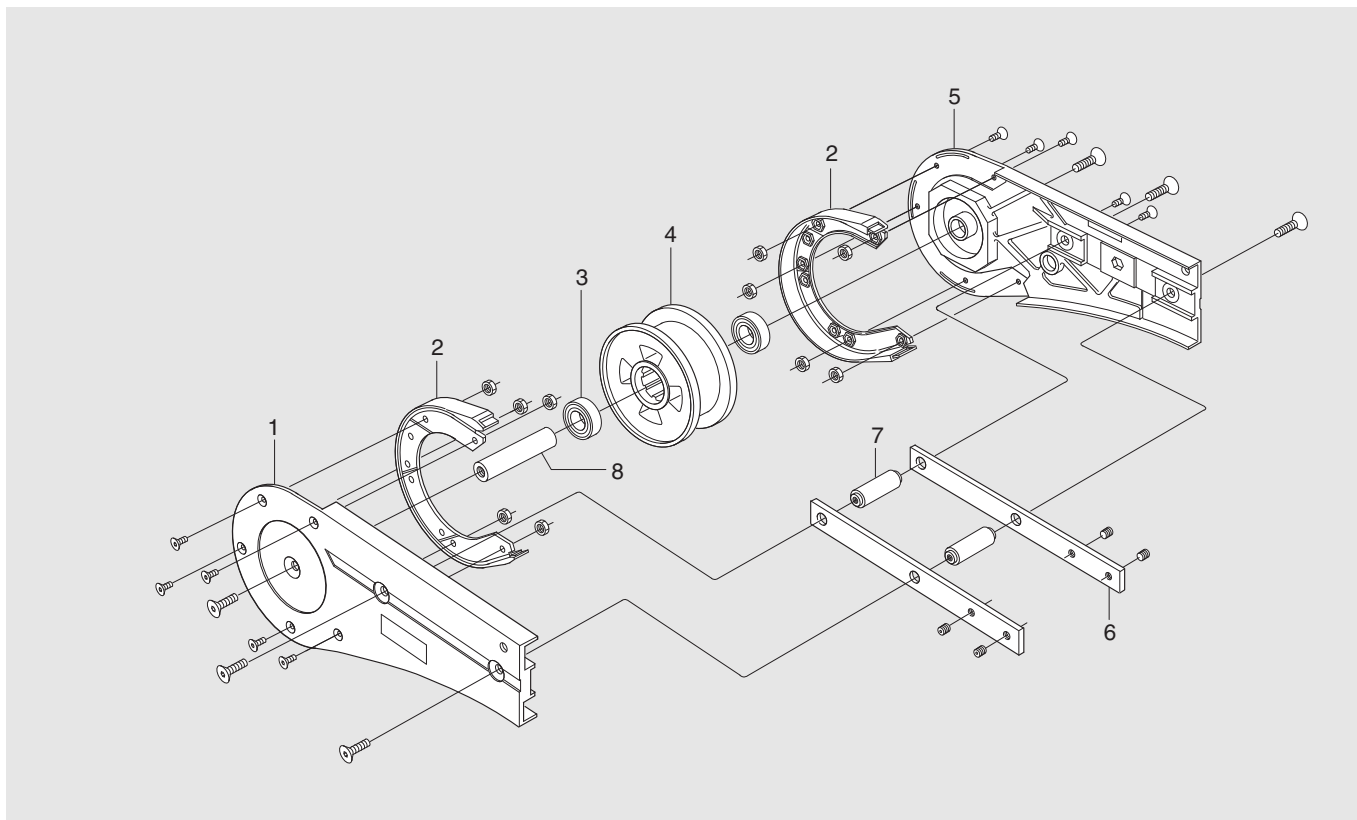


Revision list

Document designation	Date	Type of revision	Entered by
XK005-E1	98-10-14	New version	Enator Inforum
XK005-E2	00-05-15	P. 3 Part No changed	AerotechTelub
XK005-E3	08-10-23	Spare part kits added	JE
XK005-E4	09-03-19		JE
XK005-E5	10-02-12	Page 2 updated	JE
XK005-E6	21-05-05	Updated logo	TG
XK005-E7	25-04-04	Added note for part 5051421 for XKEK 90R70	IR

Idler unit

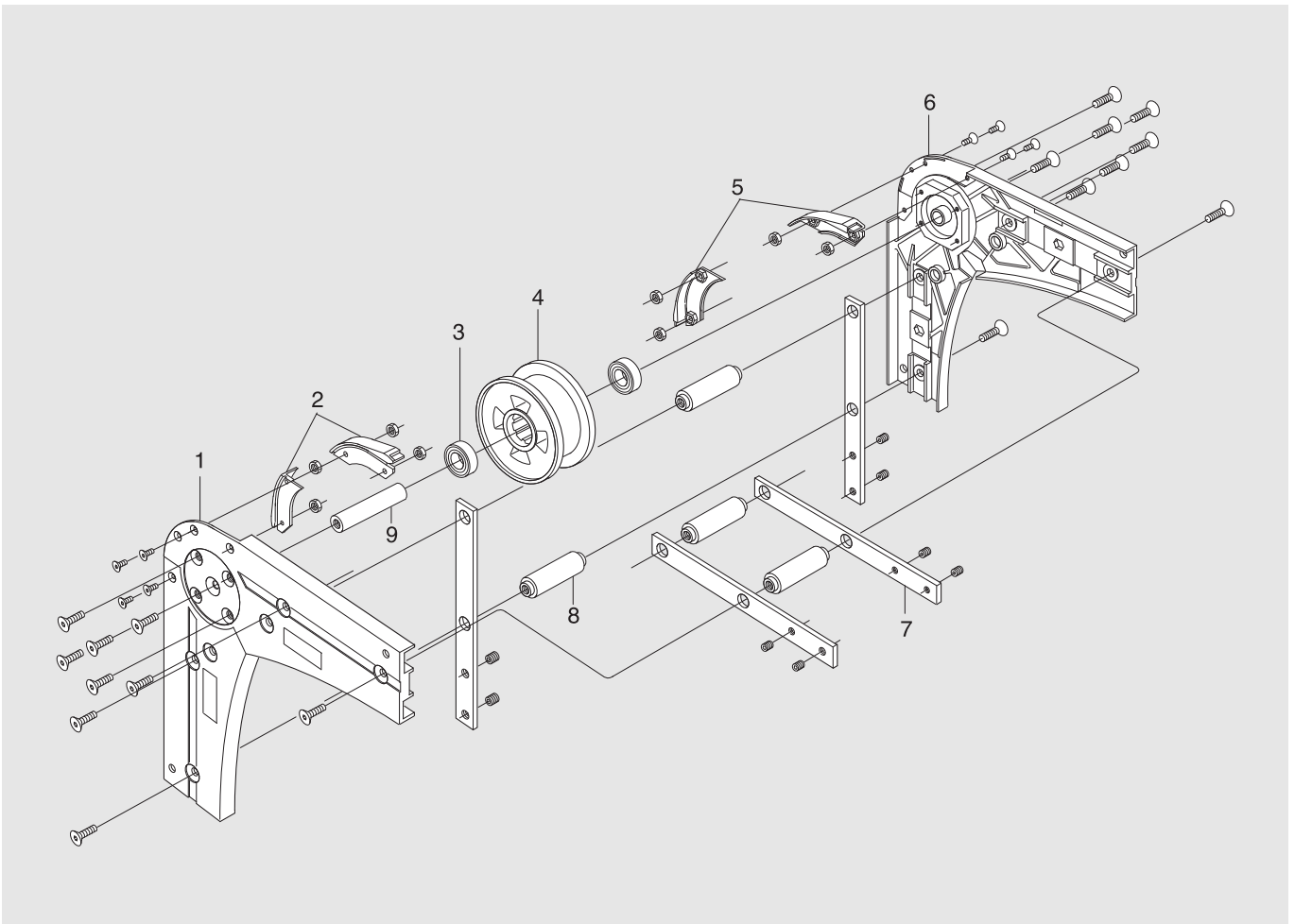
Idler end unit – XKEJ 350



Item	Description	Part No	Qty	Comments	Recommended Spare parts
1	Side plate R	3920208	1		
2	Steering guide	5051421	2		X
3	Bearing	6202-2Z	2		
4	Idler wheel	5111648	1		
5	Side plate L	3920207	1		
6	Connecting strip	3921123	2		
7	Spacer	3924989	2		
8	Shaft	3925001	1		

Idler unit

Idler bend unit – XKEK 90R70

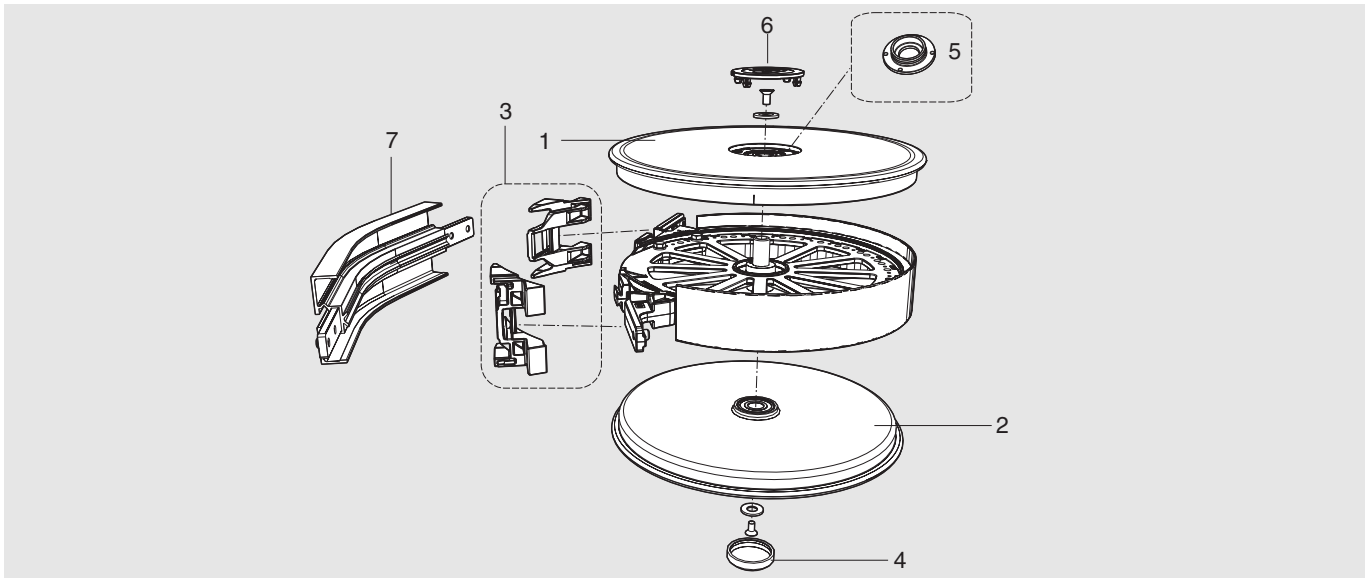


Item	Description	Part No	Qty	Comments	Recommended Spare parts
1	Side plate R	3925863	1		
2, 5	Spare parts kit Steering guide	5051421	2	Cut the guide according to included instruction	X
3	Bearing	6202-2Z	2		
4*	Wheel	(3924757)	1	See kit below	
6	Side plate L	3925864	1		
7	Connecting strip	3921123	4		
8	Spacer	3924989	4		
9	Shaft	3925001	1		
*) 4	Wheel	5111648	1		X

Spare parts X_BH

Wheel bends XSBH-, XLBH-, XBBH-, XMBH-, XHBH-, XKBH-, XTBH-

Complete wheel bend



Item	Description	Part no							Recommended Spare parts
		XS	XL type A	X85	XM type A	XH type A	XK	XT	
1	Wheel disc* (upper)	3902168	5059247	5059247	5059247	5059247	3924966	5059247	
2	Wheel disc* (lower)	3902168	5059244	5059244	5059244	5059244	3924966	5059244	
3	Guides kit**	n.a.	5059235 (2pcs of 5057693)	5110507 (2pcs of 5059483)	5059236 (2pcs of 5057694)	5059237 (2pcs of 5057695)	n.a.	n.a.	X
4	Wheel cover	3901120	3901120	3901120	3901120	3901120	3901120	3901120	
5	Adapter kit	n.a.	5058559	5058559	5058559	5058559	3925714	5058559	
6	Wheel cover	5057697	5057697	5057697	5057697	5057697	n.a.	5057697	
7	Outer bend	XSBE 30R150	XLBE 30R150	XBBE 30A85R160	XMBE 30R160	XHBE 30R170	XKBE 30R200		
7	Outer bend	XSBE 45R150	XLBE 45R150	XBBE 45A85R160	XMBE 45R160	XHBE 45R170	XKBE 45R200	5048240	
7	Outer bend		XLBE 60R150		XMBE 60R160	XHBE 60R170			
7	Outer bend	XSBE 90R150	XLBE 90R150	XBBE 90A85R160	XMBE 90R160	XHBE 90R170	XKBE 90R200	5048482	
7	Outer bend	XSBE 180R150	XLBE 180R150	XBBE 180A85R160	XMBE 180R160	XHBE 180R170	XKBE 180R200	5048485	
7	Outer bend			XBBE EA85R160					
*	Including bearings								
**	One pair								

This page is intentionally left blank

Pallet diverter, merge and combined divert/merge kits, type A – XK

Technical information from FlexLink

PH005-E4

Revision list

Document designation	Date	Type of revision	Entered by
PH005-E3	11-07-27	VP-FM, Rek SP	JE
PH005-E4	20-05-05	Updated logo and lists	TG

Content:



Pallet merge kits, type A

XKPJ 45 MLA/MRA, XKPJ 45 MLWA/MRWA
XKPJ 90 MLA/MRA, XKPJ 90 MLWA/MRWA



Combined pallet divert/merge kits, type A

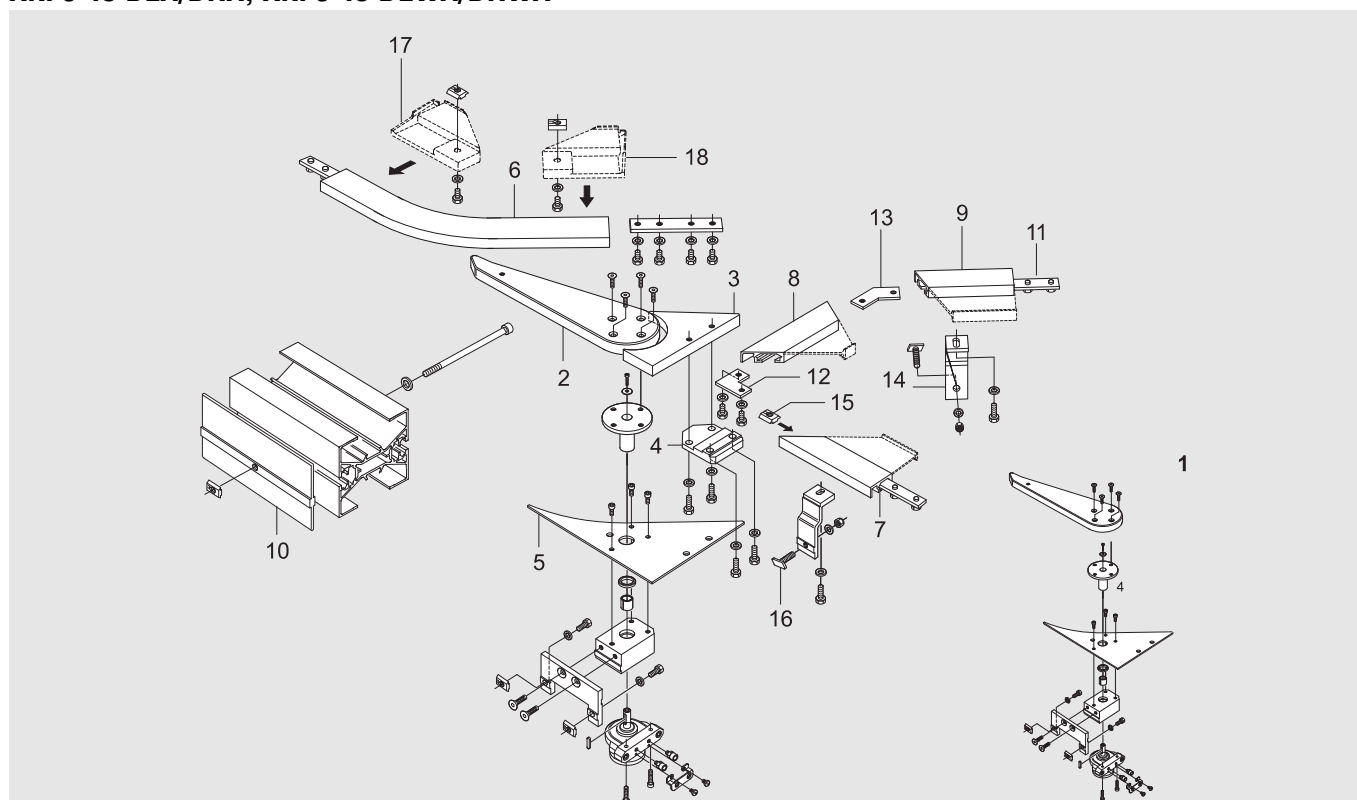
XKPJ 45 CLA/CRA, XKPJ 90 CLWA/CRWA
XKPJ 90 CLA/CRA, XKPJ 90 CLWA/CRWA



D
RA, XKPJ 45 DLWA/DRWA
Diverter XKPJ 90 DLA/DRA, XKPJ 90 DLWA/DRWA

Pallet diverter kits, type A

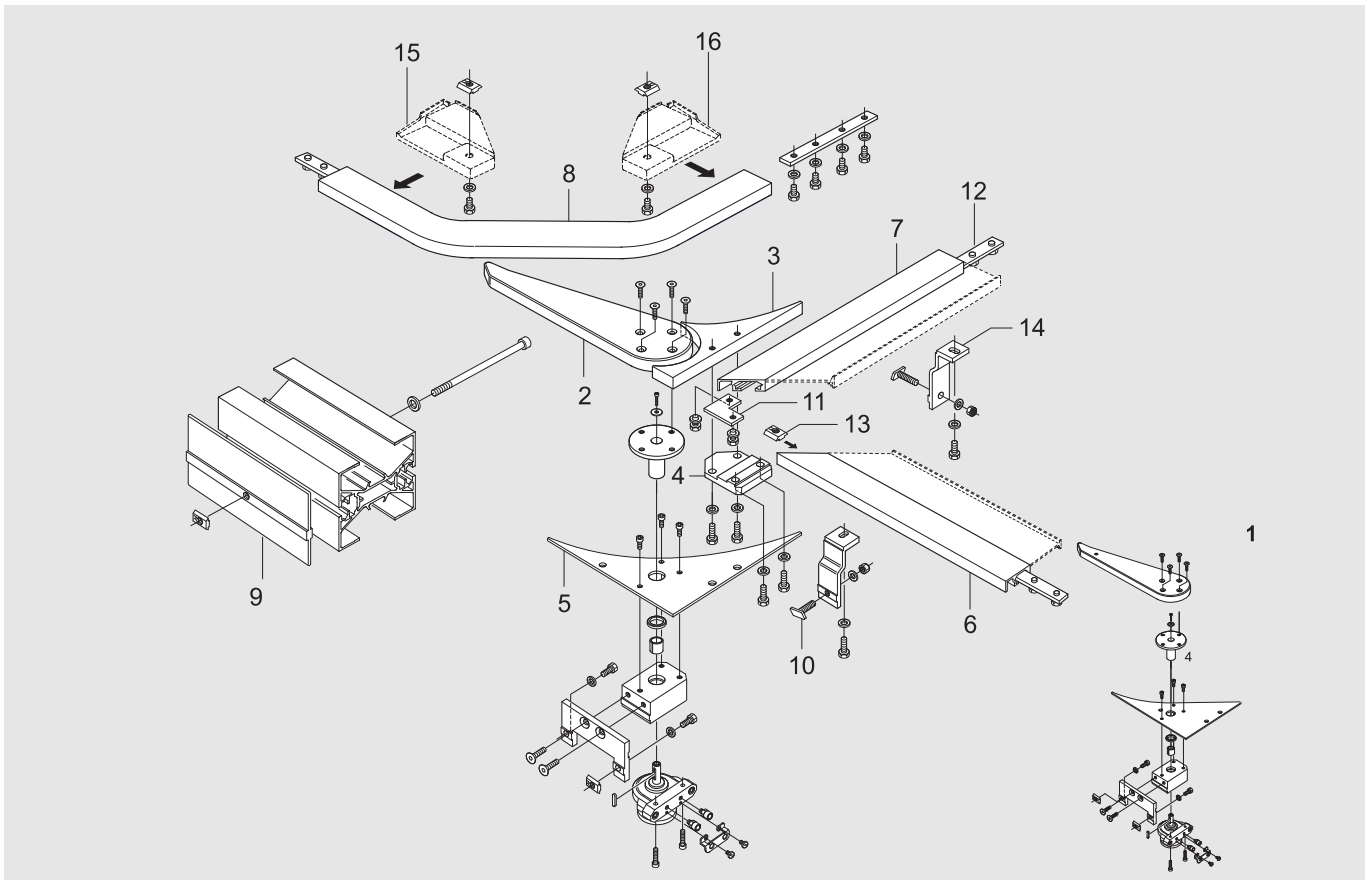
XKPJ 45 DLA/DRA, XKPJ 45 DLWA/DRWA



Item	Description	Part No	Qty	Comments	Recommended Spare parts
1	Revolving module (XKPJ 45 DLA)	5046318	1	Incl. cylinder Festo DSR-16-180-P	X
	Revolving module (XKPJ 45 DRA)	5046319	1	Incl. cylinder Festo DSR-16-180-P	X
2	Arm	5043395	1	Included in item 1	X
3	Side guide	5043800	1		
4	Bracket	5043335	1		
5	Cover	5043854	1	Included in item 1	
6	Inner guide rail	5044647	1		
7	Guide rail (XKPJ 45 DLA/DRA)	5044117/5044116	1		
	Guide rail (XKPJ 45 DLWA/DRWA)	5044663/5044664	1		
8	Guide rail (XKPJ 45 DLA/DRA)	5044121/5044120	1		
	Guide rail (XKPJ 45 DLWA/DRWA)	5044667/5044668	1		
9	Guide rail (XKPJ 45 DLA/DRA)	5044119/5044118	1		
	Guide rail (XKPJ 45 DLWA/DRWA)	5044665/5044666	1		
10	Spacer	5044640	1		
11	Connecting strip	3924977	2		
12	Corner fitting	3903357	1		
13	Corner fitting	3903356	1		
14	Guide rail bracket	XKRB 30x74	2		
15	Nut	XLAQ 8	6		
16	T-bolt	XLAT 17	2		
17	Protective cover L	5044969	1		
18	Protective cover R	5044970	1		

Pallet diverter kits, type A

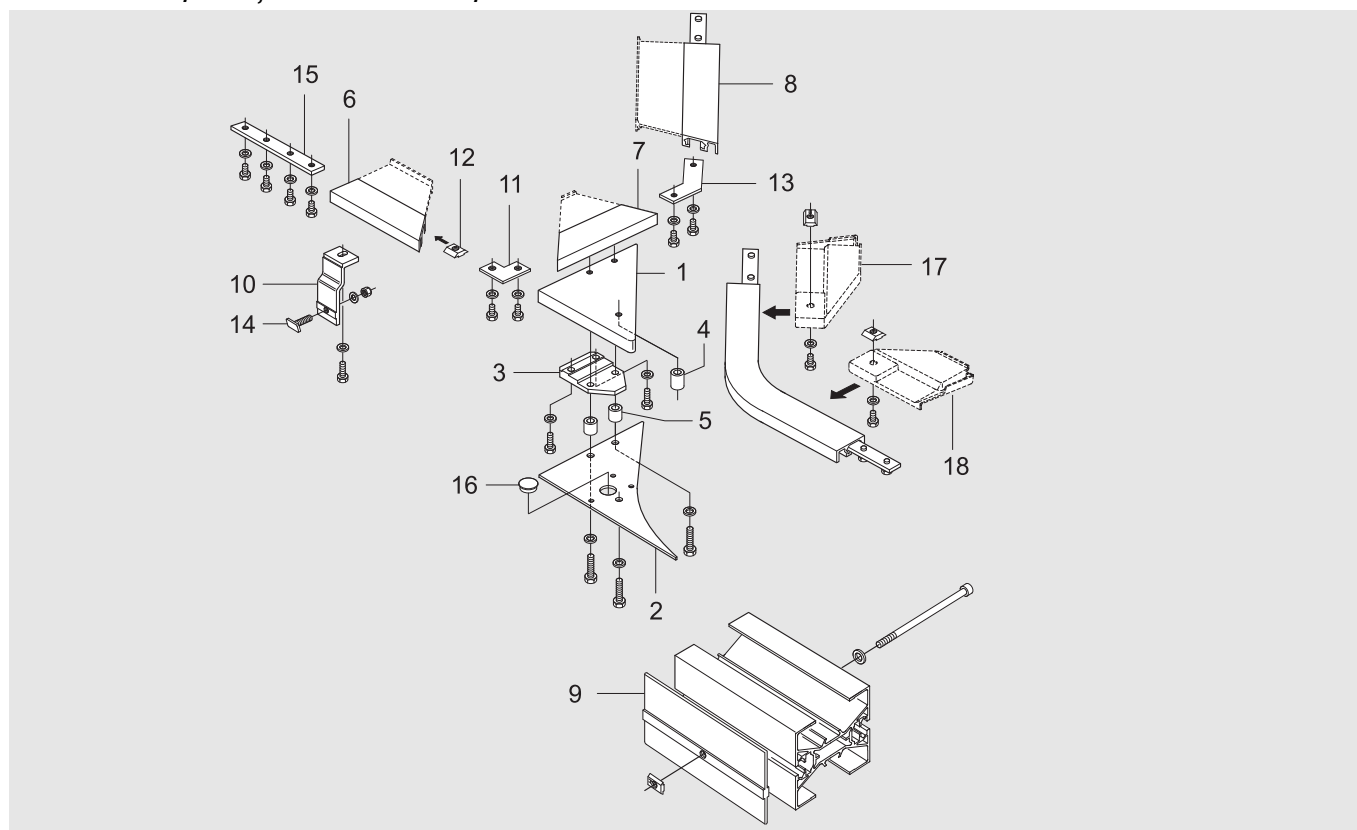
XKPJ 90 DLA/DRA, XKPJ 90 DLWA/DRWA



Item	Description	Part No	Qty	Comments	Recommended Spare parts
1	Revolving module (XKPJ 90 DLA)	5046314	1	Incl. cylinder Festo DSR-16-180-P	X
	Revolving module (XKPJ 90 DRA)	5046315	1	Incl. cylinder Festo DSR-16-180-P	X
2	Arm	5043395	1	Included in item 1	X
3	Side guide	5043336	1		
4	Bracket	5043335	1		
5	Cover	5043855	1	Included in item 1	
6	Guide rail (XKPJ 90 DLA/DRA)	5043332	1		
	Guide rail (XKPJ 90 DLWA/DRWA)	5043334	1		
7	Guide rail (XKPJ 90 DLA/DRA)	5043331	1		
	Guide rail (XKPJ 90 DLWA/DRWA)	5043333	1		
8	Inner guide rail	5044646	1		
9	Spacer	5044640	1		
10	T-bolt	XLAT 17	2		
11	Corner fitting	3903357	1		
12	Connecting strip	3924977	2		
13	Nut	XLAQ 8	6		
14	Guide rail bracket	XKRB 30x74	2		
15	Protective cover L	5044969	1		
16	Protective cover R	5044970	1		

Pallet merge kits, type A

XKPJ 45 MLA/MRA, XKPJ 45 MLWA/MRWA

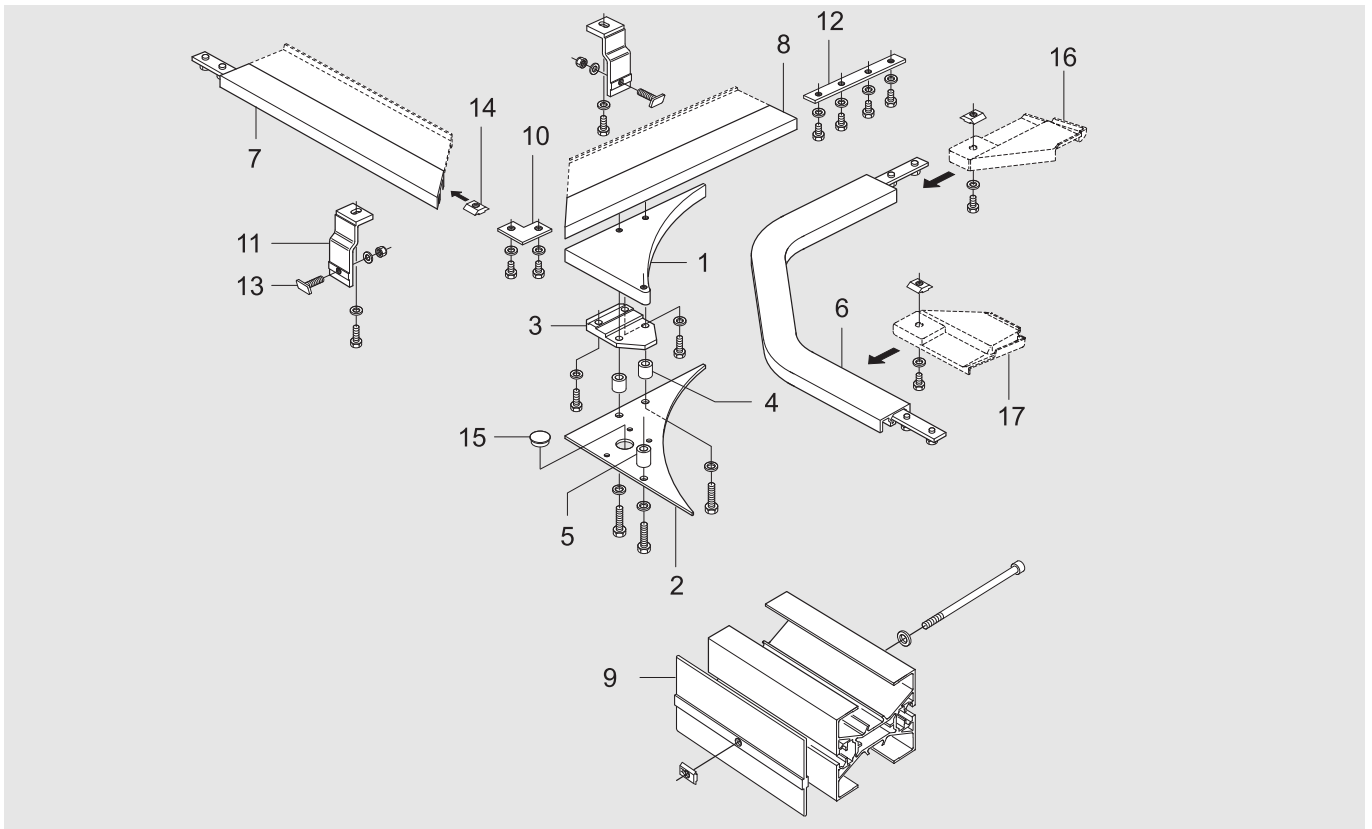


Item	Description	Part No	Qty	Comments	Recommended Spare parts
1	Side guide	5043396	1		
2	Cover	5043854	1		
3	Bracket	5043335	1		
4	Spacer	5046286	1		
5	Spacer	5046289	2		
6	Guide rail (XKPJ 45 MLA/MRA)	5044116/5044117	1		
	Guide rail (XKPJ 45 MLWA/MRWA)	5044664/5044663	1		
7	Guide rail (XKPJ 45 MLA/MRA)	5044120/5044121	1		
	Guide rail (XKPJ 45 MLWA/MRWA)	5044668/5044667	1		
8	Guide rail (XKPJ 45 MLA/MRA)	5044118/5044119	1		
	Guide rail (XKPJ 45 MLWA/MRWA)	5044666/5044665	1		
9	Spacer	5044640	1		
10	Guide rail bracket	XKRB 30x74	2		
11	Corner fitting	3903357	1		
12	Nut	XLAQ 8	6		
13	Corner fitting	3903356	1		
14	T-bolt	XLAT 17	2		
15	Connecting strip	XLCJ 5x140	2		
16	Cover plug	5044771	1		
17	Protective cover L	5044969	1		
18	Protective cover R	5044970	1		

<http://www.flexlink.com>

Pallet merge kits, type A

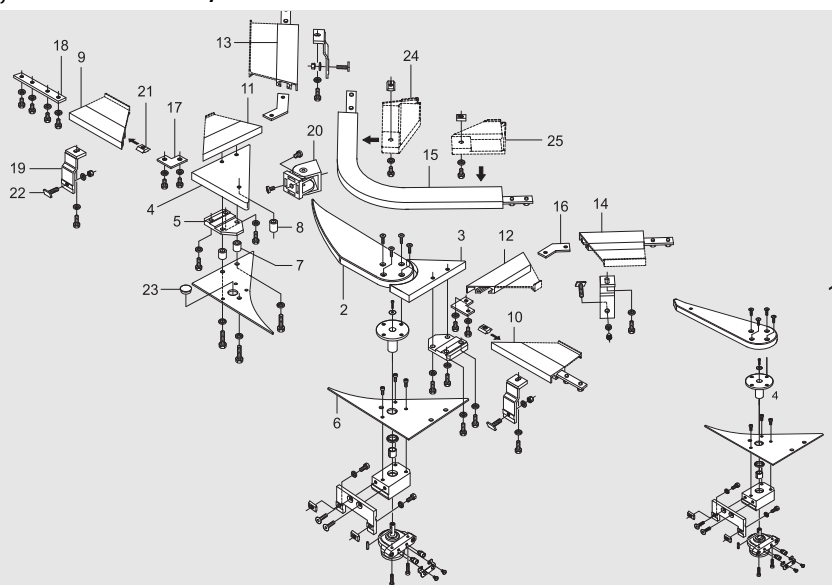
XKPJ 90 MLA/MRA, XKPJ 90 MLWA/MRWA



Item	Description	Part No	Qty	Comments	Recommended Spare parts
1	Side guide	5043337	1		
2	Cover	5043855	1		
3	Bracket	5043335	1		
4	Spacer	5046286	2		
5	Spacer	5046289	1		
6	Inner guide rail	5044646	1		
7	Guide rail (XKPJ 90 MLA/MRA)	5043331	1		
	Guide rail (XKPJ 90 MLWA/MRWA)	5043333	1		
8	Guide rail (XKPJ 90 MLA/MRA)	5043332	1		
	Guide rail (XKPJ 90 MLWA/MRWA)	5043334	1		
9	Spacer	5044640	1		
10	Corner fitting	3903357	1		
11	Guide rail bracket	XKRB 30x74	2		
12	Connecting strip	3924977	2		
13	T-bolt	XLAT 17	2		
14	Nut	XLAQ 8	6		
15	Cover plug	5044771	1		
16	Protective cover L	5044969	1		
17	Protective cover R	5044970	1		

Combined pallet divert/merge kits, type A

XKPJ 45 CLA/CRA, XKPJ 90 CLWA/CRWA

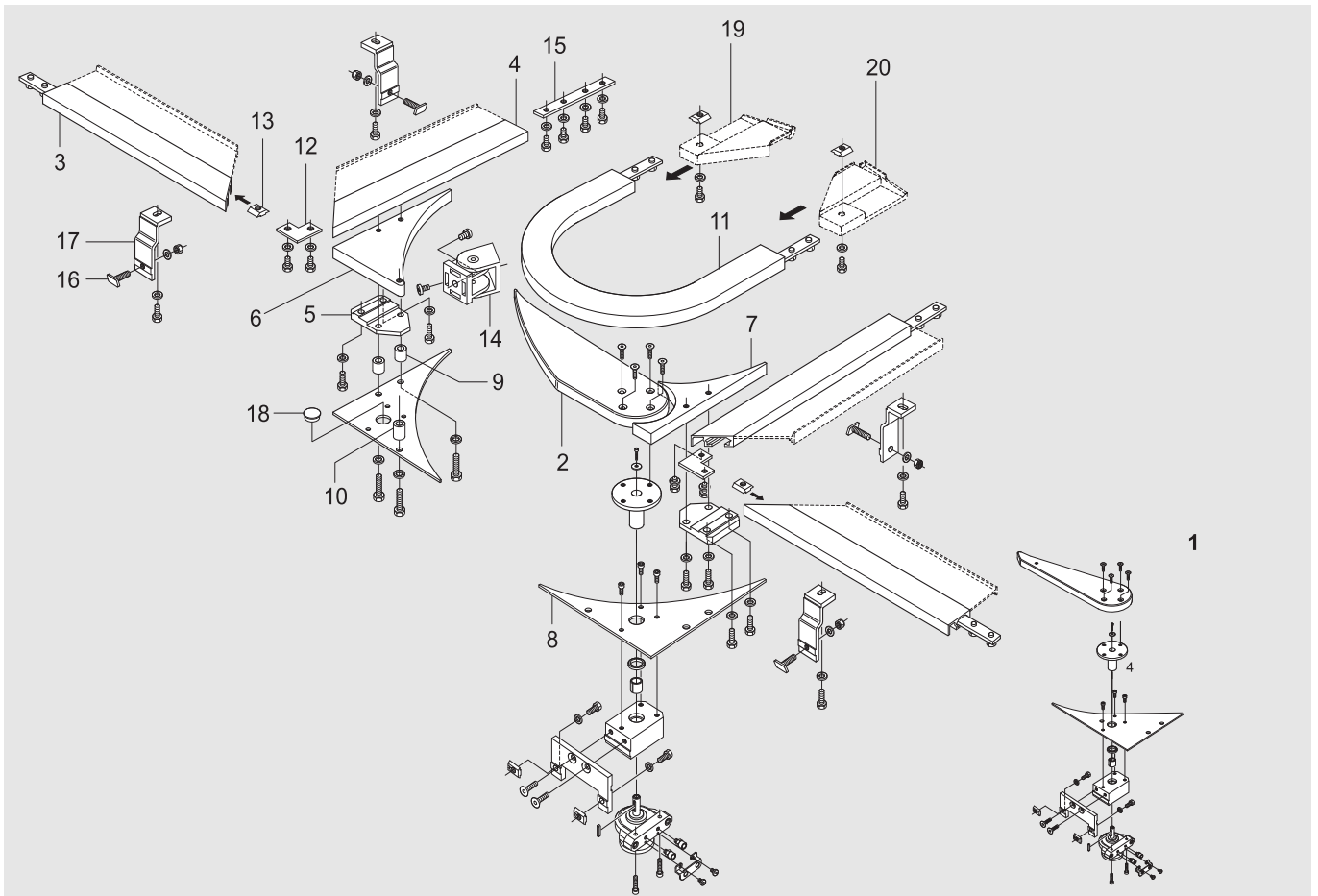


Item	Description	Part No	Qty	Comments	Recommended Spare parts
1	Revolving module (XKPJ 45 CLA)	5046320	1	Incl. cylinder Festo DSR-16-180-P	X
	Revolving module (XKPJ 45 CRA)	5046321	1	Incl. cylinder Festo DSR-16-180-P	X
2	Arm	5043330	1	Included in item 1	X
3	Side guide	5043800	1		
4	Side guide	5043396	1		
5	Bracket	5043335	2		
6	Cover	5043854	2	Included in item 1	
7	Spacer	5046289	2		
8	Spacer	5046286	1		
9	Guide rail (XKPJ 45 CLA/CRA)	5044116	1		
	Guide rail (XKPJ 45 CLWA/CRWA)	5044664	1		
10	Guide rail (XKPJ 45 CLA/CRA)	5044117	1		
	Guide rail (XKPJ 45 CLWA/CRWA)	5044663	1		
11	Guide rail (XKPJ 45 CLA/CRA)	5044120	1		
	Guide rail (XKPJ 45 CLWA/CRWA)	5044667	1		
12	Guide rail (XKPJ 45 CLA/CRA)	5044121	1		
	Guide rail (XKPJ 45 CLWA/CRWA)	5044668	1		
13	Guide rail (XKPJ 45 CLA/CRA)	5044118	1		
	Guide rail (XKPJ 45 CLWA/CRWA)	5044666	1		
14	Guide rail (XKPJ 45 CLA/CRA)	5044119	1		
	Guide rail (XKPJ 45 CLWA/CRWA)	5044665	1		
15	Inner guide rail	3927168	1		
16	Corner fitting	3903356	2		
17	Corner fitting	3903357	2		
18	Connecting strip	3924977	4		
19	Guide rail bracket	XKRB 30x74	4		
20	Joint	XCFJ 44 F	1		
21	Nut	XCAN 8	10		
22	T-bolt	XLAT 17	4		
23	Cover plug	5044771	1		
24	Protective cover L	5044969	1		
25	Protective cover R	5044970	1		

<http://www.flexlink.com>

Combined pallet divert/merge kits, type A

XKPJ 90 CLA/CRA, XKPJ 90 CLWA/CRWA

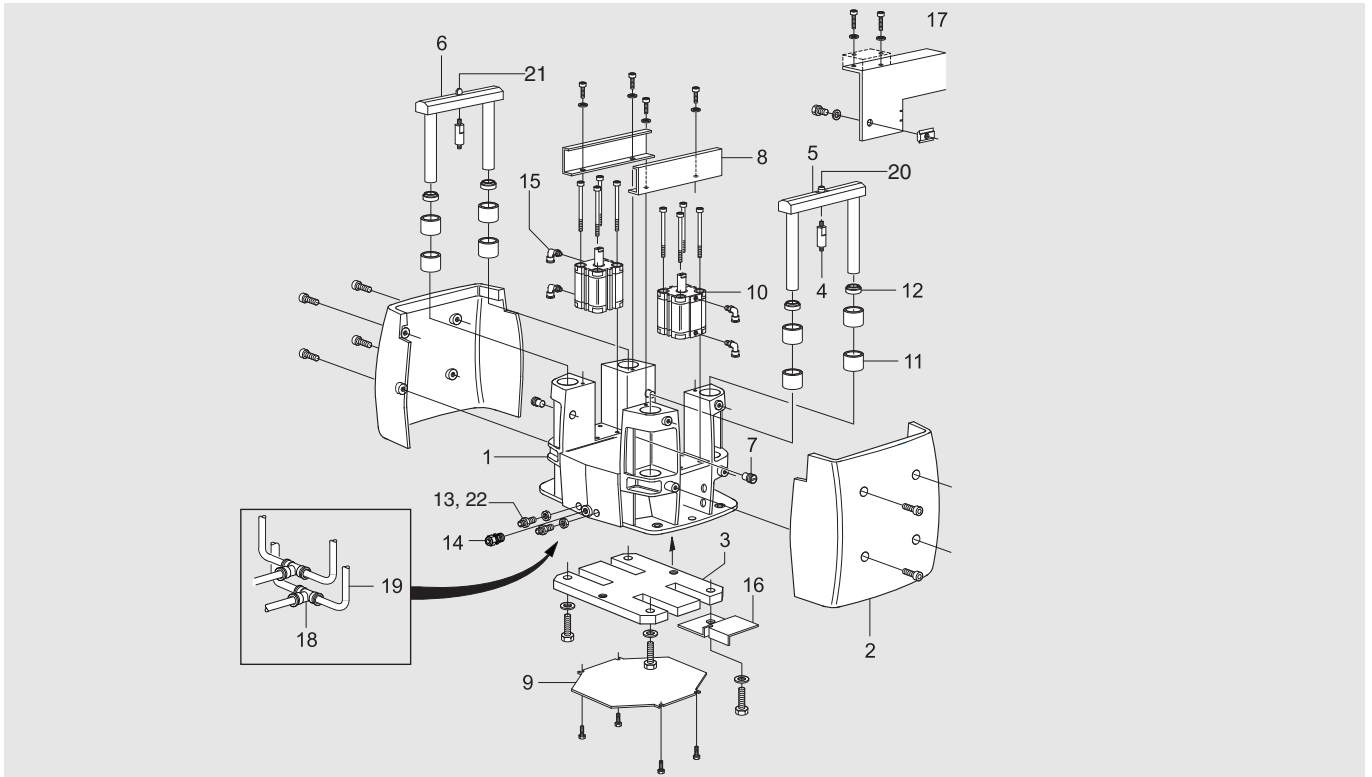


Item	Description	Part No	Qty	Comments	Recommended Spare parts
1	Revolving module (XKPJ 90 CLA)	5046316	1	Incl. cylinder Festo DSR-16-180-P	X
	Revolving module (XKPJ 90 CRA)	5046317	1	Incl. cylinder Festo DSR-16-180-P	X
2	Arm	5043330	1	Included in item 1	X
3	Guide rail (XKPJ 90 CLA/CRA)	5043332	2		
	Guide rail (XKPJ 90 CLWA/CRWA)	5043334	2		
4	Guide rail (XKPJ 90 CLA/CRA)	5043331	2		
	Guide rail (XKPJ 90 CLWA/CRWA)	5043333	2		
5	Bracket	5043335	2		
6	Side guide	5043337	1		
7	Side guide	5043336	1		
8	Cover	5043855	2	Included in item 1	
9	Spacer	5046289	2		
10	Spacer	5046286	1		
11	Inner guide rail	3927167	1		
12	Corner fitting	3903357	2		
13	Nut	XCAN 8	10		
14	Joint	XCFJ 44 F	1		
15	Connecting strip	3924977	4		
16	T-bolt	XLAT 17	4		
17	Guide rail bracket	XKRB 30x74	4		
18	Cover plug	5044771	1		
19	Protective cover L	5044969	1		
20	Protective cover R	5044970	1		

Pallet locating station, pallet stop and stop device, type A/B - XK - XL

Technical information from FlexLink

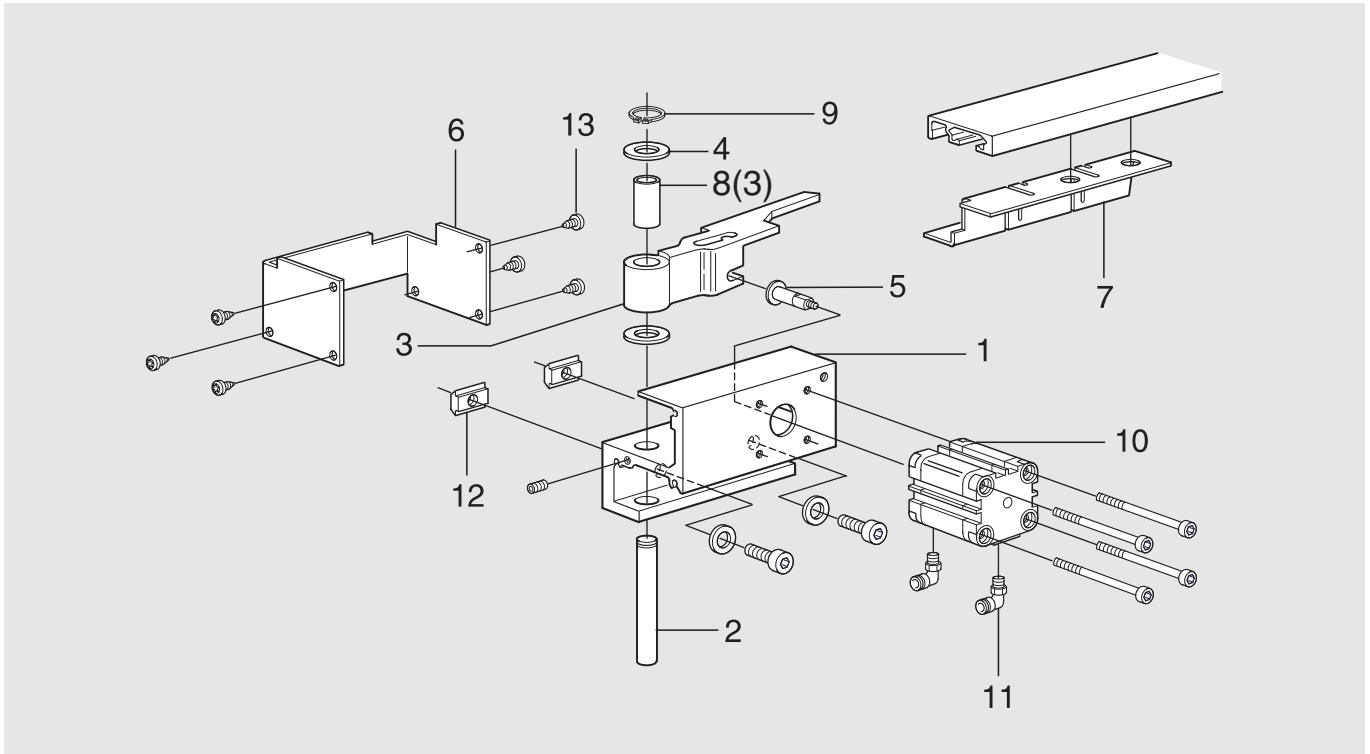
Pallet locating station and pallet stop, type A, XKPX 175 A



Item	Description	Part No	Qty	Comments	Recommended Spare parts
1	Frame	3926590	1		
2	Cover	3926591	2		
3	Plate	3926593	1		
4	Axle peg	3926596	2	Loctite or similar	
5	Ruler assy	3927411	1	Includes item 20	
6	Ruler assy	3927412	1	Includes item 21	
7	Guide screw	3926599	4		
8	Shield	5044839	2		
9	Cover	3927340	1		
10	Pneumatic cylinder	ADN-40-25-I-P-A	2	Festo	
11	Bushing	SS 2991 777 25/30x20	8	ISO 2795 - 25/30x20	
12	Rod wiper	8825-25-35-7-10 NBR/101	4	Simrit	
13	Bulkhead connector	QSSF-1/8-6-B	2	Festo	
14	Cable fitting	ELFA 55-019-60	1	PG 11, Hummel prt no: 1.209.1100.14	
15	L-fitting	QSML-1/8-6	4	Festo	
16	Sensor plate	5044851	2		
17	Attachment	5044799	1	Incl. screws and washers	

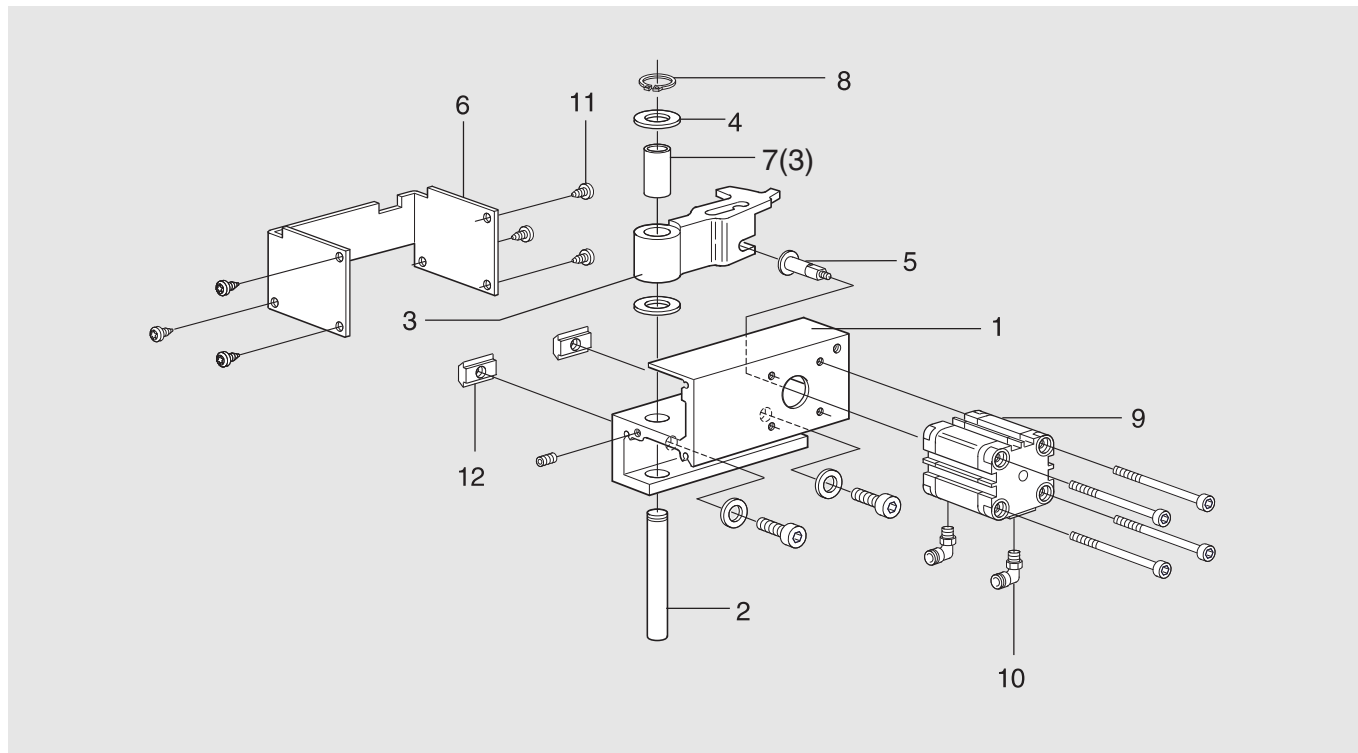
Item	Description	Part No	Qty	Comments	Recommended Spare parts
18	T-connector	QSMT-6	2	Festo	
19	Plastic tubing	PUN-6x1	1	L=0,5 m Festo	
20	Locating pin (round)	5056122	1	(also included in item 5)	
21	Locating pin (flattened)	5056123	1	(also included in item 6)	
22	Check valve	GRLA-1/8-QS-6-D	2	Festo	

Pallet locating station and pallet stop, type A/B, XKPD 32x15 LA/LB



Item	Description	Part No	Qty	Comments	Recommended Spare parts
1	Attachment	5044790	1		
2	Shaft	3926473	1		
3	Arm	3927339	1	Includes item 8	
4	Washer	3926474	2		
5	Piston rod end	3921314	1	Loctite or similar	
6	Cover	3927138	1		
7	Cover	3927137	1		
8	Radial bearing	GLY.PG 1618 25 F	1	See item 3	
9	Retaining ring	DIN 471	1	16 st	
10	Pneumatic cylinder	ADN-32-15-I-P-A	1	Festo (XKPD 32x15 LA)	
	Pneumatic cylinder	8108258-AEN-32-15-I-P-A-Z-CS-1603203A	1	Festo (XKPD 32x15 LB)	
11	L-fitting	QSML-1/8-6	2	Festo	
12	Slot nut	XCAN 8	2		
13	Screw	RXS-Z ST 4,2x6,5	6	Loctite or similar	

Pallet stop device, type A/B, XKPD 32x15 A/C



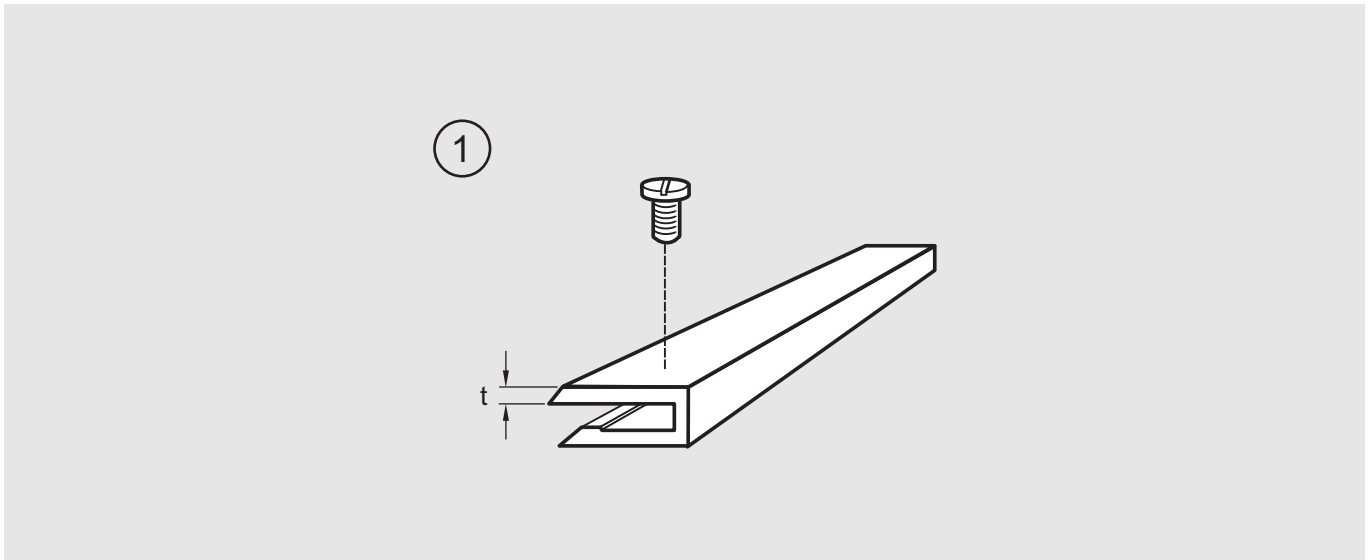
Item	Description	Part No	Qty	Comments	Recommended Spare parts
1	Attachment	5044790	1		
2	Shaft	3926473	1		
3	Arm	5053762	1	Includes item 7	
4	Washer	3926474	2		
5	Piston rod end	3921314	1	Loctite or similar	
6	Cover	3927002	1		
7	Radial bearing	GLY. PG 161825 F	1	See item 3	
8	Retaining ring	SgA 16	1		
9	Pneumatic cylinder	ADN-32-15-I-P-A	1	Festo (XKPD 32x15 A)	
	Pneumatic cylinder	8108258-AEN-32-15-I-P-A-Z-CS-1603203A	1	Festo (XKPD 32x15 C)	
10	L-fitting	QSML -1/8-6	2	Festo	
11	Screw	RXS-Z ST 4,2x6,5	6	Loctite or similar	
12	Slot nut	XCAN 8	2		

Spare parts Slide rail - XK

Technical information from FlexLink

Spare parts Slide rail - XK

Slide rail – XK

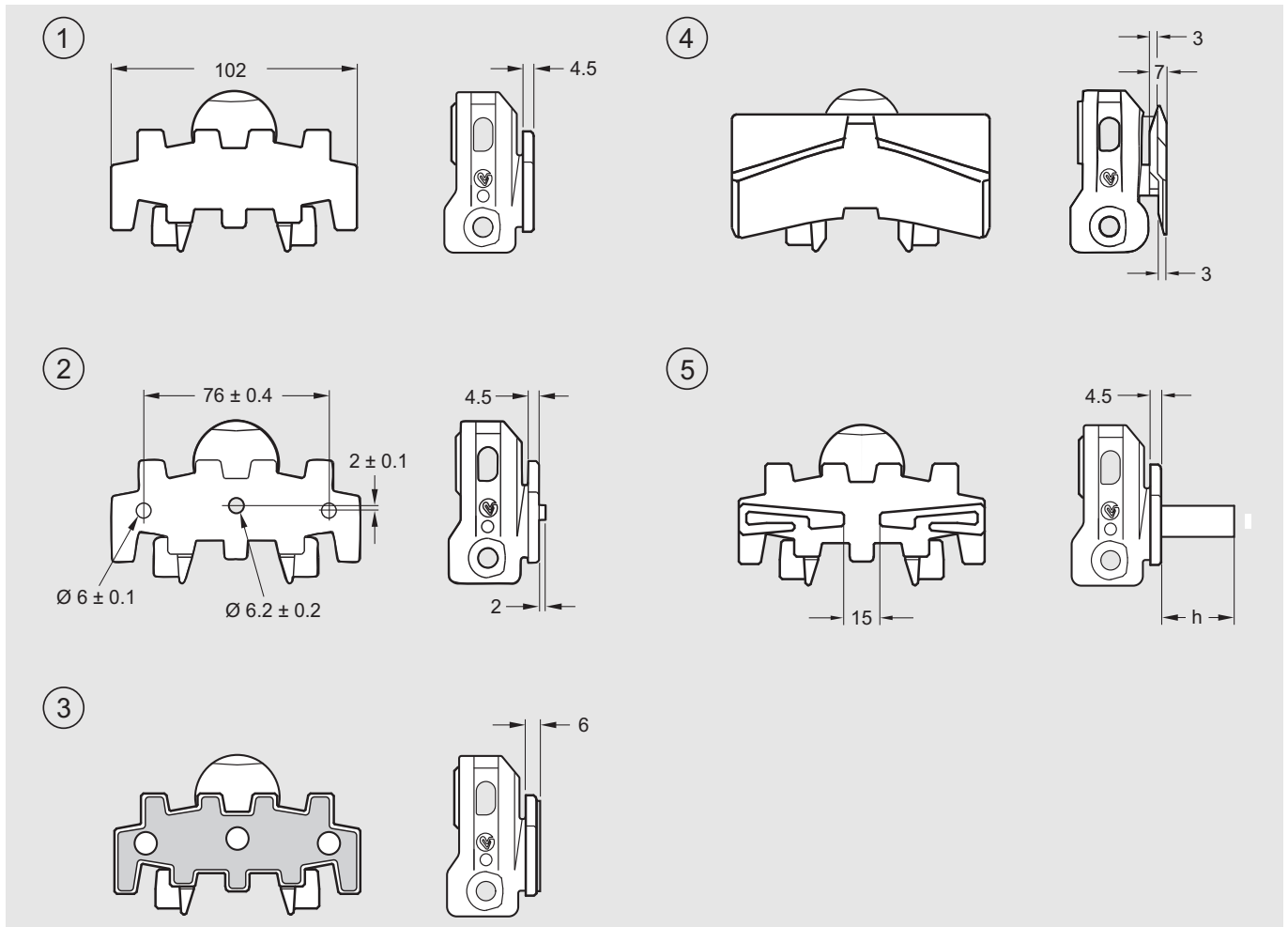


Item	Description	Part No	Qty	Comments	Recommended Spare parts
1	Plastic slide rails for XK beams				
	PVDF ($\mu=0,15-0,35$) (Transparent white) (t=2,5)	XWCR 25 P			
	UHMW-PE ($\mu=0,1-0,25$) (White) (t=2,6)	XKCR 25 U			
	PA-PE ($\mu=0,1-0,25$) (Grey) (t=2,45)	XKCR 25 H			

Spare parts Chains - XK

Technical information from FlexLink

Spare parts Chains - XK



Item	Description	Part No	Qty	Comments	Recommended Spare parts
1	Plain chain	XKTP 5		This chain must not be used in pallet applications. For this, please use closed top chain XKTP 5 A	
	Plain link kit	5056639		Link kit contains 10 links, 10 pivots, 10 steel pins	
	Plain chain (Ultra low wear)	XKTP 5 C			
	Plain link (Ultra low wear)	n.a.			
2	Universal chain	XKTF 5 U#		Enter cleat frequency (1–10) instead of # in product designation	
	Universal link kit	5056642		Link kit contains 10 links, 10 pivots, 10 steel pins	
3	Steel top chain	XKTP 5 TF			

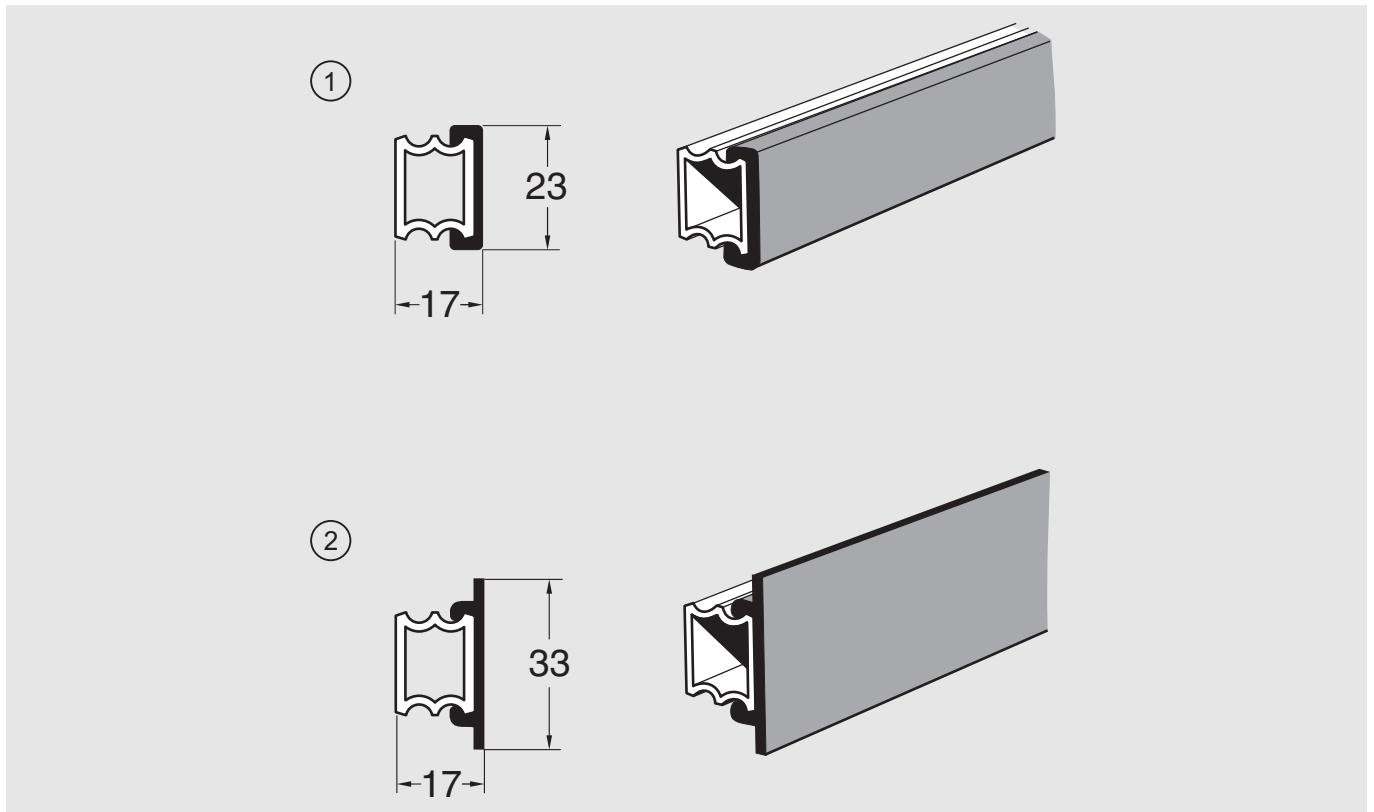
Item	Description	Part No	Qty	Comments	Recommended Spare parts
	Steel top link kit	5056644		Link kit contains 10 links, 10 pivots, 10 steel pins	
4	Closed top chain	XKTP 5 A			
	Closed top link kit	5056641		Link kit contains 10 links, 10 pivots, 10 steel pins	
5	Cleated chain, Type A			Enter cleat frequency (1–10) instead of # in product designation	
	h=15 mm	XKTF 5x15 A#			
	h=20 mm	XKTF 5x20 A#			
	h=30 mm	XKTF 5x30 A#			
	h=40 mm	XKTF 5x40 A#			
	Cleated link kit				
	h=15 mm	5056645		Link kit contains 10 links, 10 pivots, 10 steel pins	
	h=20 mm	5056646		Link kit contains 10 links, 10 pivots, 10 steel pins	
	h=30 mm	5056647		Link kit contains 10 links, 10 pivots, 10 steel pins	
	h=40 mm	5056648		Link kit contains 10 links, 10 pivots, 10 steel pins	

Spare parts Guide rail cover - XK

Technical information from FlexLink

5560EN-2

Spare parts Guide rail cover - XK



Item	Description	Part No	Qty	Comments	Recommended Spare parts
1	Guide rail cover for 15 mm aluminium guide rail				
	Polyethylene, length 3 m	XLRT 3x23			
	UHMW-PE, length 3 m	XLRT 3x23 U			
2	Guide rail cover, flanged, for 15 mm aluminium guide rail				
	Polyethylene, length 3 m, flanged	XLRT 3x33 D			

Product designations in alphanumeric order

(3904855) 10	3920084 8	3925024 6	3926279 13
(3904855) 13	3920087 19	3925025 13	3926299 14
(3904855) 16	3920087 23	3925025 16	3926310 12
(3904855) 19	3920207 21	3925025 3	3926310 13
(3904855) 23	3920207 30	3925025 6	3926400 10
(3904855) 3	3920208 21	3925027 19	3926401 10
(3904855) 6	3920208 30	3925027 23	3926402 10
(3904862) 10	3921123 14	3925028 19	3926473 45
(3904862) 13	3921123 20	3925028 23	3926473 46
(3904862) 16	3921123 21	3925029 20	3926474 45
(3904862) 19	3921123 30	3925029 21	3926474 46
(3904862) 23	3921123 31	3925035 22	3926590 43
(3904862) 3	3921123 4	3925035 5	3926591 43
(3904862) 6	3921314 45	3925066 20	3926593 43
(3920209) 14	3921314 46	3925067 20	3926596 43
(3920209) 4	3921638 12	3925068 10	3926599 43
(3920210) 14	3921638 15	3925068 13	3927002 46
(3920210) 4	3921638 18	3925068 16	3927137 45
(3924757) 21	3921638 2	3925068 19	3927138 45
(3924757) 31	3921638 26	3925068 23	3927167 41
(3925589) 13	3924197 15	3925068 3	3927168 40
(3925589) 16	3924197 18	3925068 6	3927339 45
(3925589) 3	3924197 2	3925069 19	3927340 43
(3925589) 6	3924197 9	3925069 23	3927411 43
(3925590) 13	3924287 10	3925325 10	3927412 43
(3925590) 16	3924287 19	3925325 13	5043154 19
(3925590) 3	3924287 23	3925325 16	5043154 23
(3925590) 6	3924287 3	3925325 3	5043330 40
(3925718) 8	3924287 6	3925325 6	5043330 41
(3926375) 10	3924455 2	3925332 19	5043331 37
(5048340) 8	3924455 5	3925332 23	5043331 39
(FLX1007084) 14	3924455 9	3925333 19	5043331 41
(FLX1007084) 4	3924966 33	3925333 23	5043332 37
(FLX1007085) 14	3924977 36	3925334 19	5043332 39
(FLX1007085) 4	3924977 37	3925334 23	5043332 41
3901120 33	3924977 39	3925336 19	5043333 37
3902168 33	3924977 40	3925336 23	5043333 39
3903356 36	3924977 41	3925469 16	5043333 41
3903356 38	3924989 14	3925714 33	5043334 37
3903356 40	3924989 20	3925718 16	5043334 39
3903357 36	3924989 21	3925764 28	5043334 41
3903357 37	3924989 30	3925863 31	5043335 36
3903357 38	3924989 31	3925864 31	5043335 37
3903357 39	3924989 4	3925868 27	5043335 38
3903357 40	3925001 21	3925869 27	5043335 39
3903357 41	3925001 30	3925921 8	5043335 40
3905610 19	3925001 31	3925957 22	5043335 41
3905610 23	3925024 13	3925957 5	5043336 37
3920010 19	3925024 16	3925995 28	5043336 41
3920010 23	3925024 3	3925996 28	5043337 39

5043337	41	5044839	43	5053981	16	5111600	13
5043395	36	5044851	43	5053981	19	5111600	16
5043395	37	5044948	12	5053981	28	5111600	19
5043396	38	5044948	15	5053981	3	5111600	23
5043396	40	5044948	18	5054000	10	5111600	3
5043800	36	5044948	2	5054000	13	5111600	6
5043800	40	5044948	26	5054000	16	5111633	10
5043854	36	5044969	36	5054000	19	5111648	21
5043854	38	5044969	37	5054000	3	5111648	30
5043854	40	5044969	38	5054001	23	5111648	31
5043855	37	5044969	39	5054001	6	5111650	13
5043855	39	5044969	40	5054002	23	5111650	16
5043855	41	5044969	41	5054002	6	5111650	3
5044116	40	5044970	36	5054003	8	5111650	6
5044116/5044117	38	5044970	37	5056122	44	5111651	14
5044117	40	5044970	38	5056123	44	5111651	4
5044117/5044116	36	5044970	39	5056639	49	5111652	14
5044118	40	5044970	40	5056641	50	5111652	4
5044118/5044119	38	5044970	41	5056642	49	5111653	16
5044119	40	5044980	22	5056644	50	5111653	8
5044119/5044118	36	5044980	5	5056645	50	5116503	20
5044120	40	5046286	38	5056646	50	5116503	4
5044120/5044121	38	5046286	39	5056647	50	5117108	7
5044121	40	5046286	40	5056648	50	iXBBE 180A85R160	33
5044121/5044120	36	5046286	41	5056817	10	XBBE 30A85R160	33
5044640	36	5046289	38	5056817	13	XBBE 45A85R160	33
5044640	37	5046289	39	5056817	16	XBBE 90A85R160	33
5044640	38	5046289	40	5056817	19	XBBE EA85R160	33
5044640	39	5046289	41	5056817	28	XCAN 8	40
5044646	37	5046314	37	5056817	3	XCAN 8	41
5044646	39	5046315	37	5056820	10	XCAN 8	45
5044647	36	5046316	41	5056820	13	XCAN 8	46
5044663	40	5046317	41	5056820	16	XCFJ 44 F	40
5044663/5044664	36	5046318	36	5056820	19	XCFJ 44 F	41
5044664	40	5046319	36	5056820	3	XHBE 180R170	33
5044664/5044663	38	5046320	40	5057697	33	XHBE 30R170	33
5044665	40	5046321	40	5058559	33	XHBE 45R170	33
5044665/5044666	36	5046977	16	5059235	33	XHBE 60R170	33
5044666	40	5046985	16	5059236	33	XHBE 90R170	33
5044666/5044665	38	5048240	33	5059237	33	XKBE 180R200	28
5044667	40	5048340	16	5059244	33	XKBE 180R200	33
5044667/5044668	36	5048482	33	5059247	33	XKBE 30R200	33
5044668	40	5048485	33	5110507	33	XKBE 45R200	33
5044668/5044667	38	5051421	14	5111598	8	XKBE 90R200	33
5044695	16	5051421	20	5111599	10	XKCE 55×30	28
5044771	38	5051421	21	5111599	13	XKCR 25 H	47
5044771	39	5051421	30	5111599	16	XKCR 25 U	47
5044771	40	5051421	31	5111599	19	XKEB 0 HL/HLA	5
5044771	41	5051421	4	5111599	23	XKEB 0 HLDU-	16
5044790	45	5053762	46	5111599	3	XKEB 0 HLU	10
5044790	46	5053981	10	5111599	6	XKEB 0 HLU	3
5044799	43	5053981	13	5111600	10	XKEB 0 HLU	6

XKEB 0 HLU	8	XKTF 5x30 A#	50
XKEB 0 HR/HRA	5	XKTF 5x40 A#	50
XKEB 0 HRDU-	16	XKTP 5	49
XKEB 0 HRU	10	XKTP 5 A	50
XKEB 0 HRU	3	XKTP 5 C	49
XKEB 0 HRU	6	XKTP 5 TF	49
XKEB 0 HRU	8	XLAQ 8	36
XKEB 0 L/LA	2	XLAQ 8	37
XKEB 0 LD/LAD-	15	XLAQ 8	38
XKEB 0 LD/LAD106 ..	12	XLAQ 8	39
XKEB 0 LDU106	13	XLAT 17	36
XKEB 0 LP	7	XLAT 17	37
XKEB 0 R/RA	2	XLAT 17	38
XKEB 0 RD/RAD-	15	XLAT 17	39
XKEB 0 RD/RAD106..	12	XLAT 17	40
XKEB 0 RDU106	13	XLAT 17	41
XKEB 0 RP	7	XLBE 180R150	33
XKEB HLP/HRP: changed to XKEB LP/RP	1	XLBE 30R150	33
XKEC 0 HL/HLA	22	XLBE 45R150	33
XKEC 0 HR/HRA	22	XLBE 60R150	33
XKEC 0 L/LA	18	XLBE 90R150	33
XKEC 0 R/RA	18	XLBJ 5x140	38
XKEH 0 L/LA	9	XLRT 3x23 U	51
XKEH 0 R/RA	9	XLRT 3x33 D	51
XKEW 180/0 H/HA	26	XMBE 180R160	33
XKEW 180/0 U	27	XMBE 30R160	33
XKPJ 45 CLA/CRA, XKPJ 90 CLWA/CRWA	40	XMBE 45R160	33
XKPJ 45 DLA/DRA, XKPJ 45 DLWA/DRWA ..	36	XMBE 60R160	33
XKPJ 45 MLA/MRA, XKPJ 45 MLWA/MRWA .	38	XMBE 90R160	33
XKPJ 90 CLA/CRA, XKPJ 90 CLWA/CRWA	41	XSBE 180R150	33
XKPJ 90 DLA/DRA, XKPJ 90 DLWA/DRWA	37	XSBE 30R150	33
XKPJ 90 MLA/MRA, XKPJ 90 MLWA/MRWA	39	XSBE 45R150	33
XKRB 30x74	36	XSBE 90R150	33
XKRB 30x74	37	XWCR 25 P	47
XKRB 30x74	38		
XKRB 30x74	39		
XKRB 30x74	40		
XKRB 30x74	41		
XKTF 5 U#	49		
XKTF 5x15 A#	50		
XKTF 5x20 A#	50		

