

End drive unit – XW

Contents

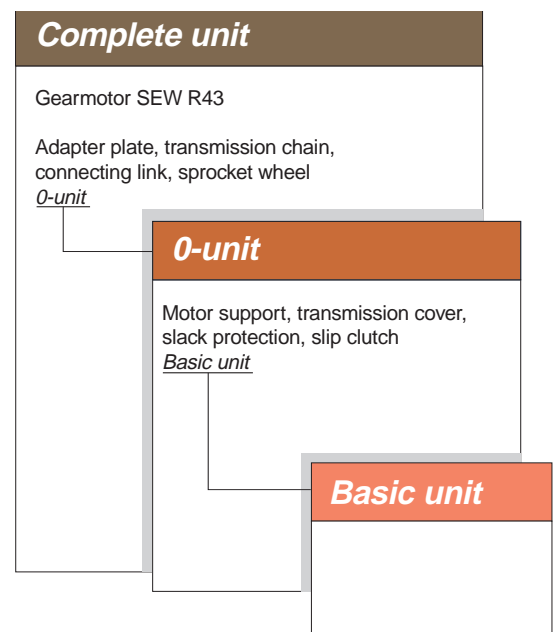
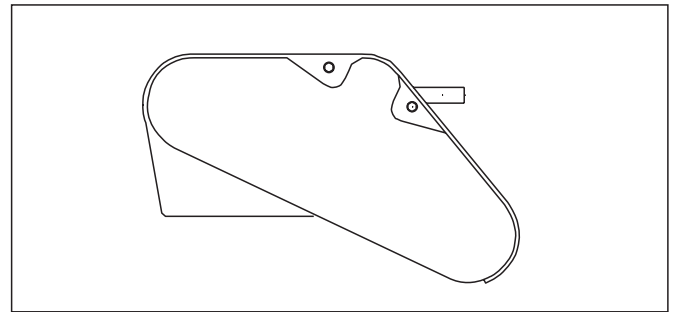
End drive unit (for 300 and 600 mm conveyors)

Complete unit – XWEB _B300 L/R, XWEB _B600 L/R _____	2
0-unit – XWEB 0B300 L/R, XWEB 0B600 L/R _____	3
Basic unit – XWEB 0B300 LU/RU, XWEB 0B600 LU/RU _____	4
Basic module – XWEB _B300 L/R, XWEB _B600 L/R _____	5

End drive unit (for 900 and 1200 mm conveyors)

Complete unit – XWEB _B900 L/R, XWEB _B1200 L/R _____	6
0-unit – XWEB 0B900 L/R, XWEB 0B1200 L/R _____	7
Basic unit – XWEB 0B900 LU/RU, XWEB 0B1200 LU/RU _____	8
Basic module – XWEB _B900 L/R, XWEB _B1200 L/R _____	9

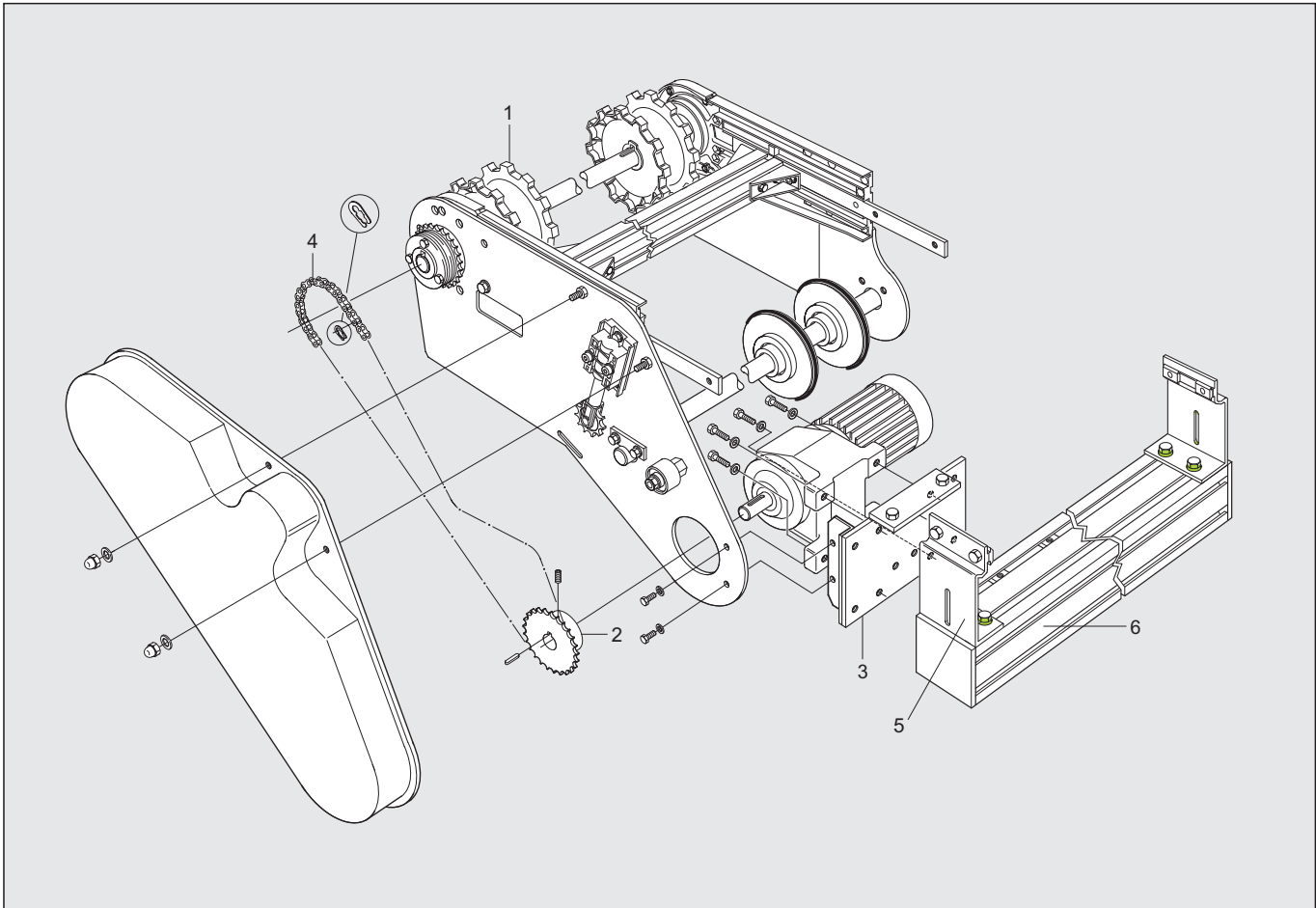
<i>Revision list</i> _____	10
----------------------------	----



End drive unit (for 300 and 600 mm conveyors)

Complete unit – XWEB _B300 L/R, XWEB _B600 L/R

For SEW R43 gearmotor



Item	Description	Part No	Qty	Comments
10-unit	XWEB 0 L.....	1 See next page for details.....
0-unit.....	XWEB 0 R.....	1 See next page for details.....
2Sprocket wheel 1/2" including set screw.....	1 See table below..... ☆
3Adapter plate including bolts and washers	3920853.....	1 See SEW R43 gearmotor
4Transmission chain 1/2" including connecting link.....	5111232.....	1 ISO/R 606-08B
5Beam support bracket	XLCT 21×125.....	2
6Support beam including screws (300 mm width)	3921905.....	1
Support beam including screws (600 mm width)	3921906.....	1

☆ = recommended spare part

Sprocket wheel	Part No (SEW)
Z ₁ =17	3921989
Z ₁ =23	3921992
Z ₁ =25	3921993

