



Idler end unit – XW

Contents

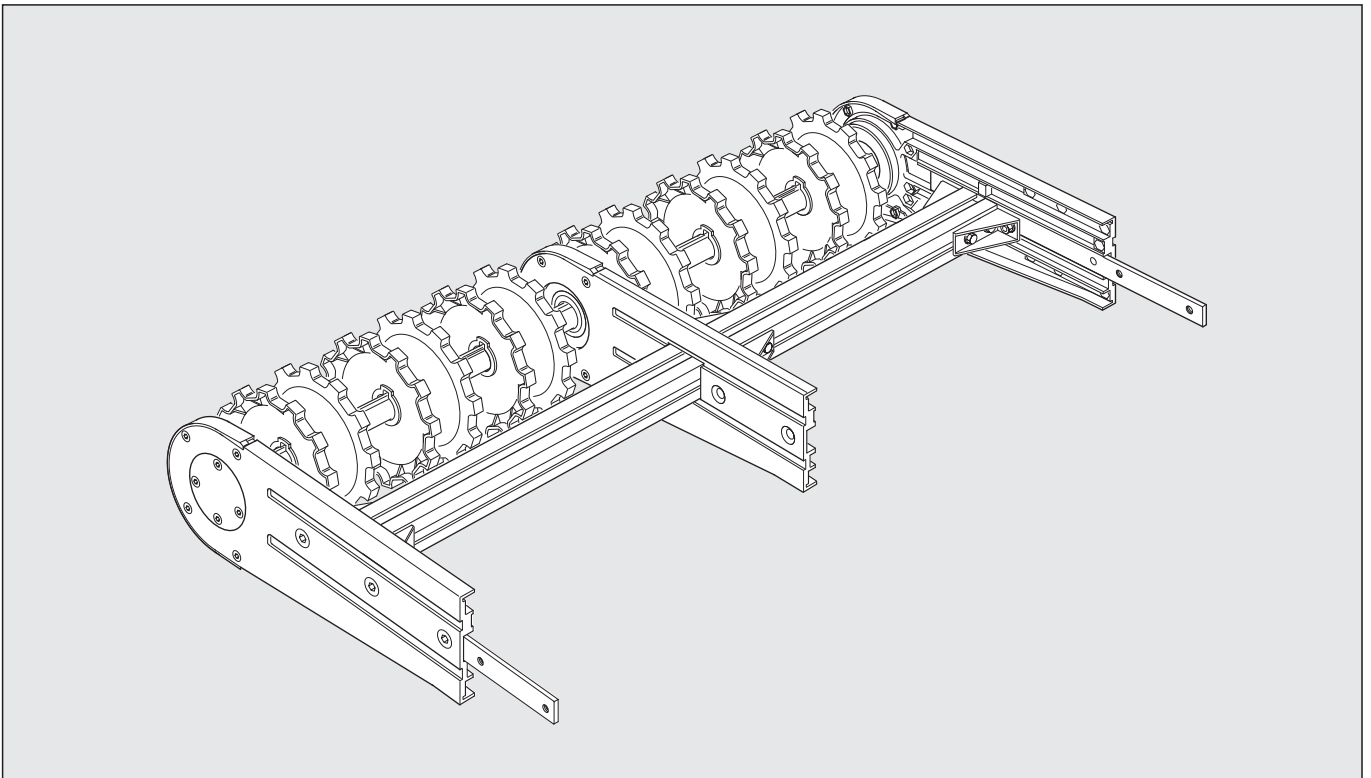
Idler end unit

Basic unit – XWEJ _____ 1

XWEJ _____ 2

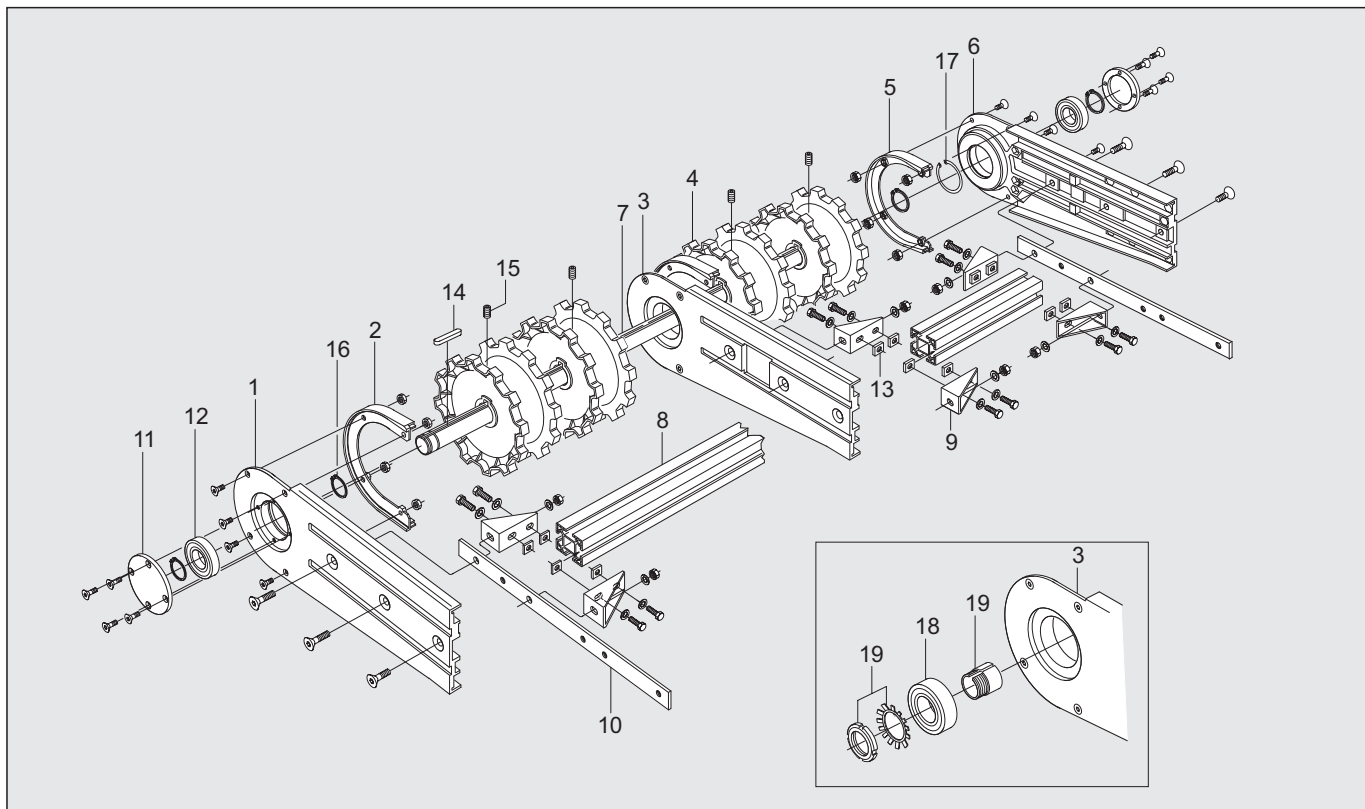
Revision list _____ 3

Basic unit – XWEJ



Idler end unit

XWEJ



Item	Description	XWEJ 300		XWEJ 600		XWEJ 900		XWEJ 1200	
		Part no	Qty	Part no	Qty	Part no	Qty	Part no	Qty
1	Side plate	3905717	1	3905717	1	3905717	1	3905717	1
2	Steering guide L	3905705	1	3905705	1	3905705	2	3905705	2
3	Side plate	—	—	—	—	3905890	1	3905890	1
4	Wheel	3905400	2	3905400	4	3905400	6	3905400	8
5	Steering guide R	3905704	1	3905704	1	3905704	1	3905704	1
6	Side plate	3905716	1	3905716	1	3905716	1	3905716	1
7	Shaft Ø 25 mm	3920817	1	3920818	1	3905858	1	3920819	1
8	Beam XCBL 44	3905898	1	3920820	1	3920821	1	3920822	1
9	Angle bracket	3905478	4	3905478	4	3905478	6	3905478	6
10	Connecting strip	3905722	2	3905722	2	3905722	2	3905722	2
11	Cover	3904671	2	3904671	2	3904671	2	3904671	2
12	Bearing	2205 E 2RS1/C3	2	(See 300)	2	(See 300)	2	(See 300)	2
13	Slot nut	XLAQ 8	8	XLAQ 8	8	XLAQ 8	12	XLAQ 8	12
14	Wedge	8x7x40	2	8x7x40	4	8x7x40	6	8x7x40	8
15	Set screw	SK6SS M6x8	2	SK6SS M6x8	4	SK6SS M6x8	6	SK6SS M6x8	8
16	Retaining ring	SgA 25	4	SgA 25	4	SgA 25	4	SgA 25	4
17	Retaining ring	SgH 52	1	SgH 52	1	SgH 52	1	SgH 52	1
18	Bearing	—	—	—	—	See 1200	1	2206 EK/2RS1/C3	1
19	Clamping sleeve	—	—	—	—	H 306	1	H 306	1

