

# Conveyor system XH

## Contents

System information.....	217	Catenary drive units XH.....	227
Conveyor modules.....	218	S-Transfer.....	227
Chains XH.....	219	Idler units XH.....	227
Chain accessories XH.....	220	Bridges.....	229
Beams XH.....	220	Wheel bends XH.....	230
Beam accessories XH.....	221	Wheel cover for Wheel bend.....	231
Slide rails XH.....	222	Plain bends XH.....	231
Slide rails XH, hardened steel.....	223	Support rail for plain bends XH.....	232
Drive and idler units – introduction.....	224	Vertical bends XH.....	233
End drive units XH.....	225	Angle plates XH.....	234
End drive units XH, direct drive with slip clutch.....	225	Front piece XH.....	235
End drive units XH Type H, direct drive, no slip clutch.....	226	Drip trays XH.....	236
Intermediate drive units XH.....	226	Drip catchers XH.....	236

## System information



### Chain width 103 mm



### Features

Suitable for larger items, especially if point of balance is somewhat offcenter. Higher capacity than XS and X65.

### Examples of application areas

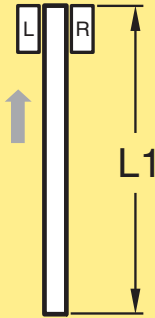
Large ball bearings, electric motors, steering arm components, secondary packages, cartons.

### Technical characteristics

Drive unit capacity.....	1250 N
Chain tension limit.....	1250 N
Beam width.....	105 mm
Chain width.....	103 mm
Chain pitch.....	35,5 mm
Item width.....	25–300 mm
Maximum item weight	
Horizontal transport.....	20 kg
Vertical transport.....	15 kg
Maximum weight on conveyor.....	150–300 kg
Maximum conveyor length.....	30 m
Maximum permitted load per link.....	2,0 kg

# Conveyor modules

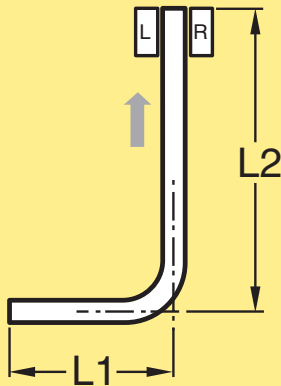
## Straight conveyor



Conveyor module – straight \* **5990226**

*\*Use online configurator when ordering*

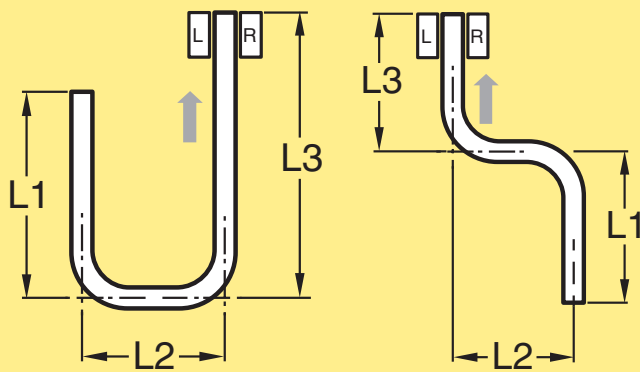
## One bend conveyor



Conveyor module – one bend \* **5990230**

*\*Use online configurator when ordering*









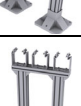


## Two bend conveyor



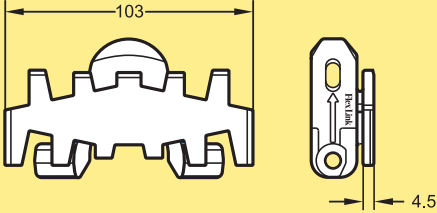
Conveyor module – two bends \* **5990237**

*\*Use online configurator when ordering*

## Support modules – single and multi-lane

	5995387	Single diecast
	5995388	Single end adjustable
	5995389	Single end guide roller
	5995390	Single foot plate
	5995391	Single two/three-point
	5995393	Multi single 2 lane
	5995394	Multi single 3 lane
	5995395	Multi single 4 lane
	5995396	Multi double 2 lane
	5995397	Multi double 3 lane
	5995398	Multi double 4 lane

**Plain chain**



Plain chain  
Length 5 m **XHTP 5**

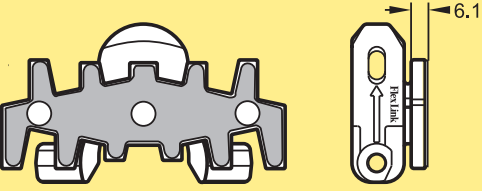
Plain link kit \* **5056312**

Plain chain (Ultra low wear)  
Length 5 m **XHTP 5 C**

Plain link (Ultra low wear) **n.a.**

*\*Note. Link kit contains 10 links, 10 pivot, 10 steel pins.*

**Steel top chain**

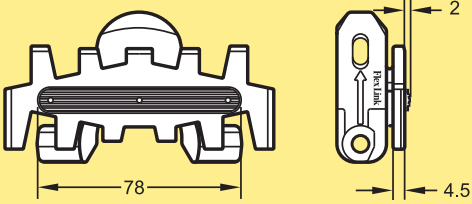


Steel top chain  
Length 5 m **XHTP 5 TF**

Steel top link kit \* **5056594**

*Note. Link kit contains 10 links, 10 pivot, 10 steel pins.*

**Friction top chain**



Friction top chain  
Length 5 m **XHTP 5 FP**

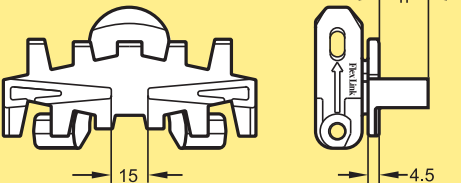
*Use the online configurator to specify and order.*

Friction top chain  
Length 5 m **XHTP 5 F**

Friction top link kit \* **5056593**

*\*Note. Link kit contains 10 links, 10 pivot, 10 steel pins.*

**Cleated chain, Type A**



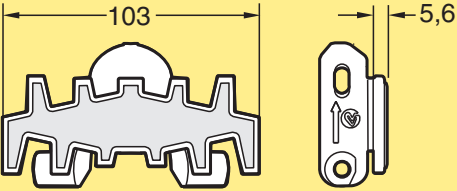
Cleated chain, Type A cleats\*  
Length 5 m  
h=15 mm **XHTF 5x15 A**  
h=20 mm **XHTF 5x20 A**  
h=30 mm **XHTF 5x30 A**  
h=40 mm **XHTF 5x40 A**

*\*Use the online configurator to specify and order.*

Cleated link kit \*\*  
h=15 mm **5056595**  
h=20 mm **5056596**  
h=30 mm **5056597**  
h=40 mm **5056598**

*\*\*Note. Link kit contains 10 links, 10 pivot, 10 steel pins.*

**Flat top friction chain**

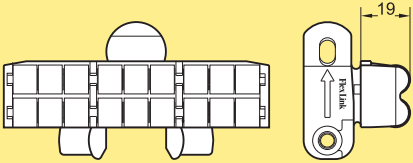


Flat top friction chain  
Length 5 m **XHTP 5 FA**

Flat top friction link kit \* **5058544**

*\*Note. Link kit contains 10 links, 10 pivot, 10 steel pins.*

**Roller top chain**



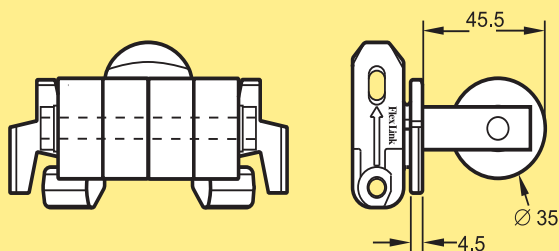
Roller top chain  
Length 5 m **XHTR 5**

Roller top link kit \*) \*\*) **5056603**

*\*Note. This link cannot be combined with plain links.*  
*\*\*Note. Link kit contains 10 links, 10 pivot, 10 steel pins.*

## Chains XH (continued)

### Chain with roller cleats



Chain with roller cleats  
Length 5 m

**XHTF 5x46 R**

Use the online configurator to specify and order.

Link kit with roller cleats\* **5056604**

Note. This type of chain requires minimum one plain link between every cleated link.

\*Note. 1 link XHTL 103x46 R with pivot and steel pin.

### Other chains

See the *Chain guide* for a selection of other chains.

### Chain installation

See Appendix "D. Chain installation" on page 530, for installation instructions

## Chain accessories XH

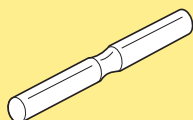
### Plastic pivot



Plastic pivots, kit XH (25 pcs)

**5056588**

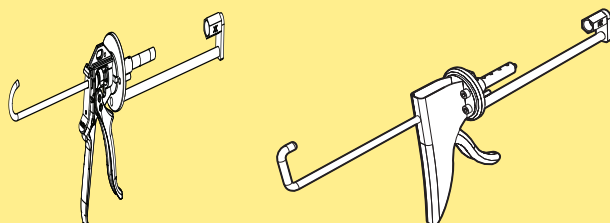
### Steel pin



Steel pin, kit (25 pcs) XH

**5111502**

### Pin insertion tool for chain



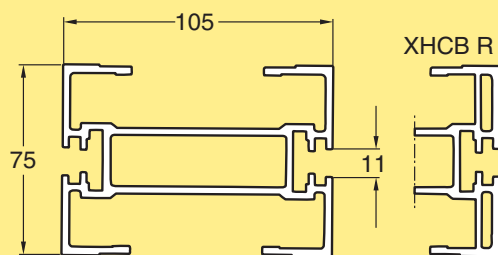
Pin insertion tool  
XH

X85-X180/X300-XH, PRO version\* **XHMJ 6**  
**XBMJ 6 P**

This tool is recommended for frequent users

## Beams XH

### Conveyor beam



Beam

Length 3000 +10/-0 mm

**XHCB 3**

Length to order (30- 3000 mm)

**XHCB L**

Beam, reinforced

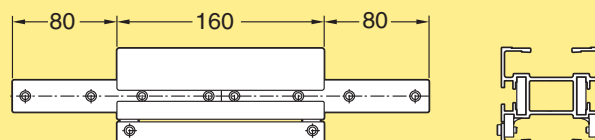
Length 3000 +10/-0 mm

**XHCB 3 R**

Length to order (30- 3000 mm)

**XHCB L R**

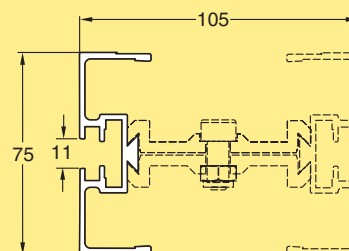
### Beam section for chain installation



Beam section for chain installation  
Including connection strips and  
screws

**XHCC 160 A**

### Profile for split conveyor beam



Profile for split conveyor beam

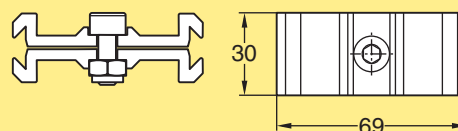
Length 3000 +10/-0 mm

**XHCB 3 H**

Length to order (30- 3000 mm)

**XHCB L H**

### Beam clip assembly

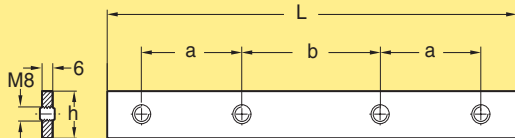


Beam clip assembly

**XHCE 69x30**

Including M8 screw and locking nut. Use minimum 5 clips per meter. Place clips 100 mm from each end.

**Connecting strip with set screws**



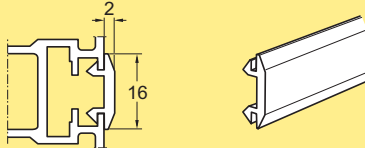
Connecting strip with set screws

h=25, a=30, b=50, L=130  
h=25, a=44, b=44, L=160

**XLCJ 6x130**  
**XLCJ 6x160**

Note. Contains 10 pcs.

**Cover strip for T-slot, PVC**

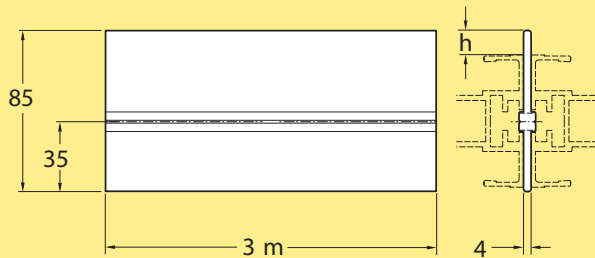


Cover strip for T-slot, PVC  
Length 25 m

**XLAB 25**

For XS-XH

**Beam spacer**



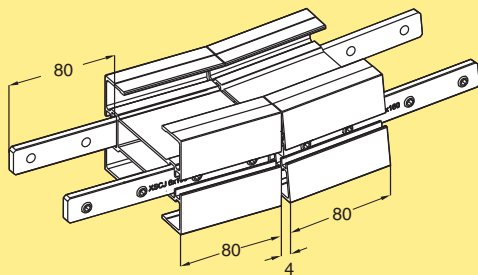
XS	X65	X85/XH	XK
h=16,0 mm	h=15,9 mm	h=10,5 mm	h=0,5 mm

Beam spacer  
Aluminium, anodized  
Length 3 m

**XLCD 3**

For connection of two conveyor beams side to side. Use M8 screw and slot nut. Two holes must be drilled, one through the spacer (9 mm) and one through the beam, to allow insertion of the screw. The diameter of the second hole depends on the size of the screw head.

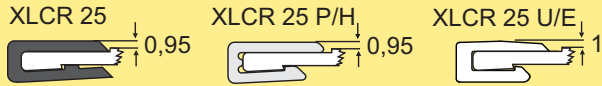
**Articulated beam section**



Articulated beam section vertical **XHCH 5 V**

# Slide rails XH

## Plastic slide rails for beams



### Slide rail

Length 25 m

HDPE ( $\mu=0,1-0,25$ ) (Black)

PA-PE ( $\mu=0,1-0,25$ ) (Grey)

PVDF ( $\mu=0,15-0,35$ ) (Natural white)

PE-UHMW ( $\mu=0,1-0,25$ ) (White)

PE-UHMW (Blue)

PE-UHMW conductive (Black)

**XLCR 25**

**XLCR 25 H**

**XLCR 25 P**

**XLCR 25 U**

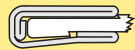
**XLCR 25 UL A**

**XLCR 25 E**

See Appendix A, page 521 for selection guidelines and assembly instructions.

## Steel slide rail for beams

XLCR 3 TA



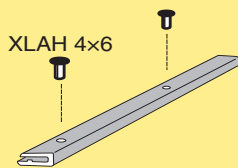
Slide rail ( $\mu=0,15-0,35$ )

Length 3 m

Acid resistant stainless steel

**XLCR 3 TA**

## Aluminium rivets



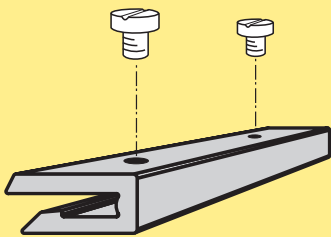
Aluminium rivets 4 mm for XH conveyors

**XLAH 4x6**

Extra slide rail in plain bends must be anchored using plastic screws due to lack of space for the rivet crimping tool.

Note. Contains 250 pcs. 250.

## Plastic screws for slide rail



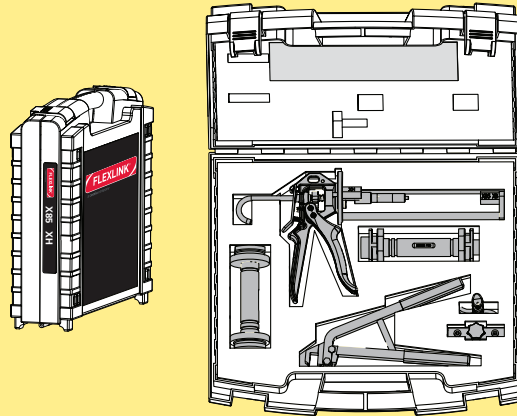
Plastic screws 5 mm for XS-X65-X85-XH-X180/X300 beams

**XLAG 5**

See mounting instruction "Anchoring slide rail using plastic screws" on page 526

Note. Contains 50 pcs.

## Toolbox for assembly and maintenance (X85, XH)



Toolbox

**FLX1007288**

Contains:

Pin insertion tool (chain)

Mounting tool (X85)(slide rail)

Mounting tool (XH) (slide rail)

Rivet crimping pliers 4 mm (slide rail)

Rivet crimping clamp 4 mm (slide rail)

Drill fixture 4 mm (slide rail)

**XBMJ 6 P**

**XBMR 170**

**XHMR 200**

**5051395**

**3923005**

**3920500**

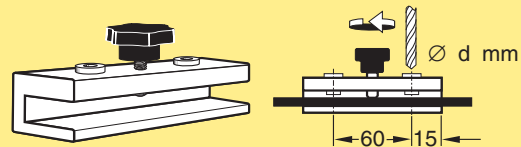
## Mounting tool for slide rail



Mounting tool for slide rail XH

**XHMR 200**

## Drill fixture for slide rail



Drill fixture for X65-X85-XH-XK-X180/X300 slide rail

d=4,2 mm

**3920500**

## Rivet crimping pliers



Rivet crimping pliers for X65-X85-XH-XK-X180/X300

For 4 mm rivets

**5051395**

**Rivet crimping clamp**

Rivet crimping clamp for X65-X85-XH-XK-X180/X300  
For 4 mm rivets  
(Allen key not included)

**3923005**

**Cover strip**

5112114  
5057208

Cover strip  
Length: 3 m  
Material: Plastic PA 12

**5112114**

*Cover the opening on the side between the chain and beam. Primarily for straight sections and the outer curves, but can also be mounted on inner curves. Apply using a double-sided tape, see mounting instruction 5497EN in Technical library.*

**Slide rails XH, hardened steel**

**Steel slide rail, straight**

Slide rail, hardened steel  
Length 3 m

**XLCR 3 TH**

*Delivered with 9 predrilled holes*

**Brass rivets**

Brass rivets (100 pcs)

**5056167**

*Rivets for anchoring the slide rails*

**Steel slide rail for bends**

Slide rail for bends, hardened steel  
Slide rail for bend, XH 30°  
Slide rail for bend, XH 45°  
Slide rail for bend, XH 90° & 180°

**XHCR W30 TH**  
**XHCR W45 TH**  
**XHCR W90 TH**

*180°: Use 2 pieces of steel slide rail 90°*

**Cleaner 3M**

Cleaner (100 sachets)

**5057207**

*Use cleaner on beam and slide rail before attaching glue tape.*

**Glue tape 3M**

Glue tape  
Length 30 m

**5057208**

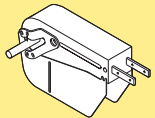
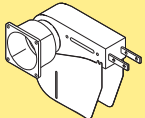

# Drive and idler units – introduction

## Drive unit types

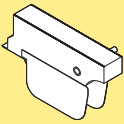
The XH system includes several configurations are available, including direct driven units with or without slip clutch. Heavy duty drives with suspended motor and transmission chain can also be ordered.

Available motors include variable speed types (**V**) as well as fixed speed motors (**F**).

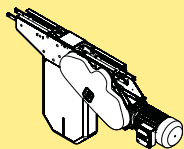
### End drive units

Size	Direct drive, no slip clutch	Direct drive, slip clutch	Suspended motor, transmission chain, slip clutch
			
Heavy	F, V	F, V	F
Heavy, guided	F, V	F, V	–

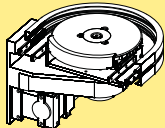
### Intermediate drive units

Size	Suspended motor, transmission chain, slip clutch
	
Heavy	F

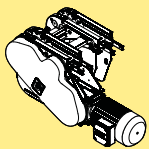
### Catenary drive units

Size	Suspended motor, transmission chain, slip clutch
	
Heavy	F

### Wheel bend drive units

Size	Suspended motor, transmission chain, slip clutch
	
Heavy	F

### Double drive units

Size	Suspended motor, transmission chain, slip clutch
	
Heavy	F

## Motor specifications

Motors are available for 230/400 V, 50 Hz and 230/460 V, 60 Hz. Variable speed motors are SEW Movimot, 380–500 V. Note that variable speed motors include a control box that adds 120 mm to the width of the motor.

IP55 available with standard oil.

IP65 available with food grade oil.

## Ordering information

Drive units with motors must be specified using the web-based configurator. The configurator provides detailed information and step-by-step guidance in the specification process. A product code string is generated, containing the specification details. See next page for examples of code strings.

Drive units *without* motors can be ordered using the designations in the catalogue.

## Dimension

Note that dimensions relating to drive unit motors depend on the motor specified during the configuration.

# End drive units XH

PO

CC

X45

XS

X65

X65P

X85

X85P

**XH**

XK

XKP

X180

X300

GR

CS

XT

HU

WL

WK

XC

XF

XD

ELV

SC

FST

TR

APX

IDX

**End drive unit, suspended, slip clutch**

End drive unit  
 Speed up to 60 m/min  
 Transmission on left side  
 Fixed speed\*  
 Without motor (ISO) **XHEB**  
 Without motor (ANSI) **XHEB 0 HL**  
**XHEB 0 HLA**

*Maximum traction force: 1250 N. See page 22.*  
*\*Use online configurator when ordering.*  
 Effective track length: 0,80 m

**End drive unit, suspended, slip clutch**

End drive unit  
 Speed up to 60 m/min  
 Transmission on right side  
 Fixed speed\*  
 Without motor (ISO) **XHEB**  
 Without motor (ANSI) **XHEB 0 HR**  
**XHEB 0 HRA**

*Maximum traction force: 1250 N. See page 22.*  
*\*Use online configurator when ordering.*  
 Effective track length: 0,80 m

# End drive units XH, direct drive with slip clutch

**End drive unit, direct drive with slip clutch**

End drive unit, direct drive  
 Fixed speed up to 60 m/min  
 Variable speed: see Drive Unit Guide  
 Motor on left side  
 Fixed/variable speed\* **XHEB**  
 Without motor **XHEB 0 HLP**

*Maximum traction force: 1250 N. See page 22.*  
*\* Use online configurator when ordering.*  
 Effective track length: 0,80 m

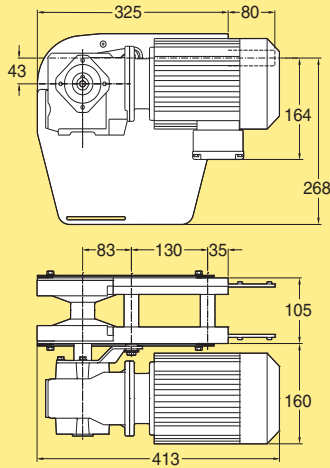
**End drive unit, direct drive with slip clutch**

End drive unit, direct drive  
 Fixed speed up to 60 m/min  
 Variable speed: see Drive Unit Guide  
 Motor on right side  
 Fixed/variable speed\* **XHEB**  
 Without motor **XHEB 0 HRP**

*Maximum traction force: 1250 N. See page 22.*  
*\* Use online configurator when ordering.*  
 Effective track length: 0,80 m

# End drive units XH Type H, direct drive, no slip clutch

## End drive unit, direct drive, no slip clutch

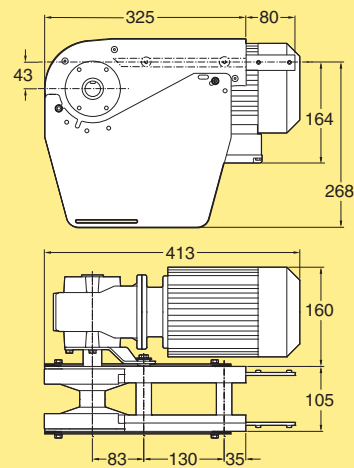


End drive unit, max 1250 N  
 Fixed speed up to 60 m/min  
 Variable speed: see Drive Unit Guide  
 Motor on left side  
 Fixed/variable speed\*  
 Without motor

**XHEB**  
**XHEB 0 HNLP**

Maximum traction force: see diagram, page 22.  
 \*Use online configurator when ordering.  
 Effective track length: 0,80 m

## End drive unit, direct drive, no slip clutch



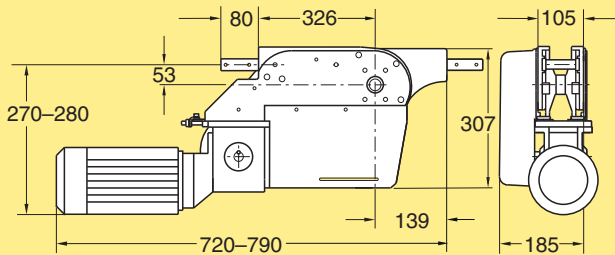
End drive unit, max 1250 N  
 Fixed speed up to 60 m/min  
 Variable speed: see Drive Unit Guide  
 Motor on left side  
 Fixed/variable speed\*  
 Without motor

**XHEB**  
**XHEB 0 HNRP**

Maximum traction force: see diagram, page 22.  
 \*Use online configurator when ordering.  
 Effective track length: 0,80 m

# Intermediate drive units XH

## Intermediate drive unit

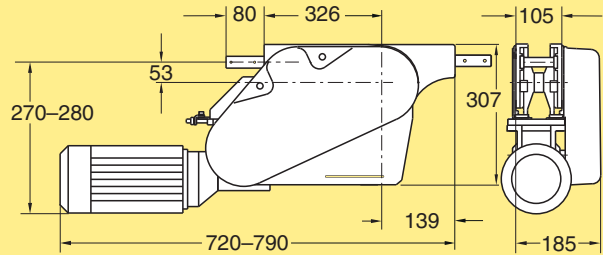


Intermediate drive unit  
 Suspended motor  
 Fixed speed up to 25 m/min  
 Transmission on left side  
 Fixed speed\*  
 Without motor (ISO)  
 Without motor (ANSI)

**XHER**  
**XHER 0 HL**  
**XHER 0 HLA**

Maximum traction force: 200 N. See page 22.  
 \* Use online configurator when ordering.  
 Effective track length: 1,00 m

## Intermediate drive unit



Intermediate drive unit  
 Suspended motor  
 Fixed speed up to 25 m/min  
 Transmission on right side  
 Fixed speed\*  
 Without motor (ISO)  
 Without motor (ANSI)

**XHER**  
**XHER 0 HR**  
**XHER 0 HRA**

Maximum traction force: 200 N. See page 22.  
 \*Use online configurator when ordering.  
 Effective track length: 1,00 m

# Catenary drive units XH

PO

CC

X45

XS

X65

X65P

X85

X85P

**XH**

XK

XKP

X180

X300

GR

CS

XT

HU

WL

WK

XC

XF

XD

ELV

SC

FST

TR

APX

IDX

**Catenary drive unit**

Catenary drive unit  
Suspended motor  
Fixed speed up to 25 m/min  
Transmission on left side  
Fixed speed\*  
Without motor (ISO) **XHEC**  
Without motor (ANSI) **XHEC 0 HL**  
**XHEC 0 HLA**

Maximum traction force: 1250 N. See page 22.  
\*Use online configurator when ordering.  
Effective track length: 1,35 m

**Catenary drive unit**

Catenary drive unit  
Suspended motor  
Fixed speed up to 25 m/min  
Transmission on right side  
Fixed speed\*  
Without motor (ISO) **XHEC**  
Without motor (ANSI) **XHEC 0 HR**  
**XHEC 0 HRA**

Maximum traction force: 1250 N. See page 22.  
\*Use online configurator when ordering.  
Effective track length: 1,35 m

## S-Transfer

**S-Transfer**

S-transfer for return chain  
for XH **XHCY D**

Effective track length: 3,3 m

## Idler units XH

**Idler end unit**

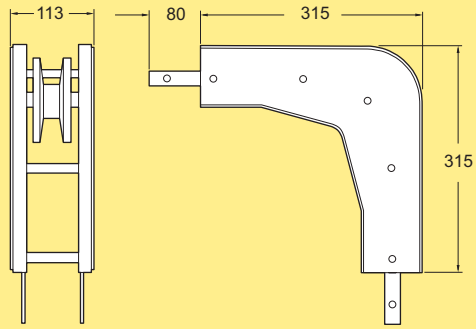
Idler end unit **XHEJ 325**

Effective track length: 0,80 m

**Protective cover for idler end unit**

Protective cover for idler end unit **XHSJ 195**

**Idler bend unit, 90°**



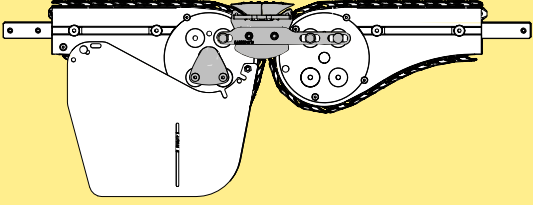
Idler bend unit, 90°

**XHEK 90R50**

*Effective track length: 0,65 m.*

*Note. Cannot be used with return chain.*

**Passive bridge from conveyor to conveyor**

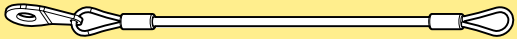


*Passive bridge\** **XHNG**

From: Heavy Drive To: Heavy Idler

*\* Use online configurator when ordering.*

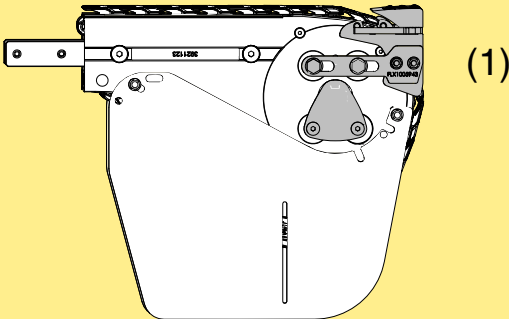
**Attachment wire**



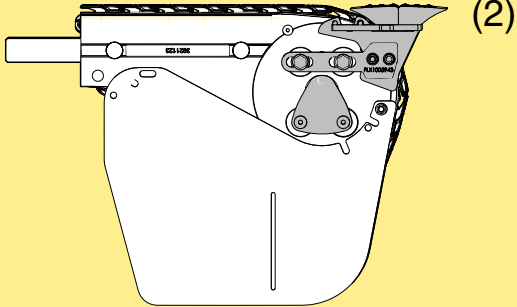
Wire for attaching roller to holder **FLX1006041**

*\*Also available as a configuration option through XHNG.*

**Passive bridge to or from machine or application, Single or double rollers**



(1)



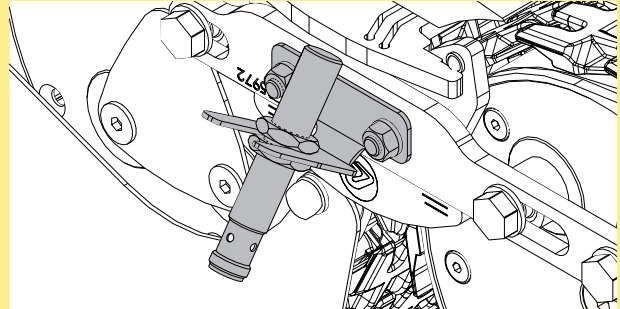
(2)

*Passive bridge\**  
Single roller (1) or Double roller (2) **XHNG**

From: Heavy Drive To: External  
External To: Heavy Idler

*\* Use online configurator when ordering.*

**Sensor Kit**



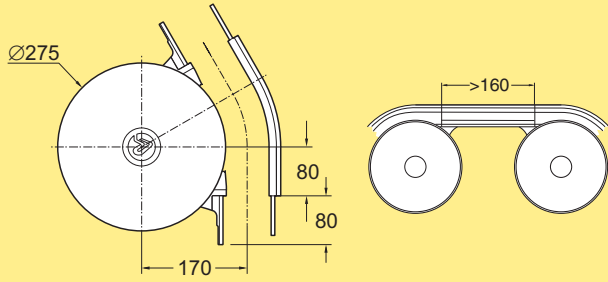
Bridge in position sensor kit  
Conveyor to conveyor **FLX1006042**  
External to/from Conveyor **FLX1006044**

*\*Also available as a configuration option through XHNG.  
Includes: Bracket & PNP sensor (NO), M12xL=70mm, M12 connector. No cables.*

*\*Note*  
Bridges can not be used with cleated chain.

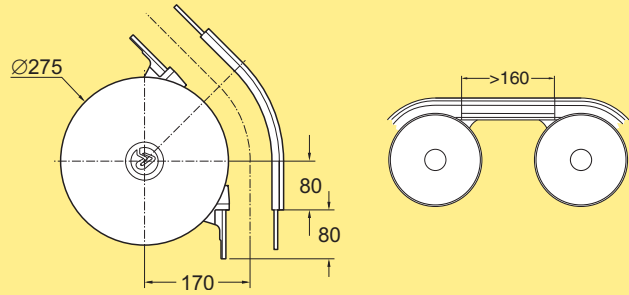
# Wheel bends XH

## Wheel bend, 30°



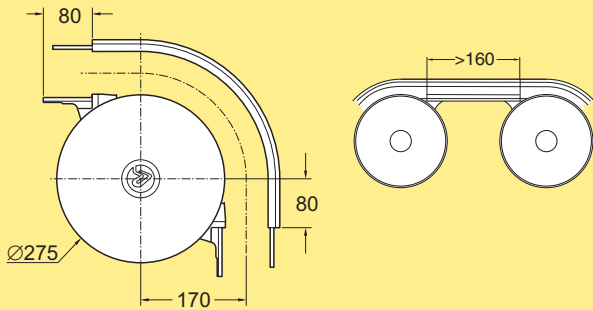
Wheel bend, 30° **XHBH 30R170 A**  
Effective track length: 0,25 m 1-way (0,50 m 2-way)

## Wheel bend, 45°



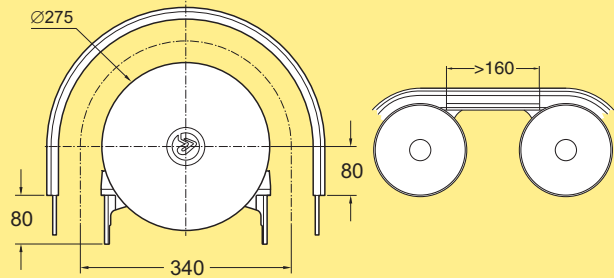
Wheel bend, 45° **XHBH 45R170 A**  
Effective track length: 0,30 m 1-way (0,60 m 2-way)

## Wheel bend, 90°



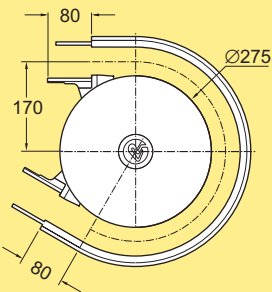
Wheel bend, 90° **XHBH 90R170 A**  
Effective track length: 0,40 m 1-way (0,80 m 2-way)

## Wheel bend, 180°



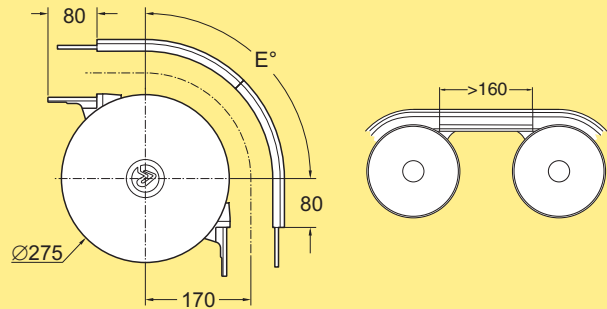
Wheel bend, 180° **XHBH 180R170 A**  
Effective track length: 0,65 m 1-way (1,30 m 2-way)

## Wheel bend, 210°



Wheel bend, 210° **XHBH 210R170 A**  
Effective track length: 0,80 m 1-way (1,60 m 2-way)

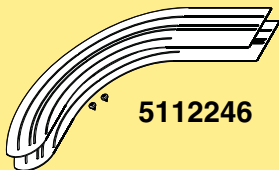
## Wheel bend, 30°–180°



Wheel bend, 30°–180° **XHBH ER170 A**  
*The outer bend is cut in the middle to the desired angle and assembled using connecting strips. The angle "E" must be specified when ordering.*

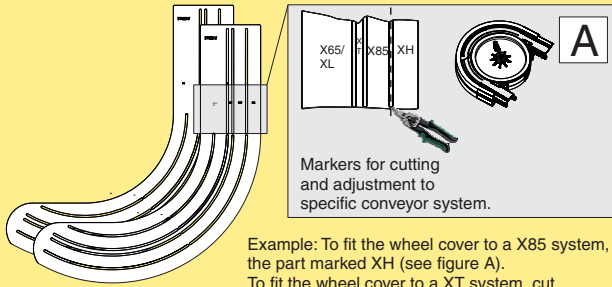
# Wheel cover for Wheel bend

**Wheel cover for X65/XL, XT, X85, XH**



**5112246**

Wheel cover for X65/XL, XT, X85, XH **5112246**  
 (Including one pair of Wheel cover 5112244 and 2 tap screw ISO 7049 4,2x6,5-C-H-A2K)

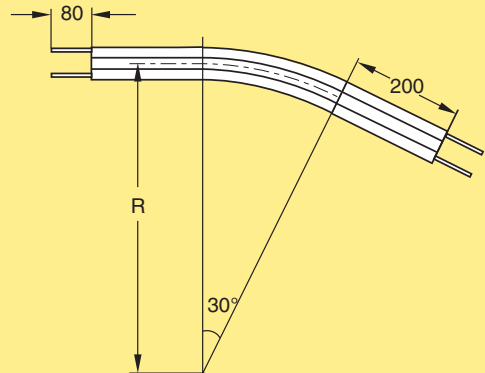


Markers for cutting and adjustment to specific conveyor system.

Example: To fit the wheel cover to a X85 system, cut the part marked XH (see figure A).  
 To fit the wheel cover to a XT system, cut the parts marked X85 and XH.

## Plain bends XH

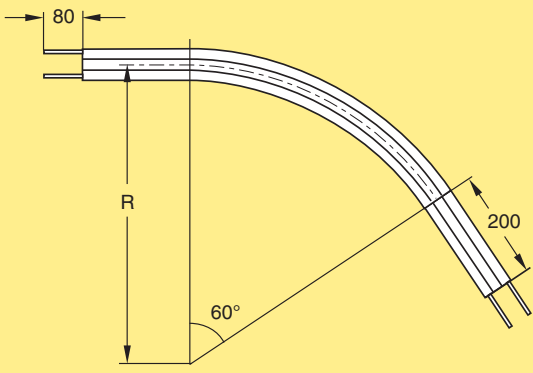
**Plain bend, 30°**



Plain bend, 30°±1°  
 R=500±10 mm **XHBP 30R500**  
 R=700±10 mm **XHBP 30R700**  
 R=1000±10 mm **XHBP 30R1000**

*Effective track lengths:*  
 R500: 0,70 m 1-way (1,35 m 2-way)  
 R700: 0,80 m 1-way (1,55 m 2-way)  
 R1000: 0,95 m 1-way (1,85 m 2-way)

**Plain bend, 60°**



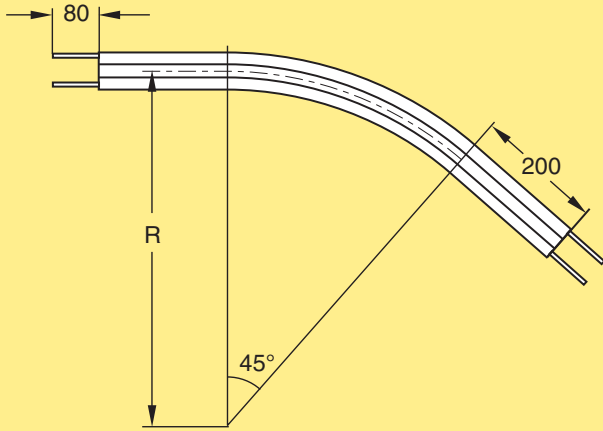
Plain bend, 60°±1°  
 R=500±10 mm **XHBP 60R500**  
 R=700±10 mm **XHBP 60R700**  
 R=1000±10 mm **XHBP 60R1000**

*Effective track lengths:*  
 R500: 0,95 m 1-way (1,85 m 2-way)  
 R700: 1,15 m 1-way (2,30 m 2-way)  
 R1000: 1,45 m 1-way (2,90 m 2-way)

PO  
 CC  
 X45  
 XS  
 X65  
 X65P  
 X85  
 X85P  
**XH**  
 XK  
 XKP  
 X180  
 X300  
 GR  
 CS  
 XT  
 HU  
 WL  
 WK  
 XC  
 XF  
 XD  
 ELV  
 SC  
 FST  
 TR  
 APX  
 IDX

## Plain bends XH (continued)

### Plain bend, 45°



Plain bend, 45°±1°

R=500±10 mm

R=700±10 mm

R=1000±10 mm

**XHBP 45R500**  
**XHBP 45R700**  
**XHBP 45R1000**

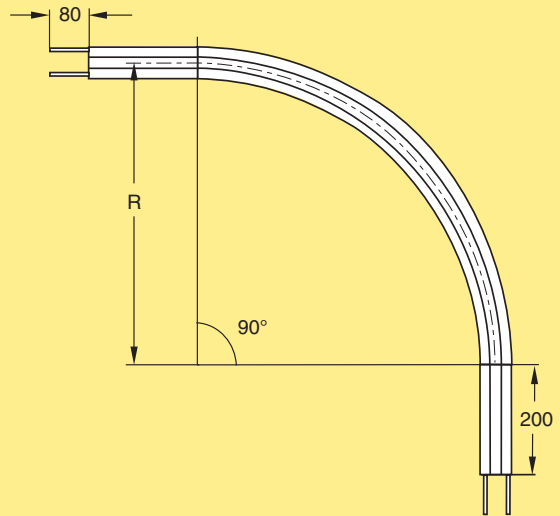
*Effective track lengths:*

*R500: 0,80 m 1-way (1,60 m 2-way)*

*R700: 0,95 m 1-way (1,90 m 2-way)*

*R1000: 1,20 m 1-way (2,40 m 2-way)*

### Plain bend, 90°



Plain bend, 90°±1°

R=500±10 mm

R=700±10 mm

R=1000±10 mm

**XHBP 90R500**  
**XHBP 90R700**  
**XHBP 90R1000**

*Effective track lengths:*

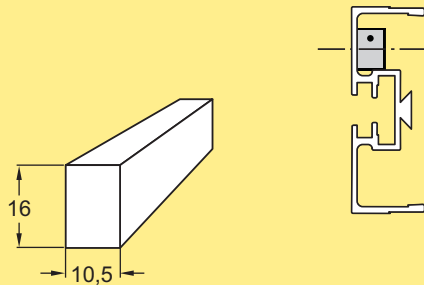
*R500: 1,20 m 1-way (2,40 m 2-way)*

*R700: 1,50 m 1-way (3,00 m 2-way)*

*R1000: 2,00 m 1-way (3,95 m 2-way)*

## Support rail for plain bends XH

### Support rail for plain bends



Support rail for plain bends, XH

Length 2,4 m

**5048598**

*Fix with sheet metal screw ISO 7049 4,2x9,5 or similar.  
 See page 525 for installation instructions.*

**Vertical bend, 5°**

Vertical bend, 5° **XHBV 5R400**  
 Effective track length: 0,20 m 1-way (0,40 m 2-way)

**Vertical bend, 45°**

Vertical bend, 45°  
 R= 400, A=419, B=174 **XHBV 45R400**  
 R=1000, A=844, B=349 **XHBV 45R1000**  
 Effective track length:  
 R400: 0,50 m 1-way (0,95 m 2-way)  
 R1000: 0,95 m 1-way (1,90 m 2-way)

**Vertical bend, 7°**

Vertical bend, 7° **XHBV 7R400**  
 Effective track length: 0,20 m 1-way (0,45 m 2-way)

**Vertical bend, 60°**

Vertical bend, 60° **XHBV 60R400**  
 Effective track length: 0,65 m 1-way (1,20 m 2-way)

**Vertical bend, 15°**

Vertical bend, 15° **XHBV 15R400**  
 Effective track length: 0,30 m 1-way (0,55 m 2-way)

**Vertical bend, 90°**

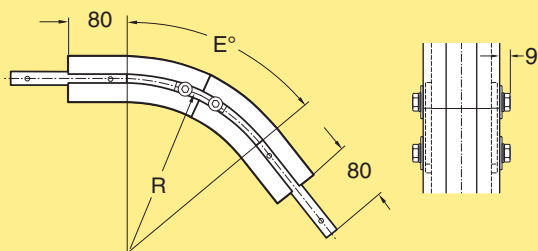
Vertical bend, 90°  
 R= 400, A= 480 **XHBV 90R400**  
 R=1000, A=1080 **XHBV 90R1000**  
 Effective track length:  
 R400: 0,85 m 1-way (1,60 m 2-way)  
 R1000: 1,75 m 1-way (3,50 m 2-way)

**Vertical bend, 30°**

Vertical bend, 30° **XHBV 30R400**  
 Effective track length: 0,40 m 1-way (0,75 m 2-way)

## Vertical bends XH (continued)

### Vertical bend, 5°–90°



Vertical bend, 5°–90°

R=400

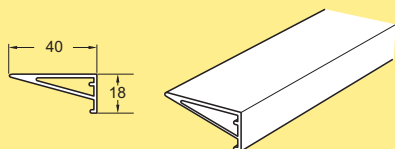
R=1000

**XHBV ER400**  
**XHBV ER1000**

*The bend is cut in the middle to the desired angle and assembled using connecting strips. The angle "E" must be specified when ordering.*

## Angle plates XH

### Angle plate, straight



Angle plate  
Length 3 m

**XHRP 3**

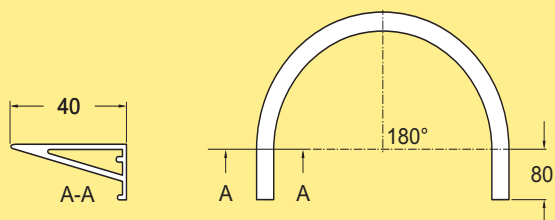
### Angle plate for 90° bend



Angle plate for 90° bend  
Used with XHBH 90R170  
Inner radius 222,5 mm

**XHRM 90**

### Angle plate for 180° bend



Angle plate for 180° bend  
Used with XHBH 180R170 and  
XHEW 180/5 H  
Inner radius 222,5 mm

**XHRM 180**

**Front piece**

Front piece  
Length 3 m

**XHVF 3**

**Sliding strip for front piece**

Sliding strip for front piece  
Length 2 m

**XHVG 2**

**Linkage kit for front piece**

Linkage kit  
W=190, D=43  
W=290, D=93

**XHVK 43**  
**XHVK 93**

*Kit consists of two support pairs.*

**Bend support for front piece**

Bend support  
D=43 mm  
D=93 mm

**XHVS 43**  
**XHVS 93**

**Front piece upper bend**

Upper bend, 60°

**XHVA 60R460**

*Includes connecting strip with screws*

**Front piece lower bend**

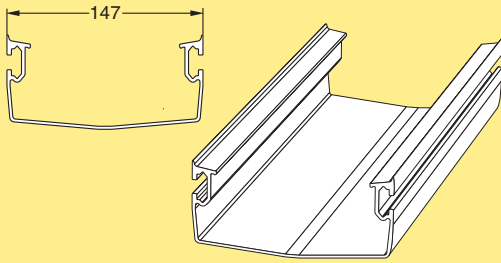
Lower bend, 60°

**XHVB 60R335**

*Includes connecting strip with screws*

## Drip trays XH

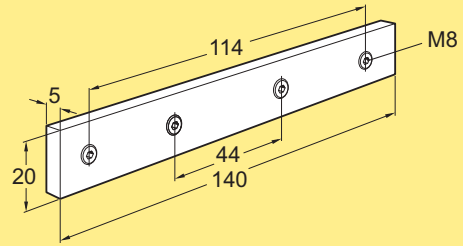
### Drip tray



Drip tray  
Length 3 m

**XHDT 3×147 B**

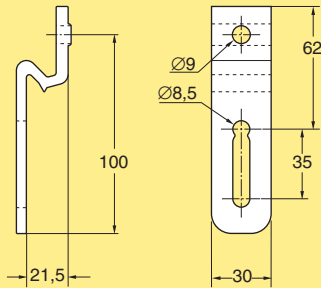
### Connecting strip



Connecting strip with set screws **XLCJ 5×140**

*Note. Contains 10 pcs.*

### Drip tray bracket

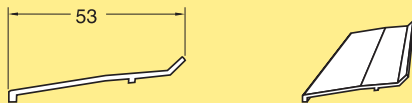


Drip tray bracket

**XLDB 21×100**

## Drip catchers XH

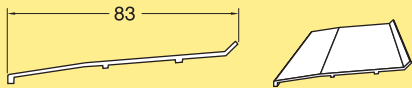
### Drip catcher 53 mm



Drip catcher 53 mm  
Length 3 m

**XHDS 3×53**

### Drip catcher 83 mm



Drip catcher 83 mm  
Length 3 m

**XHDS 3×83**