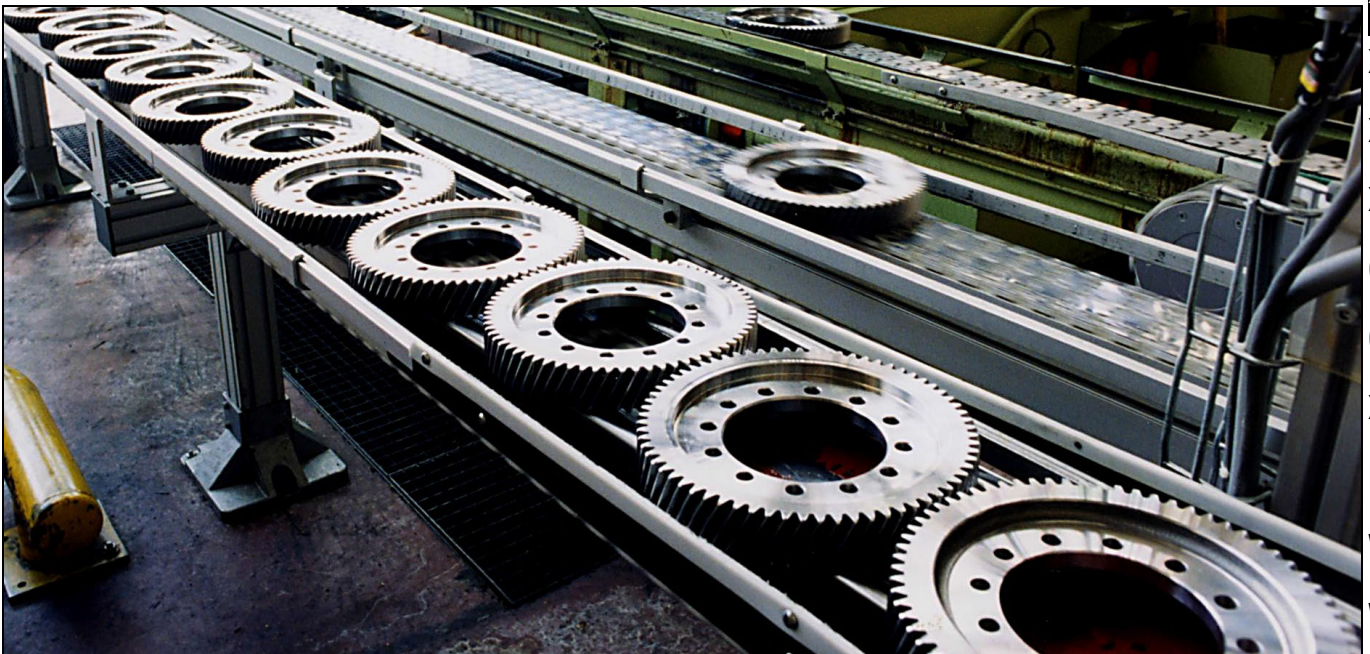


Conveyor system XK

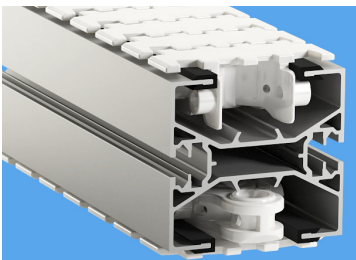
Contents

System information.....	237	Transfers.....	249		PO
Conveyor modules.....	238	X-Bends.....	249		CC
Chains XK.....	239	Support components for X-bends.....	249		X45
Chain accessories XK.....	240	S-Transfer.....	249		XS
Beams XK.....	240	Idler units XK.....	250		
Beam accessories XK.....	241	Wheel bends XK.....	250		X65
Slide rails XK.....	241	Wheel cover for Wheel bend.....	251		X65P
Slide rails, hardened steel XK.....	243	Plain bends XK.....	251		
Drive and idler units – introduction.....	245	Vertical bends XK.....	252		X85
End drive units XK.....	246	Angle plates XK.....	253		
End drive units XK, direct drive with slip clutch.....	247	Front piece XK.....	254		X85P
Catenary drive units XK.....	247	Drip trays XK.....	255		
Wheel bend drive unit XK.....	248	Drip catchers XK.....	255		XH
S-Transfer.....	248				XK

System information



Chain width 102 mm



Features

Suitable for larger items, especially if point of balance is somewhat offcenter. Higher capacity than other types. Includes components for pallet handling.

Examples of application areas

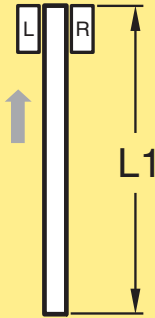
Ball and roller bearings, heavy boxes, gear wheels, motor parts on pallets, disk brakes, hydraulic pumps.

Technical characteristics

Drive unit capacity.....	2500 N	
Chain tension limit.....	2500 N	
Beam width.....	105 mm	
Chain width.....	102 mm	
Chain pitch.....	38,1 mm	
Item width.....	50–300 mm	
Maximum item weight		
Horizontal transport.....	30 kg	
Vertical transport.....	15 kg	
Maximum weight on conveyor.....	800 kg	
Maximum conveyor length.....	40 m	
Maximum permitted load per link.....	5,0 kg	

Conveyor modules

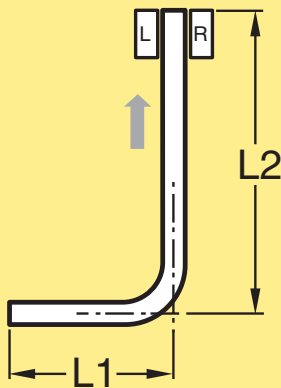
Straight conveyor



Conveyor module – straight * **5990226**

**Use online configurator when ordering*

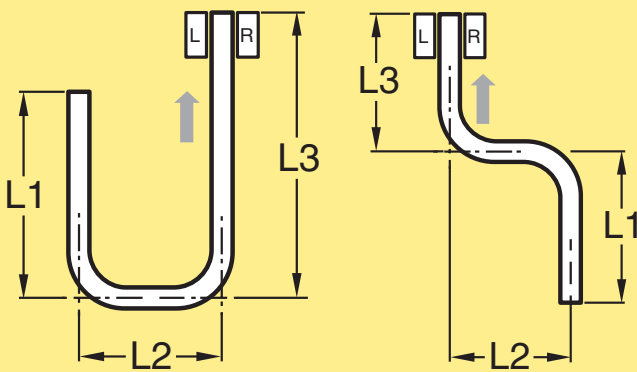
One bend conveyor



Conveyor module – one bend * **5990230**

**Use online configurator when ordering*











Two bend conveyor



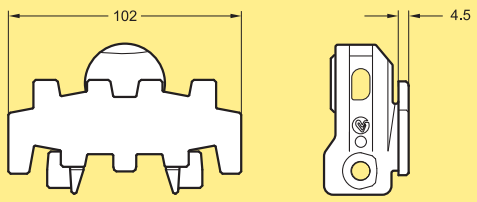
Conveyor module – two bends * **5990237**

**Use online configurator when ordering*

Support modules – single and multi-lane

	5995387	Single diecast
	5995388	Single end adjustable
	5995389	Single end guide roller
	5995390	Single foot plate
	5995393	Multi single 2 lane
	5995394	Multi single 3 lane
	5995395	Multi single 4 lane
	5995396	Multi double 2 lane
	5995397	Multi double 3 lane
	5995398	Multi double 4 lane

Plain chain



Plain chain
Length 5 m **XKTP 5**

Plain link kit * **5056639**

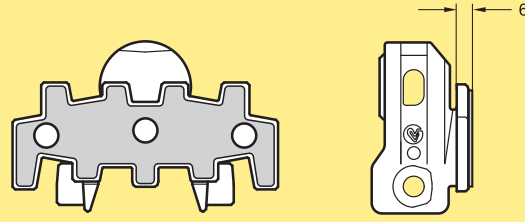
Plain chain (Ultra low wear)
Length 5 m **XKTP 5 C**

Plain link (Ultra low wear) **n.a.**

Note. This chain must not be used in pallet applications. For this, please use closed top chain XKTP 5 K.

**Link kit contains 10 links, 10 pivots, 10 steel pins*

Steel top chain

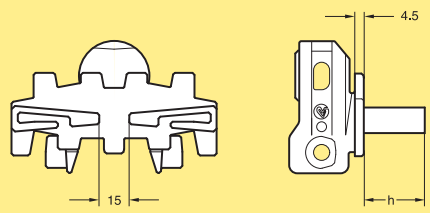


Steel top chain
Length 5 m **XKTP 5 TF**

Steel top link kit * **5056644**

**Link kit contains 10 links, 10 pivots, 10 steel pins*

Cleated chain, Type A



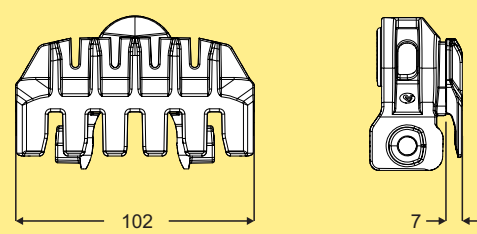
Cleated chain
Type A cleats
Length 5 m
h=15 mm **XKTF 5x15 A**
h=20 mm **XKTF 5x20 A**
h=30 mm **XKTF 5x30 A**
h=40 mm **XKTF 5x40 A**

Use the online configurator to specify and order.

Cleated link kit *
h=15 mm **5056645**
h=20 mm **5056646**
h=30 mm **5056647**
h=40 mm **5056648**

**Link kit contains 10 links, 10 pivots, 10 steel pins*

Plain chain

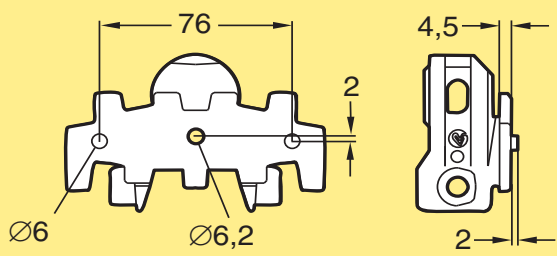


Plain chain
Length 5 m **XKTP 5 K**

Plain chain link kit * **FLX1003736**

**Link kit contains 10 links, 10 pivots, 10 steel pins*

Universal chain



Universal chain
Length 5 m **XKTF 5 U**

Use the online configurator to specify and order.

Universal link kit * **5056642**

The link has a hole for an M6 screw. M6 nut will fit inside the link.

**Link kit contains 10 links, 10 pivots, 10 steel pins*

Other chains
See the *Chain guide* for a selection of other chains.

Chain installation
See Appendix "D. Chain installation" on page 530, for installation instructions.

Chain accessories XK

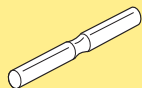
Plastic pivot



Plastic pivot, kit (25 pcs) XK

5111497

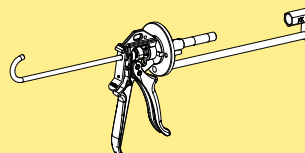
Steel pin



Steel pin, kit (25 pcs) XK

5111498

Pin insertion tool for chain

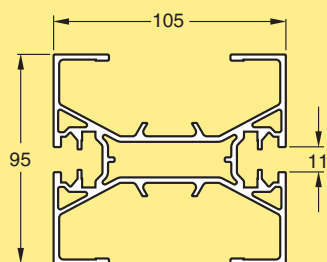


Pin insertion tool XK

XKMJ 8 P

Beams XK

Conveyor beam, standard



Beam, standard

Length 3000 +10/-0 mm

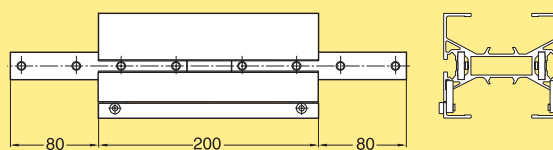
Length to order (30- 3000 mm)

XKCB 3

XKCB L

Slide rail: see page 241

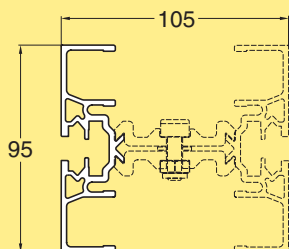
Beam section for chain installation



Beam section for chain installation **XKCC 200 A**

Including connecting strips and screws

Profile for split conveyor beam



Profile for split conveyor beam

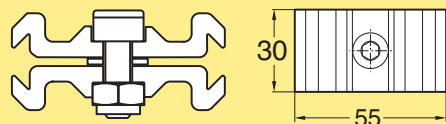
Length 3000 +10/-0 mm

Length to order (30- 3000 mm)

XKCB 3 H

XKCB L H

Beam clip assembly



Beam clip assembly

XKCE 55x30

Including M8 screw and locking nut. Use minimum 5 clips per meter. Place clips 100 mm from each end.

Connecting strip with set screws

Connecting strip with set screws
 $h=25, a=44, b=44, L=160$
XLCJ 6x160
Note. Contains 10 pcs.

Cover strip for T-slot, aluminium

Cover strip for T-slot
 Aluminium, anodized
 Length 2 m
XCAC 2
Note! Can't be used with bends

Cover strip for T-slot, PVC

Cover strip for T-slot
 Grey PVC
 Length 3 m
XCAC 3 P
Note! Can't be used with bends

Beam spacer

XS	X65	X85/XH	XK
$h=16,0\text{ mm}$	$h=15,9\text{ mm}$	$h=10,5\text{ mm}$	$h=0,5\text{ mm}$

Beam spacer
 Aluminium, anodized
 Length 3 m
XLCD 3
For connection of two conveyor beams side to side. Use M8 screw and slot nut. Two holes must be drilled, one through the spacer (9 mm) and one through the beam, to allow insertion of the screw. The diameter of the second hole depends on the size of the screw head.

Cover strip for T-slot, PVC

Cover strip for T-slot
 Length 25 m
 Grey PVC
XCAC 25 P

Slide rails XK

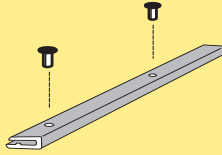
Plastic slide rails for XK beams

Slide rail
 Length 25 m
 PVDF ($\mu=0,15-0,35$) (Natural white) **XWCR 25 P**
 (t=2,5)
 UHMW-PE ($\mu=0,1-0,25$) (White) **XKCR 25 U**
 (t=2,6)
 PA-PE ($\mu=0,1-0,25$) (Grey) **XKCR 25 H**
 (t=2,45)
See Appendix A, page 521 for selection guidelines and assembly instructions.

Plastic screws for slide rail

Plastic screws 5 mm for XK beams **XWAG 5**
Note. Contains 50 pcs.

Aluminium rivets



Aluminium rivets 4 mm for XK-X180/X300 conveyors, brown

XLAH 4x7

*Extra slide rail in plain bends must be anchored using plastic screws due to lack of space for the rivet crimping tool.
Note. Contains 250 pcs..*

Rivet crimping pliers

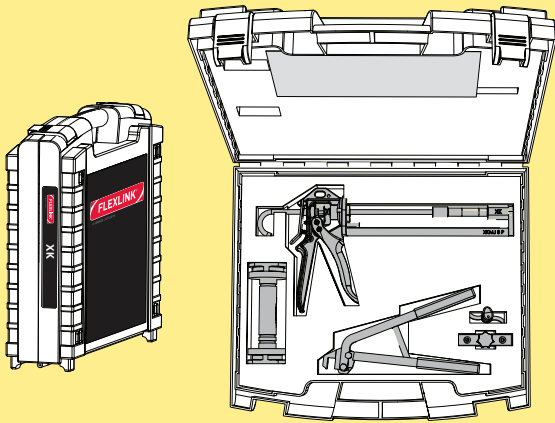


Rivet crimping pliers for X65-X85-XH-XK-X180/X300

For 4 mm rivets

5051395

Toolbox for assembly and maintenance (XK)



Toolbox

FLX1007289

Contains:

Pin insertion tool (chain)

XKMJ 8 P

Mounting tool (slide rail)

XKMR 200

Rivet crimping pliers 4 mm (slide rail)

5051395

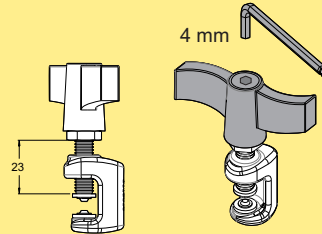
Rivet crimping clamp 4 mm (slide rail)

3923005

Drill fixture 4 mm (slide rail)

3920500

Rivet crimping clamp



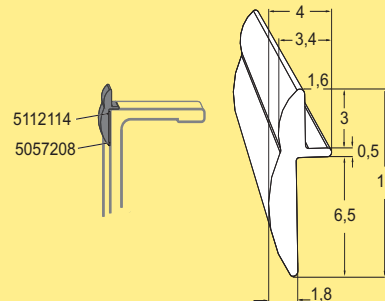
Rivet crimping clamp for X65-X85-XH-XK-X180/X300

For 4 mm rivets

(Allen key not included)

3923005

Cover strip



Cover strip

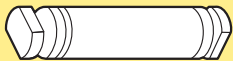
Length: 3 m

Material: Plastic PA 12

5112114

Cover the opening on the side between the chain and beam. Primarily for straight sections and the outer curves, but can also be mounted on inner curves. Apply using a double-sided tape, see mounting instruction 5497EN in Technical library.

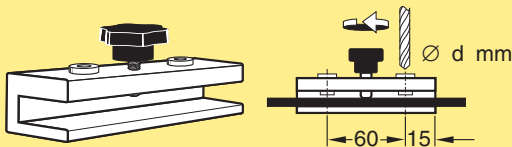
Mounting tool for slide rail



Mounting tool for slide rail XK

XKMR 200

Drill fixture for slide rail

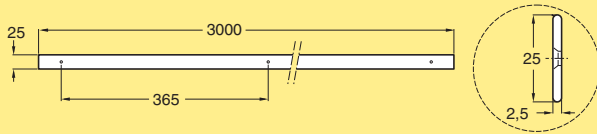


Drill fixture for X65-X85-XH-XK-X180/X300 slide rail

d=4,2 mm

3920500

Straight slide rails for XK beams – hardened steel



Slide rail, hardened steel

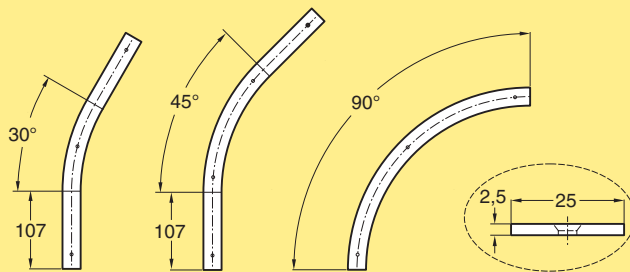
Length 3 m

XKCR 3 TH

With 9 predrilled holes.

See Appendix B, page 528 for assembly instructions.

Slide rails for XK bends – hardened steel



Slide rail for bends, hardened steel

For 30° wheel bend

XKCR W30 TH

For 45° wheel bend

XKCR W45 TH

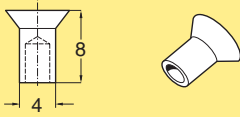
For 90° and 180° wheel bends

XKCR W90 TH

For 180° bends: use two 90° slide rails.

See Appendix B, page 528 for assembly instructions.

Brass rivets

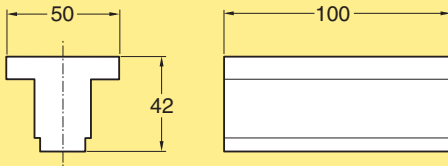


Brass rivets (100 pcs)

5056167

*Rivets for anchoring the slide rails
See Appendix B, page 528 for assembly instructions.*

Slide rail fixture



Slide rail fixture

5056186

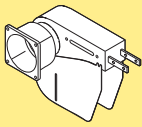
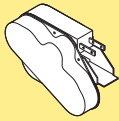
*The fixture is used when anchoring the slide rail. Two fixtures are required.
See Appendix B, page 528 for assembly instructions.*

Drive unit types

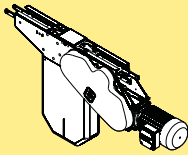
The XK systems consist of several configurations, including direct driven units as well as driven units with suspended motor and transmission chain.

Available motors include variable speed types (V) as well as fixed speed motors (F).

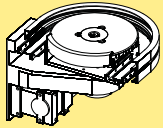
End drive units

Size	Direct drive, slip clutch	Suspended motor, transmission chain, slip clutch
		
Heavy	F, V	F
Heavy	-	F

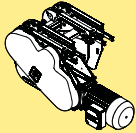
Catenary drive units

Size	Suspended motor, transmission chain, slip clutch
	
Heavy	F
Heavy	F

Wheel bend drive units

Size	Suspended motor, transmission chain, slip clutch
	
Heavy	F

Double drive units

Size	Suspended motor, transmission chain, slip clutch
	
Heavy	F

Motor specifications

Motors are available for 230/400 V, 50 Hz and 230/460 V, 60 Hz. Variable speed motors are SEW Movimot, 380–500 V. Note that variable speed motors include a control box that adds 120 mm to the width of the motor.

IP55 available with standard oil.

IP65 available with food grade oil.

Ordering information

Drive units with motors must be specified using the web-based configurator. The configurator provides detailed information and step-by-step guidance in the specification process. A product code string is generated, containing the specification details. See next page for examples of code strings.

Drive units *without* motors can be ordered using the designations in the catalogue.

Dimension

Note that dimensions relating to drive unit motors depend on the motor specified during the configuration.

PO

CC

X45

XS

X65

X65P

X85

X85P

XH

XK

XKP

X180

X300

GR

CS

XT

HU

WL

WK

XC

XF

XD

ELV

SC

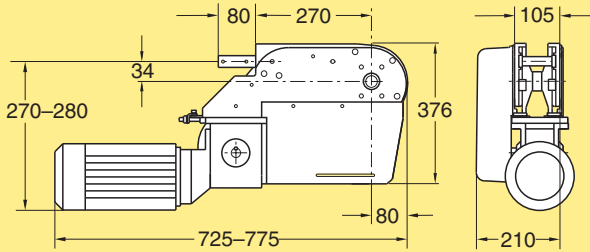
FST

TR

APX

IDX

End drive unit, suspended motor, slip clutch

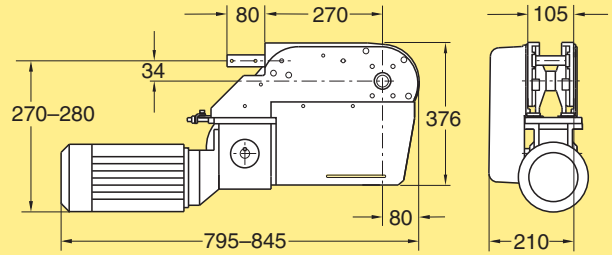


End drive unit
Suspended motor
Fixed speed up to 60 m/min
Transmission on left side
Fixed speed *
Without motor (ISO)
Without motor (ANSI)

XKEB
XKEB 0 L
XKEB 0 LA

Maximum traction force: 1250 N. See page 22.
*Use online configurator when ordering.
Effective track length: 0,85 m

End drive unit, suspended motor, slip clutch

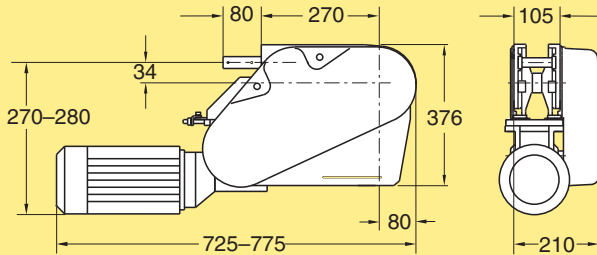


End drive unit, high capacity
Suspended motor
Fixed speed up to 25 m/min
Transmission on left side
Fixed speed *
Without motor (ISO)
Without motor (ANSI)

XKEB
XKEB 0 HL
XKEB 0 HLA

Maximum traction force: 2500 N. See page 22.
Effective track length: 0,85 m
*Use online configurator when ordering.
Note! Only motors with brakes can be selected

End drive unit, suspended motor, slip clutch

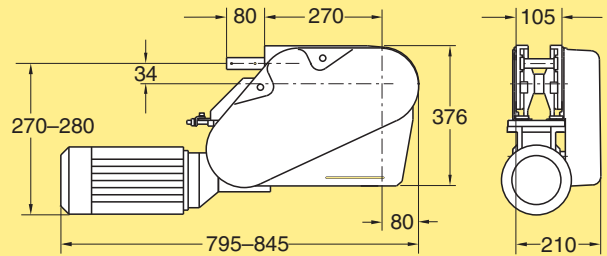


Drive unit
Suspended motor
Fixed speed up to 60 m/min
Transmission on right side
Fixed speed *
Without motor (ISO)
Without motor (ANSI)

XKEB
XKEB 0 R
XKEB 0 RA

Maximum traction force: 1250 N. See page 22.
*Use online configurator when ordering.
Effective track length: 0,85 m

End drive unit, suspended motor, slip clutch



End drive unit, high capacity
Suspended motor
Fixed speed up to 25 m/min
Transmission on right side
Fixed speed *
Without motor (ISO)
Without motor (ANSI)

XKEB
XKEB 0 HR
XKEB 0 HRA

Maximum traction force: 2500 N. See page 22.
Effective track length: 0,85 m
*Use online configurator when ordering.
Note! Only motors with brakes can be selected

End drive unit, direct drive with slip clutch

End drive unit, direct drive
 Fixed speed up to 60 m/min
 Variable speed: see *Drive Unit Guide*
 Motor on left side
 Fixed/variable speed *
 Without motor

XKEB
XKEB 0 LP

Maximum traction force: 1250 N. See page 22.
**Use online configurator when ordering.*
Effective track length: 0,80 m

End drive unit, direct drive with slip clutch

End drive unit, direct drive
 Fixed speed up to 60 m/min
 Variable speed: see *Drive Unit Guide*
 Motor on right side
 Fixed/variable speed *
 Without motor

XKEB
XKEB 0 RP

Maximum traction force: 1250 N. See page 22.
**Use online configurator when ordering.*
Effective track length: 0,80 m

Catenary drive units XK

Catenary drive unit, suspended

Catenary drive unit
 Suspended motor
 Fixed speed up to 30 m/min
 Transmission on left side
 Fixed speed*
 Without motor (ISO)
 Without motor (ANSI)

XKEC
XKEC 0 L
XKEC 0 LA

Maximum traction force: 1250 N. See page 22.
**Use online configurator when ordering.*
Effective track length: 1,60 m

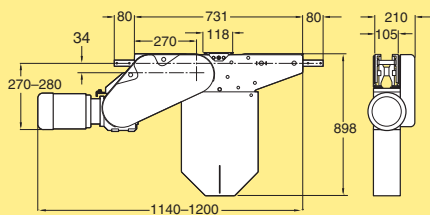
Catenary drive unit, suspended

Catenary drive unit, high capacity
 Suspended motor
 Fixed speed up to 25 m/min
 Transmission on left side
 Fixed speed*
 Without motor (ISO)
 Without motor (ANSI)

XKEC
XKEC 0 HL
XKEC 0 HLA

Maximum traction force: 2500 N. See page 22.
Effective track length: 1,60 m
**Use online configurator when ordering.*
Note! Only motors with brakes can be selected

Catenary drive unit, suspended



Catenary drive unit
Suspended motor
Fixed speed up to 30 m/min
Transmission on right side
Fixed speed*
Without motor (ISO)
Without motor (ANSI)

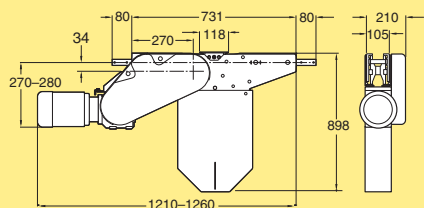
XKEC
XKEC 0 R
XKEC 0 RA

Maximum traction force: 1250 N. See page 22.

* Use online configurator when ordering.

Effective track length: 1,60 m

Catenary drive unit, suspended



Catenary drive unit, high capacity
Suspended motor
Fixed speed up to 25 m/min
Transmission on right side
Fixed speed*
Without motor (ISO)
Without motor (ANSI)

XKEC
XKEC 0 HR
XKEC 0 HRA

Maximum traction force: 2500 N. See page 22.

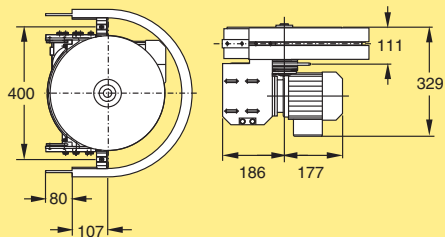
Effective track length: 1,60 m

* Use online configurator when ordering.

Note! Only motors with brakes can be selected

Wheel bend drive unit XK

Wheel bend drive unit, 180°



Wheel bend drive unit, 180°
Fixed speed up to 30 m/min
Fixed speed*
Without motor (ISO)
Without motor (ANSI)

XKEW
XKEW 180/0
XKEW 180/0 A

Maximum traction force: 200 N. See page 22.

* Use online configurator when ordering.

Effective track length: 0,85 m

X-Bends

X-Bend

X-bend for top chain
For optional mounting of Idler end unit or Drive unit at the end (A) or (B)
XKCX 105 R
Effective track length: 3,3 m
Note! Special arrangement for connecting beam support brackets

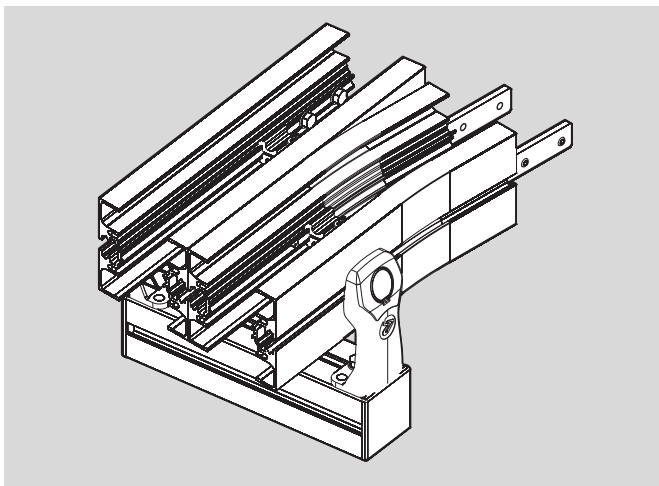
X-Bend

X-bend for top chain
For optional mounting of Idler end unit or Drive unit at the end (A) or (B)
XKCX 105 L
Effective track length: 3,3 m
Note! Special arrangement for connecting beam support brackets

Support components for X-bends

X-bends must have a special arrangement for connecting beam support brackets. See example in figure below.

Read more about beam support brackets on page 335.



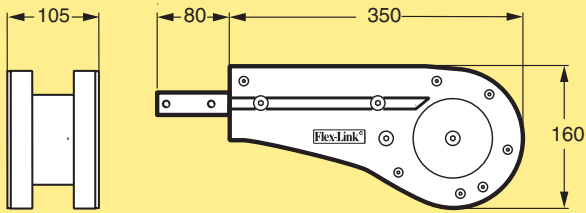
S-Transfer

S-Transfer

S-transfer for return chain
for XK
XKCY D
Effective track length: 3,3 m

Idler units XK

Idler end unit

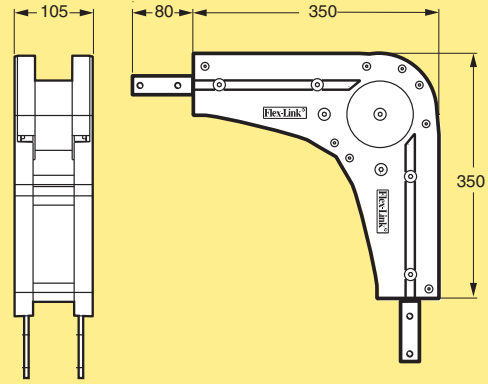


Idler end unit

XKEJ 350

Effective track length: 0,85 m

Idler bend unit, 90°



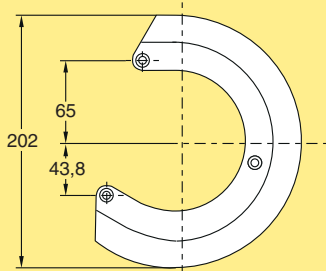
Idler bend unit, 90°

XKEK 90R70

Effective track length: 0,70 m

Note. Cannot be used with return chain

Protective cover for idler end unit

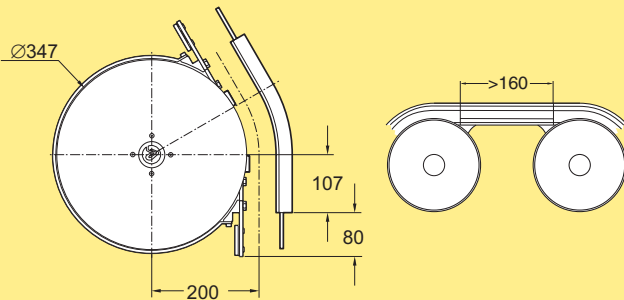


Protective cover for idler end unit

XKSJ 202

Wheel bends XK

Wheel bend, 30°

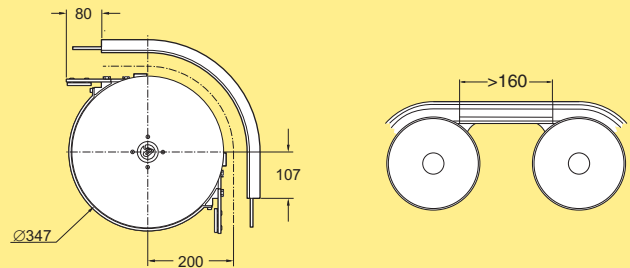


Wheel bend, 30°

XKBH 30R200

Effective track length: 0,35 m 1-way (0,65 m 2-way)

Wheel bend, 90°

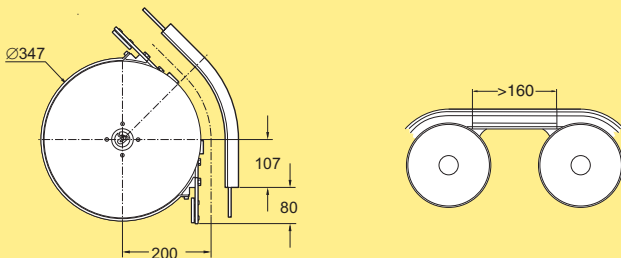


Wheel bend, 90°

XKBH 90R200

Effective track length: 0,55 m 1-way (1,10 m 2-way)

Wheel bend, 45°

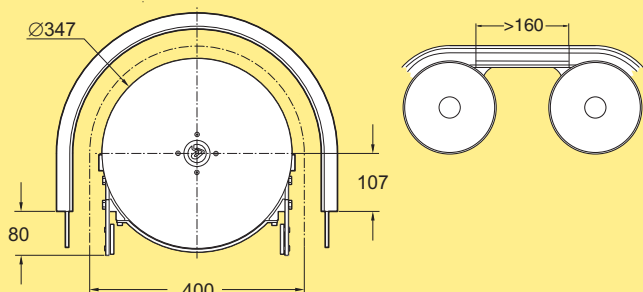


Wheel bend, 45°

XKBH 45R200

Effective track length: 0,40 m 1-way (0,75 m 2-way)

Wheel bend, 180°

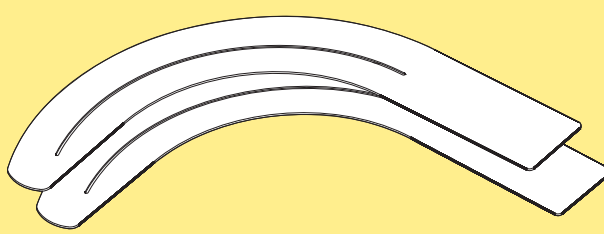


Wheel bend, 180°

XKBH 180R200

Effective track length: 0,85 m 1-way (1,70 m 2-way)

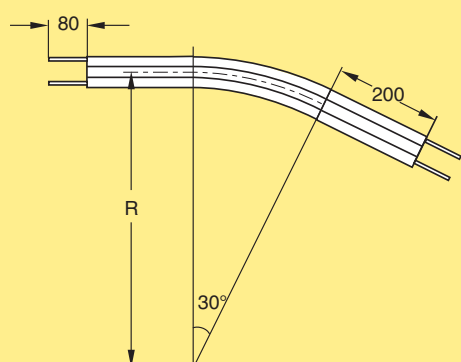
Wheel cover for XK



Wheel cover for XK **5112250**
 (Including one pair of Wheel cover 5112247 and 2 tap screw ISO 7049 4,2x6,5-C-H-A2K)

Plain bends XK

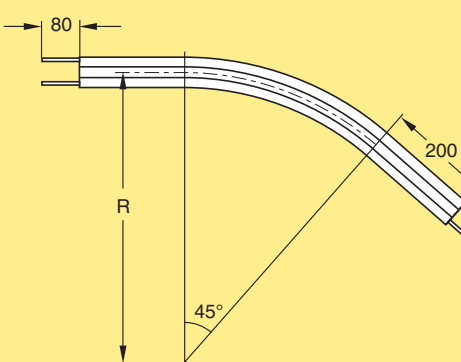
Plain bend, 30°



Plain bend, 30°±1°
 R=500±10 mm **XKBP 30R500**
 R=700±10 mm **XKBP 30R700**
 R=1000±10 mm **XKBP 30R1000**

Effective track lengths:
 R500: 0,70 m 1-way (1,35 m 2-way)
 R700: 0,80 m 1-way (1,55 m 2-way)
 R1000: 0,95 m 1-way (1,85 m 2-way)

Plain bend, 45°

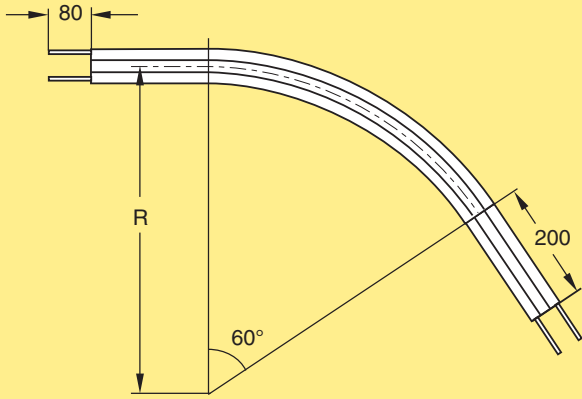


Plain bend, 45°±1°
 R=500±10 mm **XKBP 45R500**
 R=700±10 mm **XKBP 45R700**
 R=1000±10 mm **XKBP 45R1000**

Effective track lengths:
 R500: 0,80 m 1-way (1,60 m 2-way)
 R700: 0,95 m 1-way (1,90 m 2-way)
 R1000: 1,20 m 1-way (2,40 m 2-way)

Plain bends XK (continued)

Plain bend, 60°



Plain bend, 60°±1°

R=500±10 mm

R=700±10 mm

R=1000±10 mm

XKBP 60R500

XKBP 60R700

XKBP 60R1000

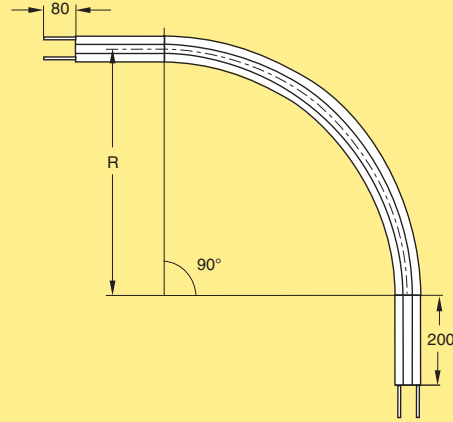
Effective track lengths:

R500: 0,95 m 1-way (1,85 m 2-way)

R700: 1,15 m 1-way (2,30 m 2-way)

R1000: 1,45 m 1-way (2,90 m 2-way)

Plain bend, 90°



Plain bend, 90°±1°

R=500±10 mm

R=700±10 mm

R=1000±10 mm

XKBP 90R500

XKBP 90R700

XKBP 90R1000

Effective track lengths:

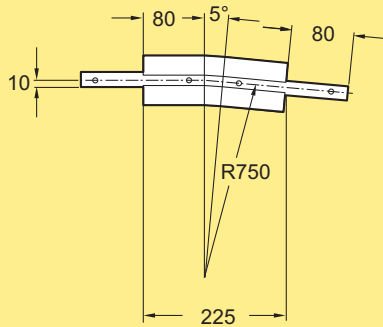
R500: 1,20 m 1-way (2,40 m 2-way)

R700: 1,50 m 1-way (3,00 m 2-way)

R1000: 2,00 m 1-way (3,95 m 2-way)

Vertical bends XK

Vertical bend, 5°

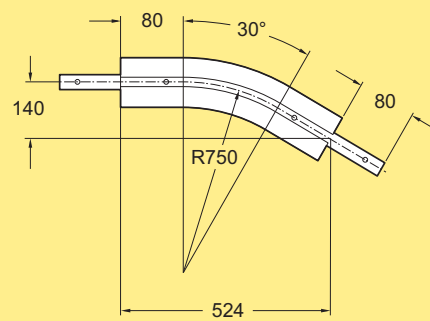


Vertical bend, 5°

XKBV 5R750

Effective track length: 0,25 m 1-way (0,50 m 2-way)

Vertical bend, 30°

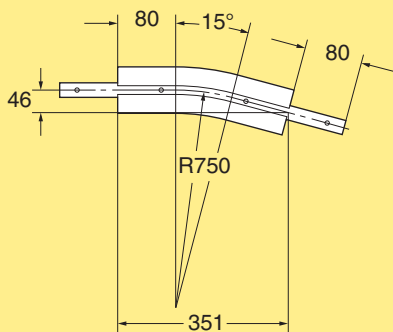


Vertical bend, 30°

XKBV 30R750

Effective track length: 0,60 m 1-way (1,15 m 2-way)

Vertical bend, 15°

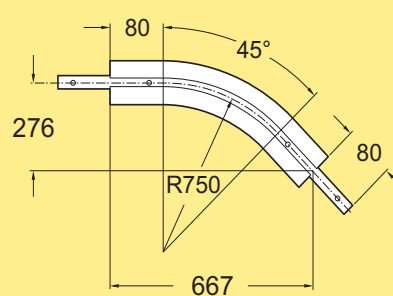


Vertical bend, 15°

XKBV 15R750

Effective track length: 0,40 m 1-way (0,75 m 2-way)

Vertical bend, 45°

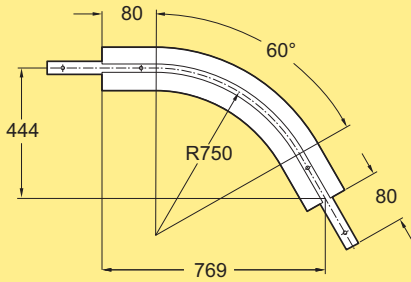


Vertical bend, 45°

XKBV 45R750

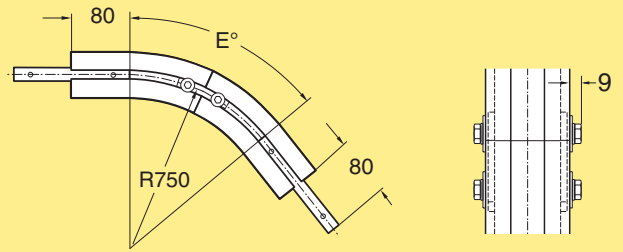
Effective track length: 0,80 m 1-way (1,55 m 2-way)

Vertical bend, 60°



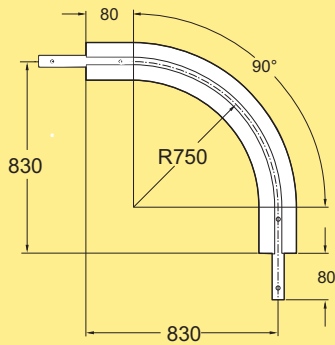
Vertical bend, 60° **XKBV 60R750**
Effective track length: 1,00 m 1-way (1,95 m 2-way)

Vertical bend, 5°–90°



Vertical bend, 5°–90° **XKBV ER750**
The bend is cut in the middle to the desired angle and assembled using connecting strips. The angle "E" must be specified when ordering.

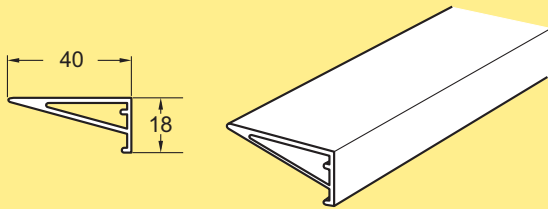
Vertical bend, 90°



Vertical bend, 90° **XKBV 90R750**
Effective track length: 1,40 m 1-way (2,70 m 2-way)

Angle plates XK

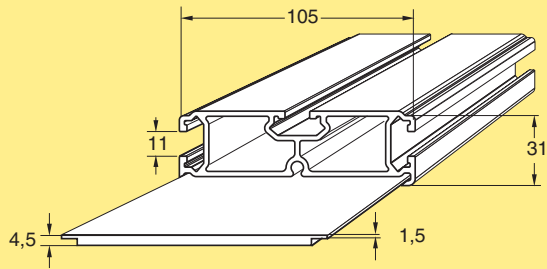
Angle plate, straight



Angle plate
Length 3 m **XHRP 3**

Front piece XK

Front piece



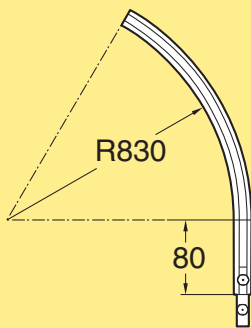
Front piece
Length 3 m

XKVF 3

Sliding strip for front piece
Length 2 m

XKVG 2

Front piece upper bend

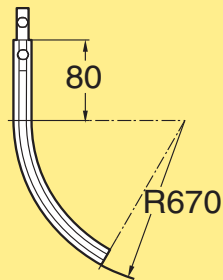


Upper bend, 60°

XKVA 60R830

Includes connecting strip with screws

Front piece lower bend

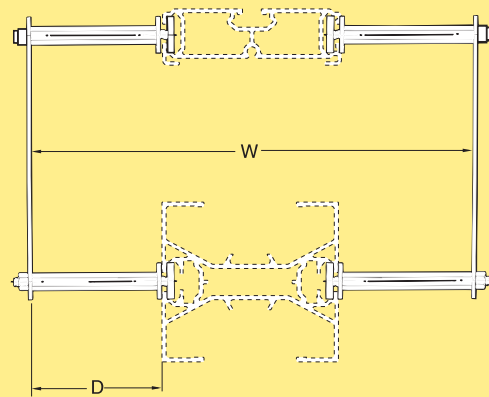


Lower bend, 60°

XKVB 60R670

Includes connecting strip with screws

Linkage kit for front piece



Linkage kit

W=190, D=43

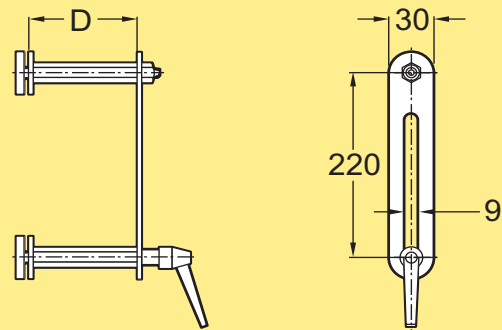
W=290, D=93

XKVK 43

XKVK 93

Kit consists of two support pairs and one locking device.

Bend support for front piece



Bend support

D=43 mm

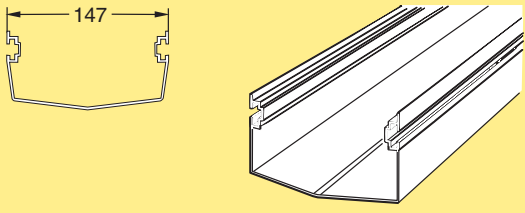
D=93 mm

XKVS 43

XKVS 93

Drip trays XK

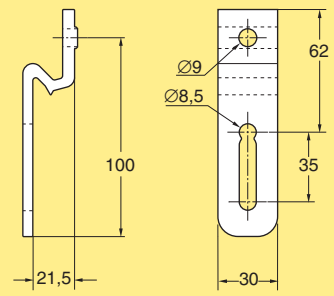
Drip tray



Drip tray
Length 3 m

XKDT 3×147

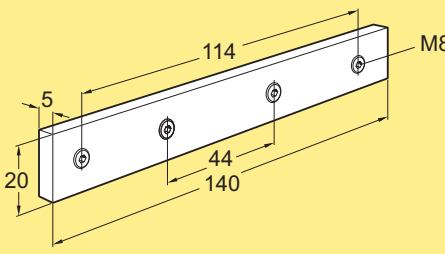
Drip tray bracket



Drip tray bracket

XLDB 21×100

Connecting strip

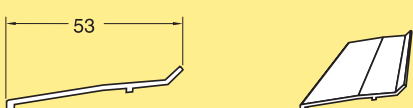


Connecting strip with set screws **XLCJ 5×140**

Note. Contains 10 pcs.

Drip catchers XK

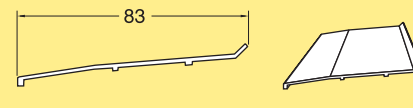
Drip catcher 53 mm



Drip catcher 53 mm
Length 3 m

XHDS 3×53

Drip catcher 83 mm



Drip catcher 83 mm
Length 3 m

XHDS 3×83

- PO
- CC
- X45
- XS
- X65
- X65P
- X85
- X85P
- XH
- XK**
- XKP
- X180
- X300
- GR
- CS
- XT
- HU
- WL
- WK
- XC
- XF
- XD
- ELV
- SC
- FST
- TR
- APX
- IDX

