

# Conveyor system X65

## Contents

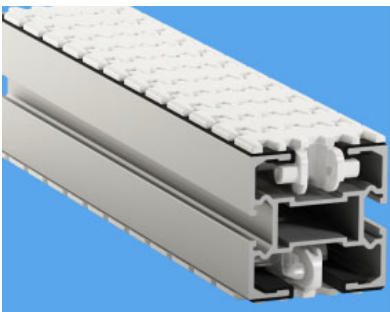
System information.....	115
Conveyor modules .....	116
Chains X65 .....	117
Chain accessories X65 .....	119
Beams X65 .....	120
Beam accessories X65 .....	121
Tools for conveyor beam.....	122
Slide rails X65 .....	122
Slide rails X65, hardened steel .....	123
Drive and idler units – introduction .....	125
End drive units X65 Type H, direct drive, with slip clutch..	126
End drive units X65 Type C, direct drive, no slip clutch....	126
End drive units X65 Type M, direct drive, no slip clutch....	127
End drive units X65 Type H, direct drive, no slip clutch ....	127
Drive units for wedge conveyors .....	128
End drive units X65, suspended, slip clutch.....	129
Double drive units X65, direct drive .....	130
Intermediate drive units X65, direct drive.....	131

Horizontal bend drive unit X65 .....	132
Idler units X65.....	133
Bridges .....	134
Transfers .....	135
X-bends .....	135
S-Transfer .....	135
Components for wedge track width adjustment .....	136
Wheel bends X65 .....	137
Wheel cover for Wheel bend with no return chain.....	137
Plain bends X65 .....	138
Support rail for plain bends X65.....	139
Vertical bends X65 .....	139
Front piece X65 .....	142
Drip trays X65 .....	143
Drip catchers X65.....	143
Guide rail system.....	143
Conveyor support.....	143

## System information



### Chain width 63 mm



### Features

Suitable for a wide range of applications. Preferable in high speed applications. Includes components for pallet handling and vertical wedge conveyors.

### Examples of application areas

Tissue paper, gear wheels, aerosol cans, medium size ball bearings, piston parts, yoghurt, fuel injectors, dry batteries, plastic bottles, matches, cheese boxes, coffee and tea packages.

### Technical characteristics

Beam width .....	65 mm
Chain width .....	63 mm
Chain pitch.....	25,4 mm
Drive unit capacity .....	200-1000 N
Chain tension limit .....	1000 N
Item width .....	15–140 mm 30–300 mm*

#### Maximum:

conveyor length .....	40/8 m*
weight on conveyor.....	200/80 kg*
item weight:	
Horizontal transport.....	10/1 kg*
Vertical transport.....	2/1 kg*

\*Applies to vertical wedge conveyor.

Maximum permitted load per link 1,5 kg

### Watch and learn how to assemble an X65 conveyor system:



PO

CC

X45

XS

X65

X65P

X85

X85P

XH

XK

XKP

X180

X300

GR

CS

XT

HU

WL

WK

XC

XF

XD

ELV

SC

FST

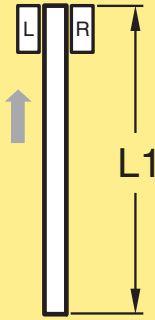
TR

APX

IDX

# Conveyor modules

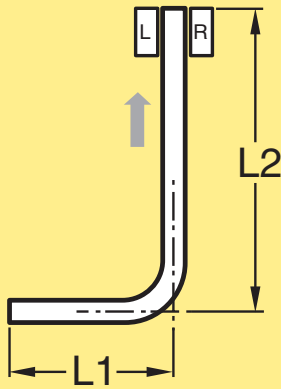
## Straight conveyor



Conveyor module – straight \* **5990226**

*\*Use online configurator when ordering*

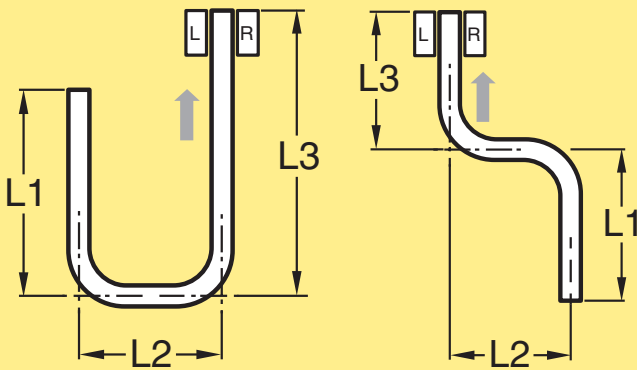
## One bend conveyor



Conveyor module – one bend \* **5990230**

*\*Use online configurator when ordering*












## Two bend conveyor



Conveyor module – two bends \* **5990237**

*\*Use online configurator when ordering*

## Support modules – single and multi-lane

	5995387	Single diecast
	5995388	Single end adjustable
	5995389	Single end guide roller
	5995390	Single foot plate
	5995391	Single two/three-point
	5995393	Multi single 2 lane
	5995394	Multi single 3 lane
	5995395	Multi single 4 lane
	5995396	Multi double 2 lane
	5995397	Multi double 3 lane
	5995398	Multi double 4 lane

**Plain Chain**

Plain chain  
Length 5 m **XLTP 5A65 K**  
Plain link kit\* **FLX1009393**  
*\*Link kit contains 10 links, 10 pivots, 10 steel pins.*

**Cleated chain Type A**

Type A cleats, Length 5 m  
h=4 mm **XLTF 5A65X4 A**  
h=5,5 mm **XLTF 5A65X5.5 A**  
h=9 mm **XLTF 5A65X9 A**  
h=12 mm **XLTF 5A65X12 A**  
h=17 mm **XLTF 5A65X17 A**  
h=30 mm **XLTF 5A65X30 A**

Use the online configurator to specify and order.

Cleated link kit\*  
h=4 mm **5117353**  
h=5,5 mm **5117354**  
h=9 mm **5117356**  
h=12 mm **5117346**  
h=17 mm **5117350**  
h=30 mm **5117351**

*\* Link kit contains 10 links, 10 pivots, 10 steel pins*

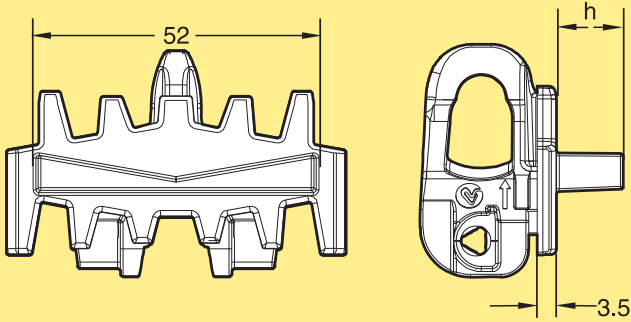
**Plain chain**

Plain chain  
Length 5 m **XLTP 5A65**  
Plain link kit \* **5117329**  
Plain chain (Ultra low wear)  
Length 5 m **XLTP 5A65 C**  
Plain link kit (Ultra low wear) **5117371**  
*\*Link kit contains 10 links, 10 pivots, 10 steel pins*

**Cleated chain Type B**

Cleated chain, Length 5 m **XLTF 5A65X12 B**  
Use the online configurator to specify and order.  
Cleated link kit\* **5117347**  
*\*Link kit contains 10 links, 10 pivots, 10 steel pins*

**Cleated chain Type C**



Type C cleats\*  
 Length 5 m  
 h=12 mm  
 h=15 mm  
 h=30 mm

**XLTF 5A65X12 C**  
**XLTF 5A65X15 C**  
**XLTF 5A65X30 C**

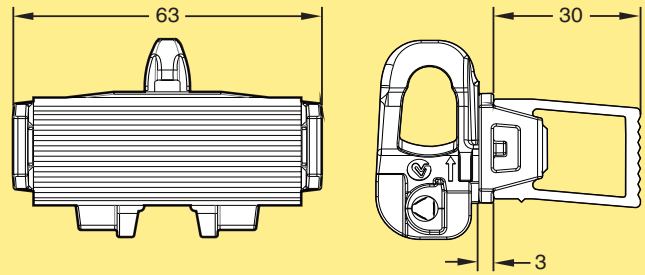
\*Use the online configurator to specify and order.

Cleated link kit \*\*

h=12 mm **5117348**  
 h=15 mm **5117349**  
 h=30 mm **5117352**

\*\*Link kit contains 10 links, 10 pivots, 10 steel pins

**Flexible cleat chain, Type D**



Flexible cleat chain Type D  
 Length 5 m

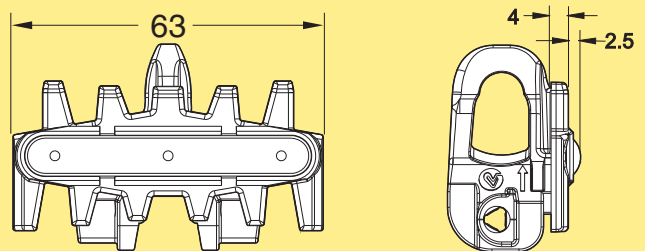
**XLTE 5A65 D**

Flexible cleat link kit

**5117359**

10 complete links+pivots+pins

**Friction top chain**



Friction top chain  
 Length 5 m (PAR 1)  
 Length 5 m

**XLTP 5A65 F**  
**XLTP 5A65 FP**

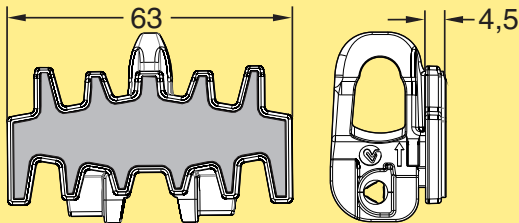
Use the online configurator to specify and order.

Friction top link kit

**5117360**

Link kit contains 10 links, 10 pivots, 10 steel pins

**Flat friction top chain**



Flat friction top chain  
 Length 5 m, (PAR1)  
 Length 5 m

**XLTP 5A65 FA**  
**XLTP 5A65 FAP**

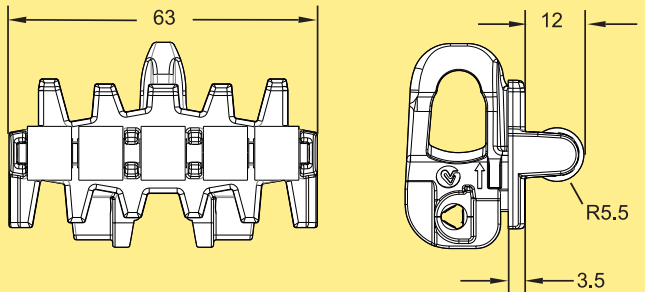
\*Use the online configurator to specify and order.

Cleated link kit \*\*

**5117357**

\*\*Link kit contains 10 links, 10 pivots, 10 steel pins

**Roller top chain**



Roller top chain  
 Length 5 m (PAR1)  
 Length 5 m

**XLTR 5A65**  
**XLTR 5A65 P**

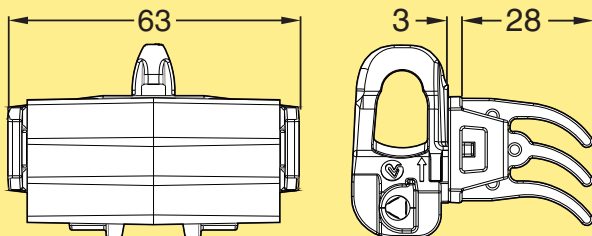
Use the online configurator to specify and order.

Roller top link kit

**5117373**

Link kit contains 10 links, 10 pivots, 10 steel pins

**Flexible cleat chain, Type C**



Flexible cleat chain Type C  
 Length 5 m

**XLTE 5A65 C**

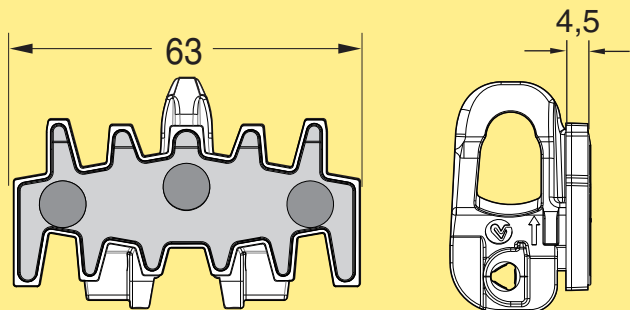
Flexible cleat link kit

**5117358**

10 complete links+pivots+pins

PO  
 CC  
 X45  
 XS  
**X65**  
 X65P  
 X85  
 X85P  
 XH  
 XK  
 XKP  
 X180  
 X300  
 GR  
 CS  
 XT  
 HU  
 WL  
 WK  
 XC  
 XF  
 XD  
 ELV  
 SC  
 FST  
 TR  
 APX  
 IDX

### Steel top chain



Steel top chain  
 Length 5 m

**XLTP 5A65 TF**

Steel top link kit

**5117374**

*Link kit contains 10 links, 10 pivots, 10 steel pins*

### Other chains

See the *Chain guide* for a selection of other chains.

### Chain installation

See "Appendix "D. Chain installation" on page 530 for installation instructions.

## Chain accessories X65

### Plastic pivot

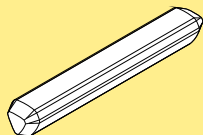


Plastic pivot X65

**5117478**

*Plastic pivot kit contains 25 items*

### Steel pin kit

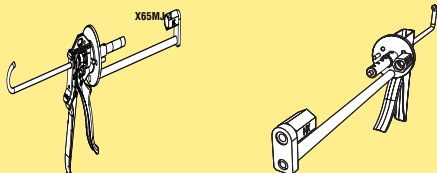


Steel pin kit

**5116330**

*Note. kit contains 25 pcs of XTTD 4.5x30*

### Pin insertion tool for chain



Pin insertion tool

X65

X65 PRO version\*

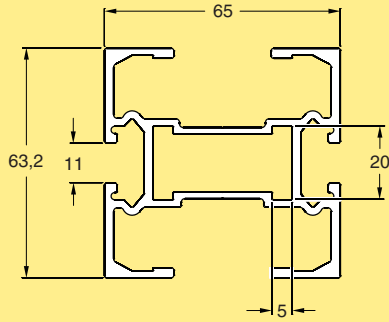
**XLMJ 4**

**XLMJ 4 P**

*\*This product is recommended for frequent users.*

# Beams X65

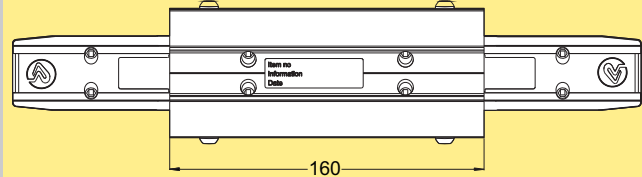
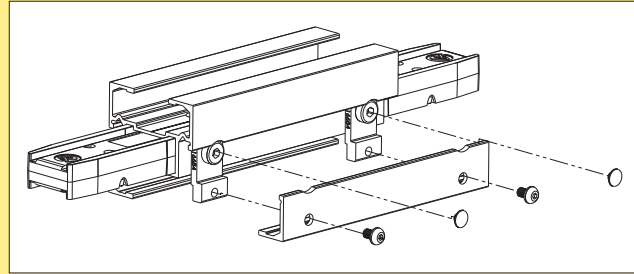
## Conveyor beam



Beam  
Length 3000 +10/-0 mm **XLCB 3A65**  
Length to order (160- 3000 mm) **XLCB LA65**

Slide rail: see page 122.  
Beam accessories: see page 121.  
The beams have predrilled 8 mm holes

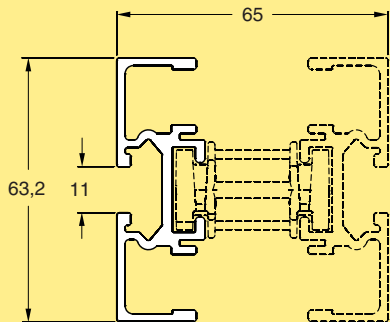
## Beam section for chain installation



Beam section for chain installation **XLCC 160A65**

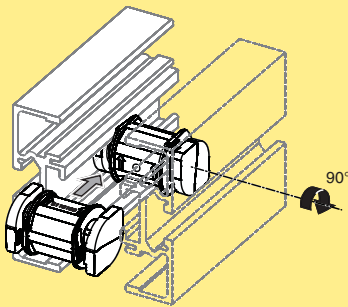
Including connection strips and screws

## Profile for split conveyor beam



Profile for split conveyor beam  
Length 3000 +10/-0 mm **XLCB 3A65 H**  
Length to order (30- 3000 mm) **XLCB LA65 H**

## Spacer



Spacer **XLCE A65**  
Spacer kit contains 10 pcs

**Connecting bracket kit**

Connecting bracket kit with set screws **XLCJ A65**

**Cover strip for T-slot, aluminium**

Cover strip for T-slot  
Aluminium, anodized  
Length 2 m

**XCAC 2**

*Note! Can't be used with bends*

**Cover strip for T-slot, PVC**

Cover strip for T-slot  
Length 3 m  
Grey PVC

**XCAC 3 P**

*Note! Can't be used with bends*

**Cover strip for T-slot, PVC**

Cover strip for T-slot  
Length 25 m  
Grey PVC

**XCAC 25 P**

**Beam spacer**

XS	X65	X85/XH	XK
h=16,0 mm	h=15,9 mm	h=10,5 mm	h=0,5 mm

Beam spacer  
Aluminium, anodized  
Length 3 m

**XLCD 3**

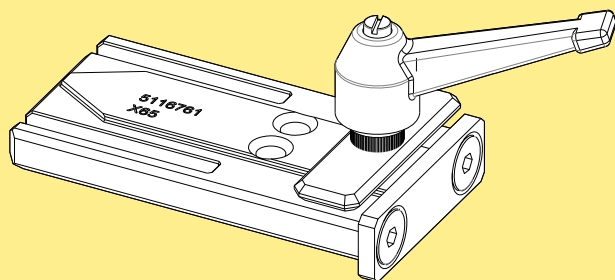
*For connection of two conveyor beams side to side. Use M8 screw and slot nut. Two holes must be drilled, one through the spacer (9 mm) and one through the beam, to allow insertion of the screw. The diameter of the second hole depends on the size of the screw head.*

**Articulated beam section**

Articulated beam section vertical **XLCH 5A65 V**

CC  
X45  
XS  
X65  
X65P  
X85  
X85P  
XH  
XK  
XKP  
X180  
X300  
GR  
CS  
XT  
HU  
WL  
WK  
XC  
XF  
XD  
ELV  
SC  
FST  
TR  
APX  
IDX

## Drill fixture



Drill fixture **5116761**  
For the Connecting bracket hole pattern

## Slide rails X65

### Plastic slide rails, narrow



#### Slide rail

Length 25 m

HDPE (Black)

PA-PE (Grey)

PVDF (Natural white)

PE-UHMW (White)

PE-UHMW (Blue)

PE-UHMW conductive (Black)

**XLCR 25**

**XLCR 25 H**

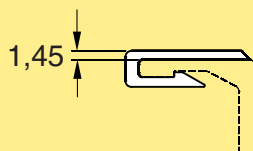
**XLCR 25 P**

**XLCR 25 U**

**XLCR 25 UL A**

**XLCR 25 E**

### Plastic slide rails for X65



#### Slide rail

Length 25 m

HDPE (Black)

PA-PE (Grey)

**XLCR 25 B**

**XLCR 25 HB**

Not for use in bends

### Steel slide rail for X65 beams

**XLCR 3 TA**



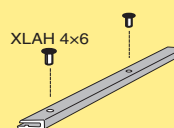
Slide rail ( $\mu=0,15-0,35$ )

Length 3 m

Acid resistant stainless steel

**XLCR 3 TA**

### Aluminium rivets



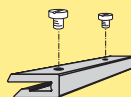
Aluminium rivets 4 mm for X65 conveyors

**XLAH 4x6**

Extra slide rail in plain bends must be anchored using plastic screws due to lack of space for the rivet crimping tool.

Note. Contains 250 pcs..

### Plastic screws for slide rail



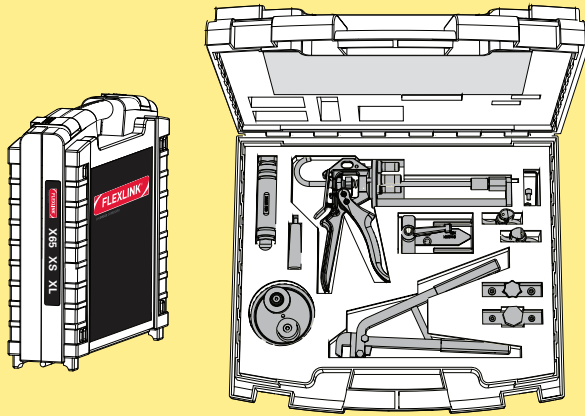
Plastic screws 5 mm for XS-X65-X85-XH-X180/X300 beams

**XLAG 5**

See mounting instruction "Anchoring slide rail using plastic screws" on page 526

Note. Contains 50 pcs.

**Toolbox for assembly and maintenance (X65, XS, XL)**



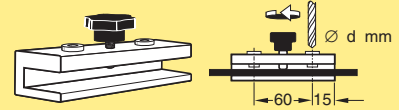
Toolbox

**FLX1007253**

Contains:

- Pin insertion tool (chain)* **XLMJ 4 P**
- Mounting tool (slide rail)* **XLMR 140**
- Mounting tool handle\* (slide rail)* **3923686**
- Rivet crimping pliers 4 mm (slide rail)* **5051395**
- Pliers kit 3 mm (slide rail)* **3922995, 3922996**
- Rivet crimping clamp 4 mm (slide rail)* **3923005**
- Rivet tool 3 mm (slide rail)* **FLX1005029**
- Drill fixture (slide rail)* **5116761**
- Drill fixture 4 mm (slide rail)* **3920500**
- Drill fixture 3 mm (slide rail)* **3924774**

**Drill fixture for slide rail**



Drill fixture for X65-X85-XH-XK-X180/X300 slide rail  
d=4,2 mm

**3920500**

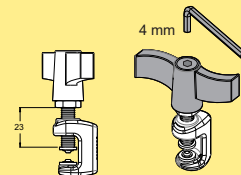
**Rivet crimping pliers**



Rivet crimping pliers for X65-X85-XH-XK-X180/X300  
For 4 mm rivets

**5051395**

**Rivet crimping clamp**



Rivet crimping clamp for X65-X85-XH-XK-X180/X300  
For 4 mm rivets

**3923005**

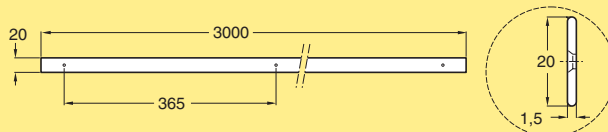
**Mounting tool for slide rail**



Mounting tool for slide rail XS, X65 **XLMR 140**

**Slide rails X65, hardened steel**

**Steel slide rail, straight**

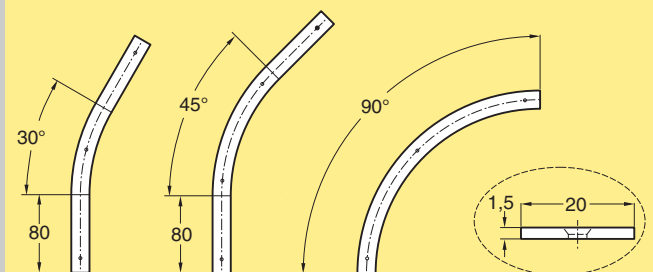


Slide rail, hardened steel  
Length 3 m

**XLCR 3 TH**

Delivered with 9 predrilled holes

**Steel slide rail for wheel bends**

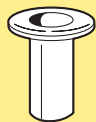


Slide rail for bends, hardened steel

- Slide rail for bend, X65 30° **XLCR W30 TH**
- Slide rail for bend, X65 45° **XLCR W45 TH**
- Slide rail for bend, X65 90° & 180° **XLCR W90 TH**

180°: Use 2 pieces of steel slide rail 90°

**Stainless steel rivets**

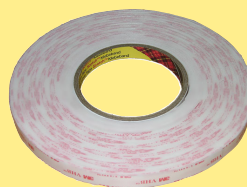


Stainless steel rivet, 4 mm

**XLAHX 4x6**

*Rivet for anchoring the slide rails. Contains 10 pcs.0.  
Note. Do not use in applications where metal chips  
might get stuck in the hole in the rivet.*

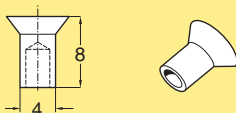
**Glue tape 3M**



Glue tape  
Length 30 m

**5057208**

**Brass rivets**



Brass rivets (100 pcs)

**5056167**

*Rivets for anchoring the slide rails*

**Mounting tool for steel slide rail**

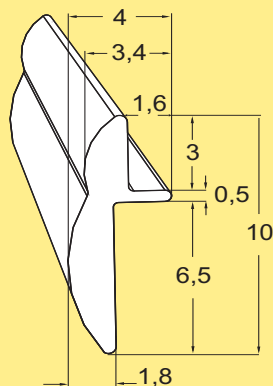
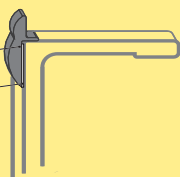


Mounting tool for X65

**5057662**

**Cover strip**

5112114  
5057208



Cover strip

Length: 3 m

Material: Plastic PA 12

**5112114**

*Cover the opening on the side between the chain and  
beam. Primarily for straight sections and the outer  
curves, but can also be mounted on inner curves. Apply  
using Glue tape 5057208, see mounting instruction  
5497EN in Technical library.*

**Drive unit types**

The X65 system includes Compact (C), Medium (M), and Heavy (H) drive units. Drive unit capacities range from maximum 1000 N for the H types down to maximum 200 N for the Wheel bend drive and Intermediate drive type M.

The actual capacity depends on the speed and type of drive unit. Several configurations are available, including direct driven units with or without slip clutch. Heavy duty drives with suspended motor and transmission chain can also be ordered. Available motors include variable speed types (V) as well as fixed speed motors (F).

**Motor specifications**

Motors are available for 230/400 V, 50 Hz and 230/460 V, 60 Hz. Variable speed motors are SEW Movimot, 380–500 V. Note that variable speed motors include a control box that adds 120 mm to the width of the motor.

IP55 available with standard oil.  
IP65 available with food grade oil.

Motor	End drive units					Intermediate drive units	Horizontal bend drive units		Synchronous drive unit	
			Suspended motor, transmission chain, slip clutch	Double drive units			Direct drive, no slip clutch	Direct drive, no slip clutch		Direct drive, slip clutch
	Direct drive, no slip clutch	Direct drive, slip clutch		Direct drive, no slip clutch	Direct drive, slip clutch					
Compact (WA10)	F	--	--	--	--	--	--	--		
Medium (WA 20)	F,V	--	--	--	--	F,V	--	--		
Heavy (S37, SA37)	F,V	F,V	F	F,V	F,V	F,V	F,V	F,V	F	
Heavy, guided (S37, SA37)	F,V	F,V	--	--	--	--	--	--		

**Idler unit types**

Idler units are available in two versions, Compact and Heavy.

**Ordering information**

Drive units with motors must be specified using the web-based configurator. The configurator provides detailed information and step-by-step guidance in the specification process. A product code string is generated, containing the specification details. See next page for examples of code strings.

Drive units *without* motors can be ordered using the designations in the catalogue.

**Dimension**

Note that dimensions relating to drive unit motors depend on the motor specified during the configuration.

PO

CC

X45

XS

X65

X65P

X85

X85P

XH

XK

XKP

X180

X300

GR

CS

XT

HU

WL

WK

XC

XF

XD

ELV

SC

FST

TR

APX

IDX

## End drive units X65 Type H, direct drive, with slip clutch

## End drive units X65 Type C, direct drive, no slip clutch

**End drive unit, Type H, direct drive with slip clutch**

End drive unit, max 1000 N  
 Fixed speed up to 60 m/min  
 Variable speed up to 120 m/min  
 Motor on left side  
 Fixed/variable speed\*  
 Without motor  
 Motor on right side  
 Fixed/variable speed\*  
 Without motor

**XLEB A65**  
**XLEB 0A65HLP**

**XLEB A65**  
**XLEB 0A65HRP**

*Effective track length: 0,80 m*  
*\*Use online configurator when ordering.*  
*Maximum traction force: see diagram on page 22 in FlexLink's product catalogue.*

**End drive unit, Type C, direct drive, no slip clutch**

End drive unit, max 300 N  
 Fixed speed up to 35 m/min  
 Motor on left side  
 Fixed speed\*  
 Without motor  
 Motor on right side  
 Fixed speed\*  
 Without motor

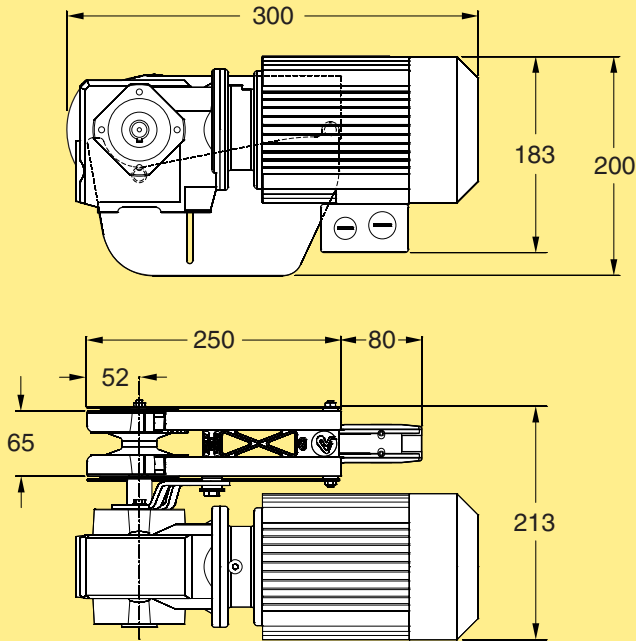
**XLEB A65**  
**XLEB 0A65CNLP**

**XLEB A65**  
**XLEB 0A65CNRP**

*Effective track length: 0,55 m*  
*\*Use online configurator when ordering.*  
*Maximum traction force: see diagram on page 22 in FlexLink's product catalogue.*

## End drive units X65 Type M, direct drive, no slip clutch

### End drive unit, Type M, direct drive, no slip clutch



End drive unit, max 700 N  
 Fixed speed up to 60 m/min  
 Variable speed: up to 60 m/min  
 Motor on left side  
 Fixed/variable speed\*  
 Without motor

**XLEB A65**  
**XLEB 0A65MNLP**

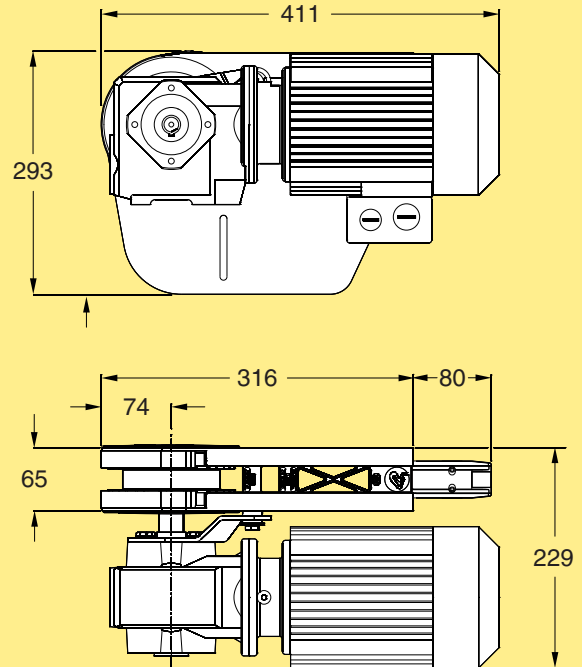
Motor on right side  
 Fixed/variable speed\*  
 Without motor

**XLEB A65**  
**XLEB 0A65MNRP**

Effective track length: 0,55 m  
 \*Use online configurator when ordering.  
 Maximum traction force: see diagram on page 22 in  
 FlexLink's product catalogue.

## End drive units X65 Type H, direct drive, no slip clutch

### End drive unit, Type H, direct drive, no slip clutch



End drive unit, max 1000 N  
 Fixed speed up to 60 m/min  
 Variable speed up to 120 m/min  
 Motor on left side  
 Fixed/variable speed\*  
 Without motor

**XLEB A65**  
**XLEB 0A65HNLP**

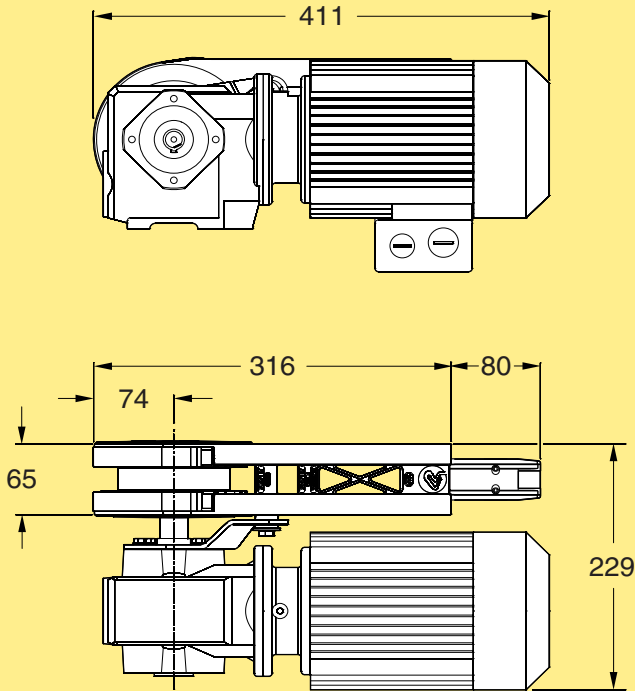
Motor on right side  
 Fixed/variable speed\*  
 Without motor (ISO)

**XLEB A65**  
**XLEB 0A65HNRP**

Effective track length: 0,80 m.  
 \*Use online configurator when ordering.  
 Maximum traction force: see diagram on page 22 in  
 FlexLink's product catalogue.

PO  
 CC  
 X45  
 XS  
**X65**  
 X65P  
 X85  
 X85P  
 XH  
 XK  
 XKP  
 X180  
 X300  
 GR  
 CS  
 XT  
 HU  
 WL  
 WK  
 XC  
 XF  
 XD  
 ELV  
 SC  
 FST  
 TR  
 APX  
 IDX

## End drive unit, Type H, guided chain, no slip clutch



End drive unit, max 1000 N  
 Direct drive with guided chain. No slip clutch.  
 Fixed speeds up to 60 m/min.  
 Variable speed up to 60 m/min.

Motor on left side:

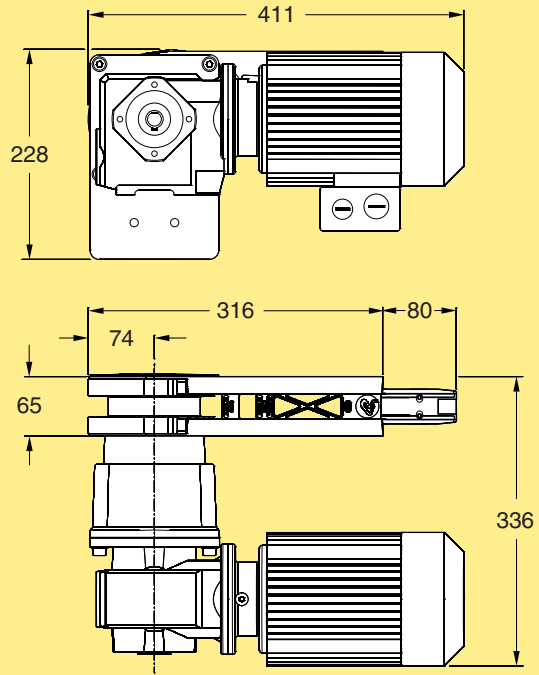
Fixed/variable speed \*     **XLEB A65**  
 Without motor               **XLEB 0A65HNLGP**

Motor on right side (not shown):

Fixed/variable speed \*     **XLEB A65**  
 Without motor               **XLEB 0A65HNRGP**

Effective track length: 0,80 m  
 \*Use online configurator when ordering.  
 Maximum traction force: see diagram on page 22 in  
 FlexLink's product catalogue.

## End drive unit, Type H, guided chain, slip clutch



End drive unit, max 1000 N  
 Direct drive with guided chain. Adjustable slip clutch.  
 Maximum traction force: up to 1000 N.  
 Fixed speeds up to 60 m/min.  
 Variable speed up to 60 m/min.

Motor on left side:

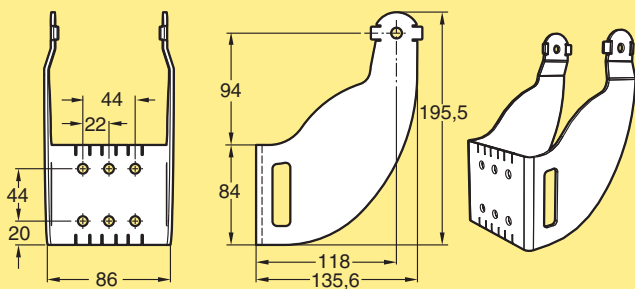
Fixed/variable speed \*     **XLEB A65**  
 Without motor               **XLEB 0A65HLGP**

Motor on right side (not shown):

Fixed/variable speed \*     **XLEB A65**  
 Without motor               **XLEB 0A65HRGP**

Effective track length: 0,80 m  
 \*Use online configurator when ordering.  
 Maximum traction force: see diagram on page 22 in  
 FlexLink's product catalogue.

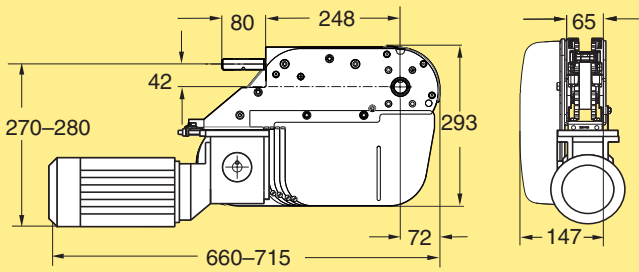
## Support bracket for HNL/HNR drive units



Support bracket kit                               **5116741**

Including screw kit: 6 each of M6S M8x12, BRB  
 8.4x16, XCAN 8.

**End drive unit, suspended, slip clutch**



End drive unit, max 1000 N  
Fixed speeds up to 60 m/min.

Motor on left side:

Fixed speed*	<b>XLEB A65</b>
Without motor (ISO)	<b>XLEB 0A65HL</b>
Without motor (ANSI)	<b>XLEB 0A65HLA</b>

Motor on right side (not shown):

Fixed speed*	<b>XLEB A65</b>
Without motor (ISO)	<b>XLEB 0A65HR</b>
Without motor (ANSI)	<b>XLEB 0A65HRA</b>

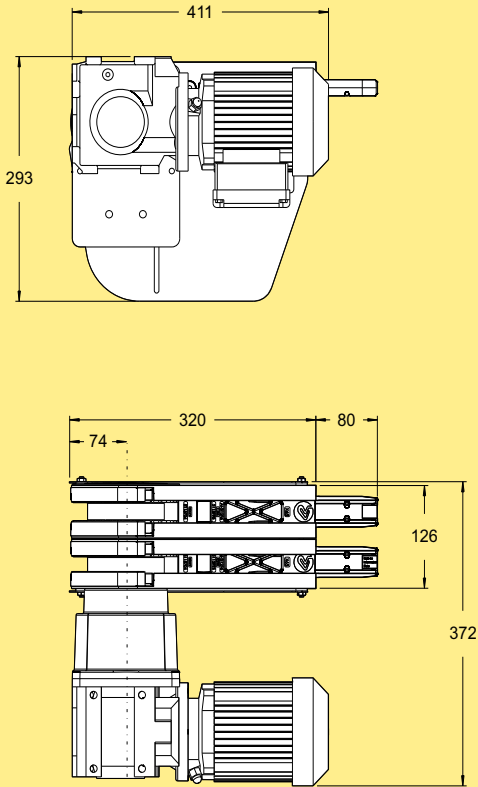
Effective track length: 0,80 m

\*Use online configurator when ordering.

Maximum traction force: see diagram on page 22 in FlexLink's product catalogue.

# Double drive units X65, direct drive

## Double drive unit, direct drive, slip clutch



Double drive unit, max 1000 N  
Direct drive. Adjustable slip clutch.  
Fixed speeds up to 60 m/min.  
Variable speed up to 60 m/min.

Motor on left side:

C-C=66 mm  
Fixed/variable speed \* **XLEB DD A65**  
Without motor **XLEB 0A65HLPD66**

C-C=130–350 mm  
Fixed/variable speed \* **XLEB DD A65**  
Without motor **XLEB 0A65HLPD–\*\***

Motor on right side (not shown):

C-C=66 mm  
Fixed/variable speed \* **XLEB DD A65**  
Without motor **XLEB 0A65HRPD66**

C-C=110–350 mm  
Fixed/variable speed \* **XLEB DD A65**  
Without motor **XLEB 0A65HRPD–\*\***

\*Use online configurator when ordering.

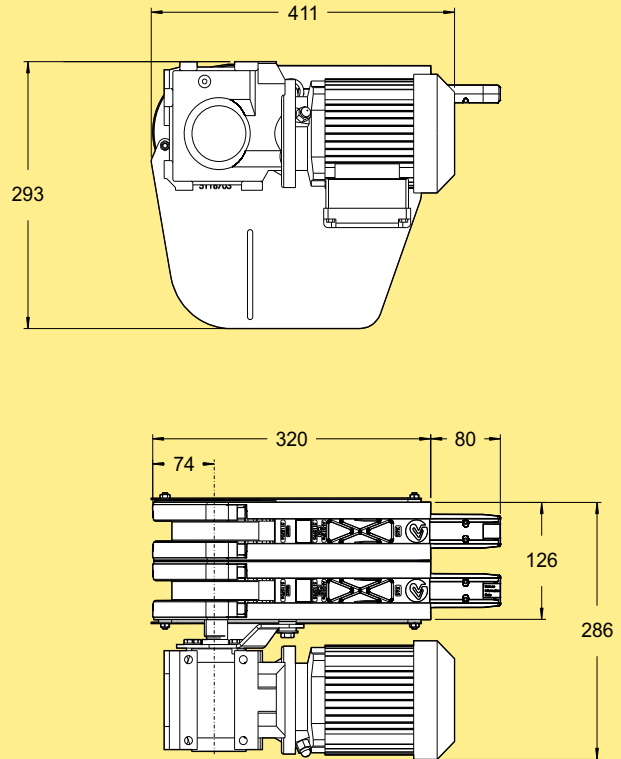
\*\*Specify C-C when ordering.

Drawing shows C-C 66 mm version.

Effective track length: 0,80 m (each track)

\*\*Maximum traction force: see diagram on page 22 in FlexLink's product catalogue.

## Double drive unit, direct drive, no slip clutch



Double drive unit, max 1000 N  
Direct drive. No slip clutch.  
Fixed speeds up to 60 m/min.  
Variable speed up to 60 m/min.

Motor on left side:

C-C=66 mm  
Fixed/variable speed \* **XLEB DD A65**  
Without motor **XLEB0A65HNLDP66**

C-C=110–350 mm  
Fixed/variable speed \* **XLEB DD A65**  
Without motor **XLEB0A65HNLDP–\*\***

Motor on right side (not shown):

C-C=66 mm  
Fixed/variable speed \* **XLEB DD A65**  
Without motor **XLEB0A65HNRPD66**

C-C=110–350 mm  
Fixed/variable speed \* **XLEB DD A65**  
Without motor **XLEB0A65HNRPD–\*\***

\*Use online configurator when ordering.

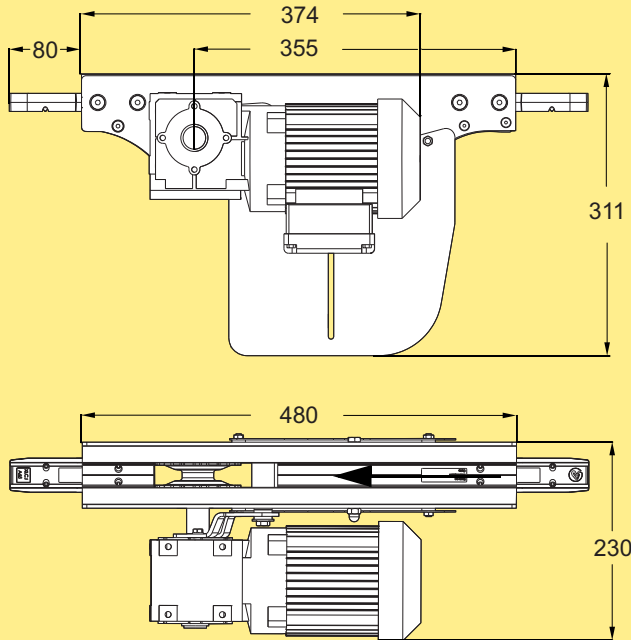
\*\*Specify C-C when ordering.

Drawing shows version with customer specified C-C distance.

Effective track length: 0,80 m (each track)

\*\*Maximum traction force: see diagram on page 22 in FlexLink's product catalogue.

**Intermediate drive unit M, direct drive, no slip clutch**



Intermediate drive unit, max 200 N  
 Direct drive. No slip clutch.  
 Fixed speeds up to 25 m/min.  
 Variable speed up to 25 m/min.

Motor on left side

Fixed/variable speed \* **XLER A65**  
 Without motor **XLER 0A65MNLP**

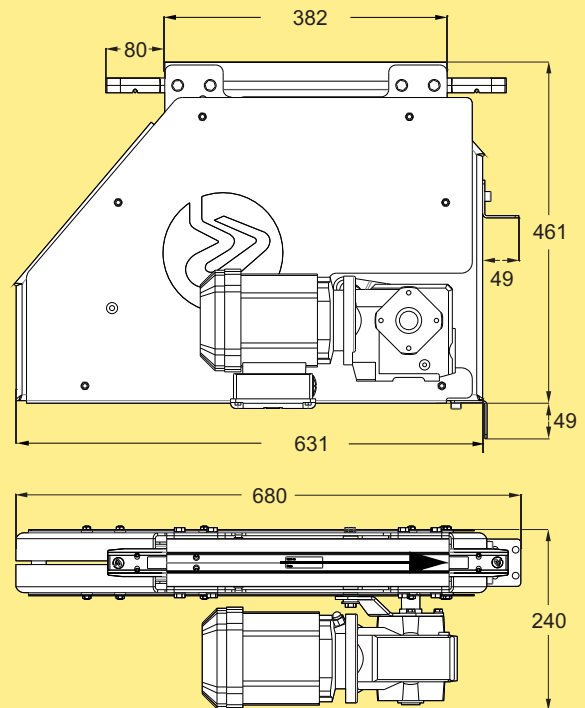
Motor on right side: (not shown)

Fixed/variable speed \* **XLER A65**  
 Without motor **XLER 0A65MNRP**

*\*Use online configurator when ordering.*

Effective track length: 1,10 m

**Intermediate drive unit H, direct drive, no slip clutch**



Intermediate drive unit, max 700 N  
 For plain chain only.  
 Direct drive. No slip clutch.  
 Fixed speeds up to 60 m/min.  
 Variable speed up to 60 m/min.

Motor on left side: (not shown)

Fixed/variable speed \* **XLER A65**  
 Without motor **XLER 0A65HNLP**

Motor on right side:

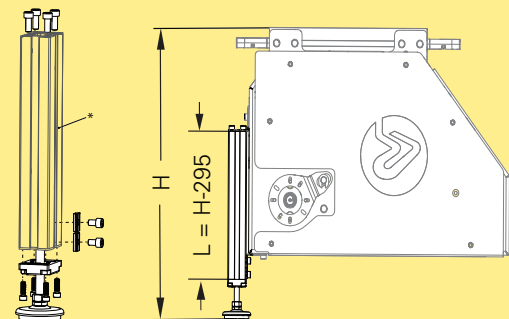
Fixed/variable speed \* **XLER A65**  
 Without motor **XLER 0A65HNRP**

*\*Use online configurator when ordering.*

Effective track length: 1,67 m + 0,38 m

Can only be used with plain chains, except XLTP 5A65 K.

**Leg support for Intermediate drive unit H**

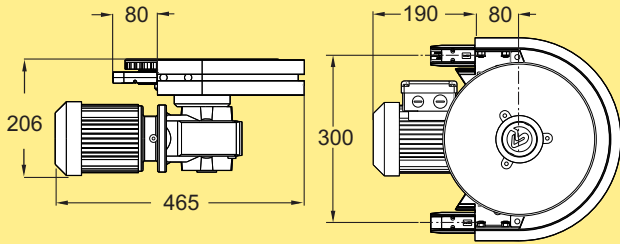


Leg support kit **FLX1008683**

*\* Note: Beam is not included. Use kit with beam XCBM LX44X64. Min. beam length; 310 mm. Thread top of beam for M8, center threading*

# Horizontal bend drive unit X65

## Horizontal bend drive unit, direct drive, no slip clutch



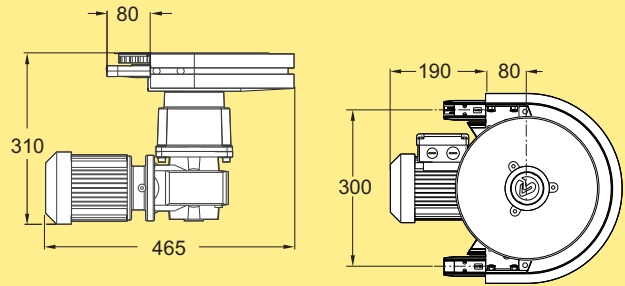
Horizontal bend drive unit, max 200 N  
 Direct drive. No slip clutch.  
 Fixed speeds up to 30 m/min.  
 Variable speed up to 30 m/min.

Fixed/variable speed **XLEW A65**  
 Without motor **XLEW 18/0A65HNP**

*\*Use online configurator when ordering.*

Maximum conveyor length: 20 m  
 Effective track length: 0,65 m

## Horizontal bend drive unit, direct drive, slip clutch



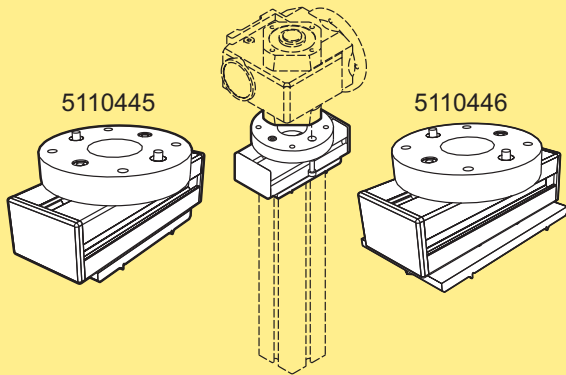
Horizontal bend drive unit, max 200 N  
 Direct drive. Adjustable slip clutch.  
 Fixed speeds up to 30 m/min.  
 Variable speed up to 30 m/min.

Fixed/variable speed **XLEW A65**  
 Without motor **XLEW 18/0A65HP**

*\*Use online configurator when ordering.*

Maximum conveyor length: 20 m  
 Effective track length: 0,65 m

## Support adapters for Horizontal bend drive units



Support adapter for Horizontal bend drive unit

For support beam XCBM..x64 mm **5110445**  
 For support beam XCBM..x88 mm **5110446**

*Including mounting hardware and mounting instructions. Note. XCBL support beams cannot be used.*

**Idler end unit**

Idler end unit **XLEJ A65**  
 Effective track length: 0,80 m

**Idler end unit Type S**

Idler end unit  
 Compact version **XLEJ A65 S**  
 Effective track length: 0,45 m

**Idler bend unit, 90°**

Idler bend unit, 90° **XLEK 90A65**  
 Effective track length: 0,40 m 1-way (0,70 m 2-way)

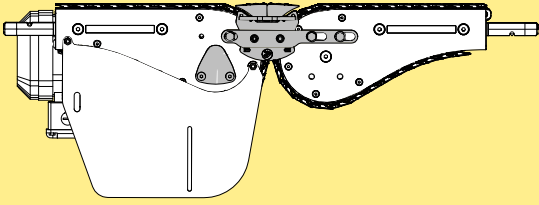
**Protective cover for idler end unit**

Protective cover for XLEJ A65 S **XLSJ 116**  
 Including mounting screws (M8).

**Protective cover for idler end unit**

Protective cover for XLEJ A65 **XLSJ 182**

## Passive bridge from conveyor to conveyor



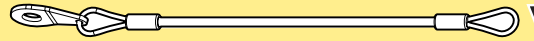
Passive bridge\*

**XLNG A65**

<b>From:</b>	<b>To:</b>
Heavy Drive	Heavy Idler
Heavy Drive	Compact Idler
Comp./Med. Drive	Compact Idler
Comp./Med. Drivef	Heavy Idler

\* Use online configurator when ordering.

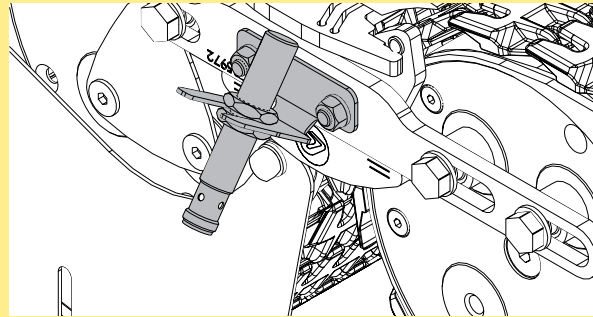
## Attachment wire



Wire for attaching roller to holder **FLX1006041**

\*Also available as a configuration option through XLNG A65.

## Sensor Kit



Bridge in position sensor kit

Conveyor to conveyor **FLX1006042**  
External to/from Conveyor **FLX1006044**

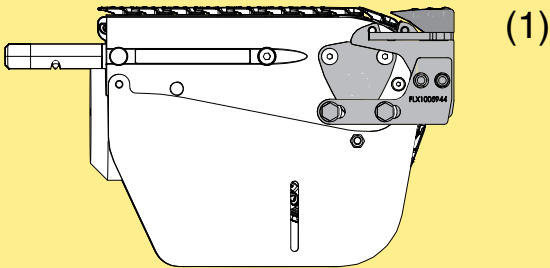
\*Also available as a configuration option through XLNG A65

Includes: Bracket & PNP sensor (NO), M12xL=70mm, M12 connector. No cables.

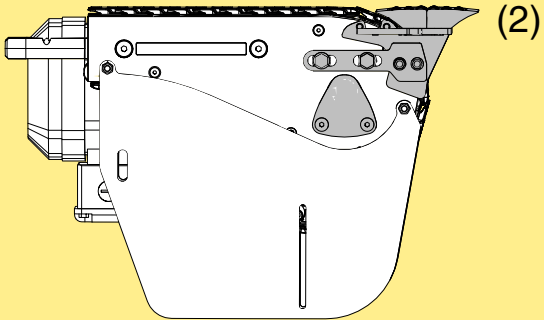
## Note

Bridges can not be used with cleated chain.

## Passive bridge to or from machine or application, Single or double rollers



(1)



(2)

Passive bridge\*

Single roller (1) or Double roller (2)

**XLNG A65**

<b>From:</b>	<b>To:</b>
Heavy Drive	External
External	Heavy Idler
Comp./Med. Drive	External
External	Comp./Med. Idler

\* Use online configurator when ordering.

X-bends

**X-bend**

10°

640

670

80

A

B

X-bend for top chain

For optional mounting of Idler end unit or Drive unit at the end (A) or (B)

**XLCX 65 L**

Effective track length: 2,1 m

**X-bend**

10°

640

670

80

A

B

X-bend for top chain

For optional mounting of Idler end unit or Drive unit at the end (A) or (B)

**XLCX 65 R**

Effective track length: 2,1 m

S-Transfer

**S-Transfer**

725

134

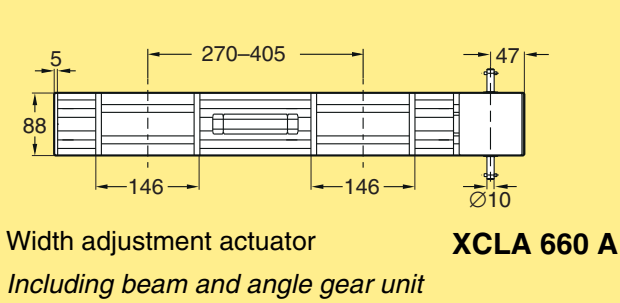
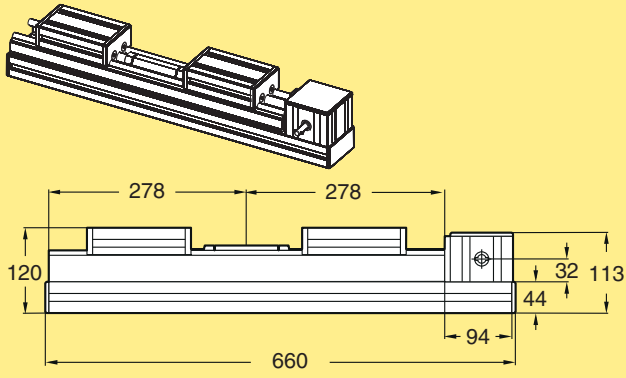
S-transfer for return chain

for X65

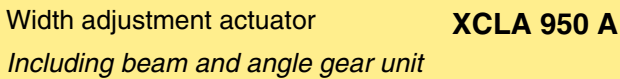
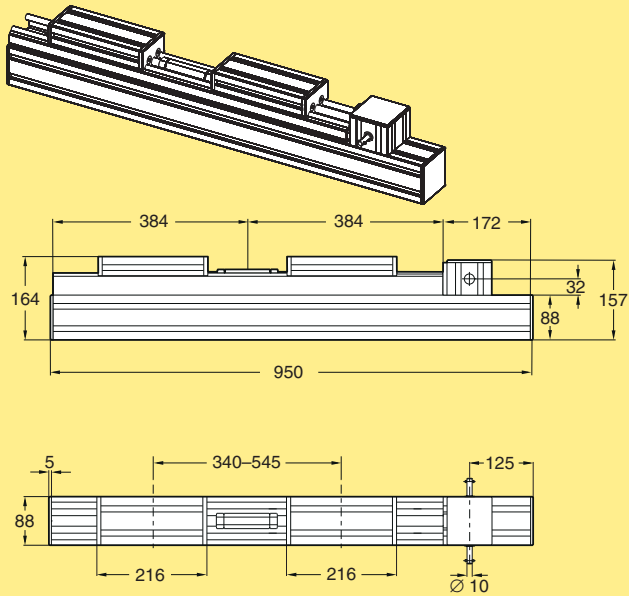
**XLCY A65 D**

Effective track length: 2,9 m

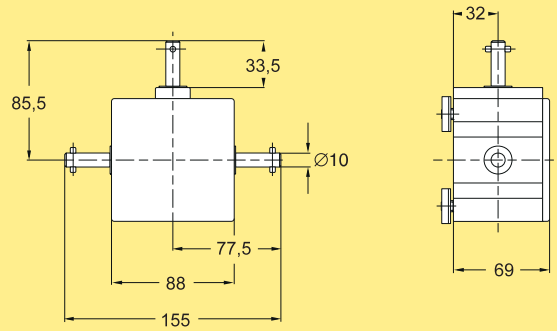
## Width adjustment actuator 660 mm



## Width adjustment actuator 950 mm



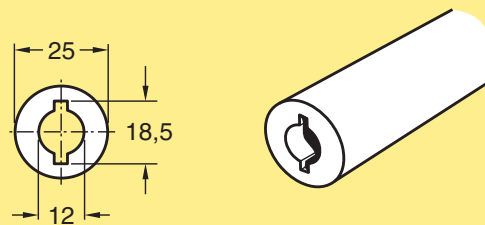
## Angle gear unit



Angle gear unit

**XCFW 90**

## Shaft



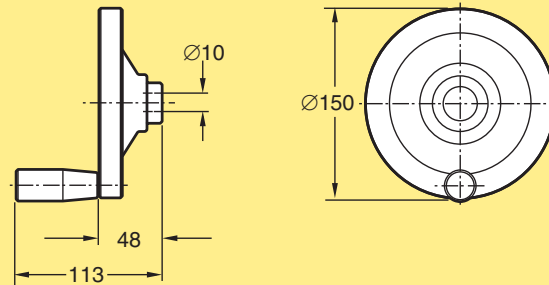
## Shaft

Aluminium, anodized  
Length 3 m

**XLFX 3**

The shaft is used to connect angle gear units XCFW 90 to synchronize adjustment of the track width. Use XLAP 28 spring pins to secure the shafts axially.

## Handwheel for 10 mm shaft



Handwheel for 10 mm shaft

**XLAW 160x10**

**Wheel bend, 30°**

Wheel bend, 30° **XLBH 30A65R150**  
 Effective track length: 0,25 m 1-way (0,50 m 2-way)

**Wheel bend, 210°**

Wheel bend, 210° **XLBH 210A65R150**  
 Effective track length: 0,75 m 1-way (1,50 m 2-way)

**Wheel bend, 45°**

Wheel bend, 45° **XLBH 45A65R150**  
 Effective track length: 0,30 m 1-way (0,60 m 2-way)

**Wheel bend, 30°–180°**

Wheel bend, 30°–180°  
 Available in steps of 15°. **XLBH EA65R150**  
 The outer bend is cut in the middle to the desired angle and assembled using connecting strips. The angle "E" must be specified when ordering.

**Wheel bend, 90°**

Wheel bend, 90° **XLBH 90A65R150**  
 Effective track length: 0,40 m 1-way (0,80 m 2-way)

**Wheel cover for Wheel bend with no return chain**

**Wheel cover for X65/XL, XT, X85, XH**

Wheel cover for X65/XL, XT, X85, XH **5112246**  
 (Including one pair of Wheel cover 5112244 and 2 tap screw ISO 7049 4,2x6,5-C-H-A2K)

Markers for cutting and adjustment to specific conveyor system.

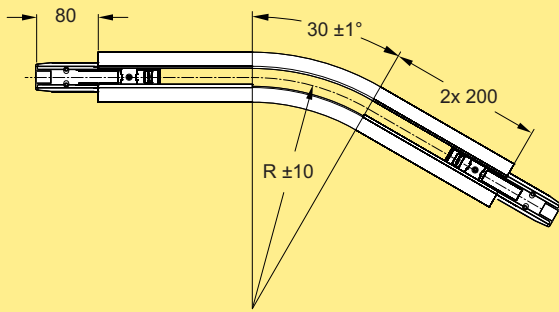
Example: To fit the wheel cover to a X85 system, cut the part marked XH (see figure A). To fit the wheel cover to a XT system, cut the parts marked X85 and XH.

**Wheel bend, 180°**

Wheel bend, 180° **XLBH 180A65R150**  
 Effective track length: 0,65 m 1-way (1,30 m 2-way)

# Plain bends X65

## Plain bend, 30°



### Plain bend, 30°±1°

R=300±10 mm  
R=500±10 mm  
R=700±10 mm  
R=1000±10 mm

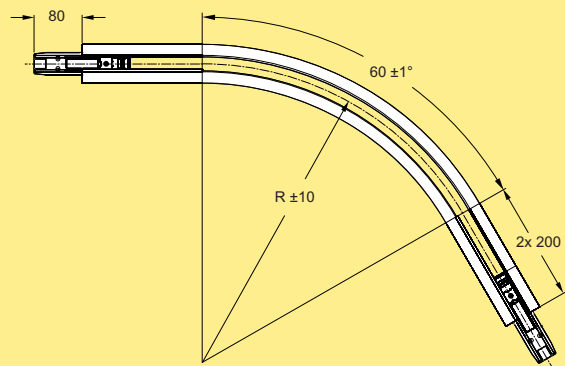
**XLBP 30A65R3**  
**XLBP 30A65R5**  
**XLBP 30A65R7**  
**XLBP 30A65R10**

### Effective track lengths:

R300: 0,60 m 1-way (1,15 m 2-way)  
R500: 0,70 m 1-way (1,35 m 2-way)  
R700: 0,80 m 1-way (1,55 m 2-way)  
R1000: 0,95 m 1-way (1,85 m 2-way)

Including Support rail 5112957

## Plain bend, 60°



### Plain bend, 60°±1°

R=500±10 mm  
R=700±10 mm  
R=1000±10 mm

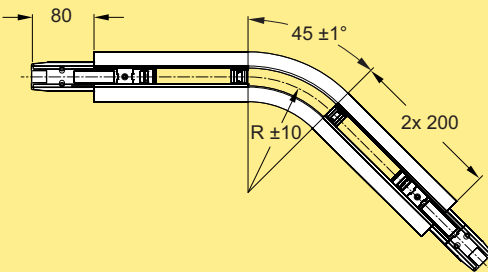
**XLBP 60A65R5**  
**XLBP 60A65R7**  
**XLBP 60A65R10**

### Effective track lengths:

R500: 0,95 m 1-way (1,85 m 2-way)  
R700: 1,15 m 1-way (2,30 m 2-way)  
R1000: 1,45 m 1-way (2,90 m 2-way)

Including Support rail 5112957

## Plain bend, 45°



### Plain bend, 45°±1°

R=300±10 mm  
R=500±10 mm  
R=700±10 mm  
R=1000±10 mm

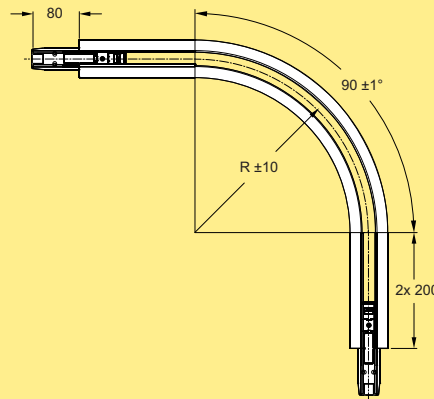
**XLBP 45A65R3**  
**XLBP 45A65R5**  
**XLBP 45A65R7**  
**XLBP 45A65R10**

### Effective track lengths:

R300: 0,65 m 1-way (1,35 m 2-way)  
R500: 0,80 m 1-way (1,60 m 2-way)  
R700: 0,95 m 1-way (1,90 m 2-way)  
R1000: 1,20 m 1-way (2,40 m 2-way)

Including Support rail 5112957

## Plain bend, 90°



### Plain bend, 90°±1°

R=300±10 mm  
R=500±10 mm  
R=700±10 mm  
R=1000±10 mm

**XLBP 90A65R3**  
**XLBP 90A65R5**  
**XLBP 90A65R7**  
**XLBP 90A65R10**

### Effective track lengths:

R300: 0,90 m 1-way (1,75 m 2-way)  
R500: 1,20 m 1-way (2,40 m 2-way)  
R700: 1,50 m 1-way (3,00 m 2-way)  
R1000: 2,00 m 1-way (3,95 m 2-way)

Including Support rail 5112957

## Plain bend, 5°-45°, 46°-90°

### Plain bend, 5°-45°±1°

R=300-1000±10 mm  
R=1001-2000±10 mm

**XLBP 45A65TYP10**  
**XLBP 45A65TYP20**

### Plain bend, 46°-90°±1°

R=300-1000±10 mm  
R=1001-2000±10 mm

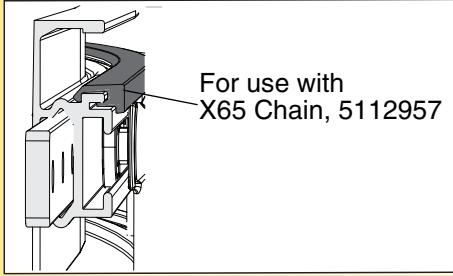
**XLBP 90A65TYP10**  
**XLBP 90A65TYP20**

Including Support rail 5112957

# Support rail for plain bends X65

PO

**Support rail for use with X65 chain**

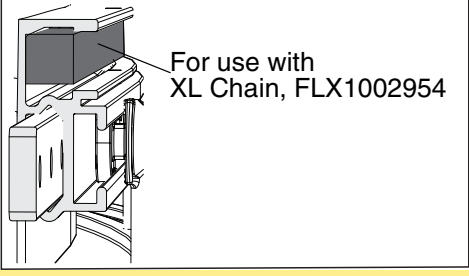


For use with X65 Chain, 5112957

**Support rail** **5112957**  
 Length 3 m  
 PA-PE ( $\mu=0,1-0,25$ ) (Grey)

Support rails always included in the delivery of all X65 plain bend

**Support rail for use with XL chain**



For use with XL Chain, FLX1002954

**Support rail for plain bends** **FLX1002954**  
 Length 2,4 m  
 Polyamide

*Fix with sheet metal screw ISO 7049 4,2x9,5 or similar. See page 521 for installation instructions.*

CC

X45

XS

**X65**

X65P

X85

X85P

XH

XK

XKP

X180

X300

GR

CS

XT

HU

**Mounting tool for support rail 5112957**



**3923686**  
 Mounting tool for support rail

WL

WK

XC

XF

XD

ELV

SC

FST

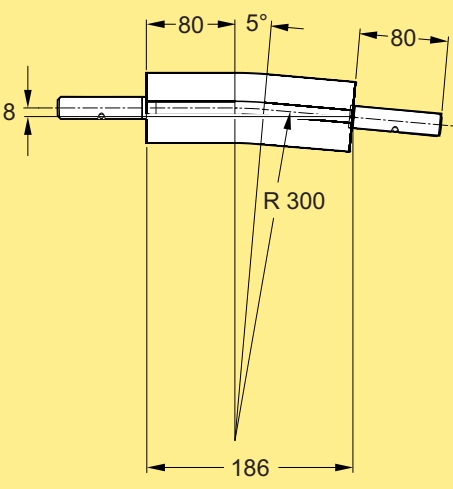
TR

APX

IDX

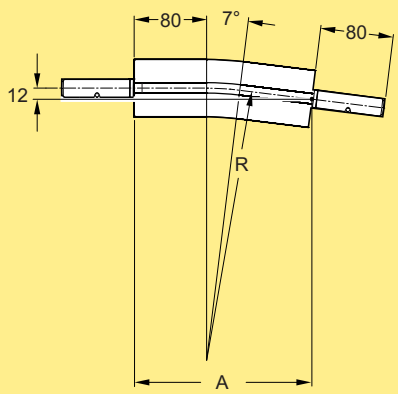
## Vertical bends X65

**Vertical bend, 5°**



**Vertical bend, 5°** **XLBV 5A65R300**  
 Effective track length: 0,20 m 1-way (0,40 m 2-way)

**Vertical bend, 7°**



**Vertical bend, 7°**  
 R= 300, A=196, B=12 **XLBV 7A65R300**  
 R=1000, A=281, B=17 **XLBV 7A65R1000**

*Effective track length:*  
 R300: 0,20 m 1-way (0,40 m 2-way)  
 R1000: 0,30 m 1-way (0,60 m 2-way)

# Vertical bends X65 (continued)

**Vertical bend, 15°**

Vertical bend, 15° **XLBV 15A65R300**  
 Effective track length: 0,25 m 1-way (0,50 m 2-way)

**Vertical bend, 50°**

Vertical bend, 50° **XLBV 50A65R1000**  
 Effective track length: 1,10 m 1-way (2,15 m 2-way)

**Vertical bend, 30°**

Vertical bend, 30°  
 R= 300, A=299, B= 80 **XLBV 30A65R300**  
 R=1000, A=649, B=174 **XLBV 30A65R1000**

Effective track length:  
 R300: 0,35 m 1-way (0,65 m 2-way)  
 R1000: 0,70 m 1-way (1,40 m 2-way)

**Vertical bend, 60°**

Vertical bend, 60° **XLBV 60A65R300**  
 Effective track length: 0,50 m 1-way (0,95 m 2-way)

**Vertical bend, 45°**

Vertical bend, 45°  
 R= 300, A= 349, B=144 **XLBV 45A65R300**  
 R=1000, A= 844, B=349 **XLBV 45A65R1000**

Effective track length:  
 R300: 0,45 m 1-way (0,80 m 2-way)  
 R1000: 0,95 m 1-way (1,90 m 2-way)

**Vertical bend, 90°**

Vertical bend, 90°  
 R= 300, A= 380  
 R=1000, A=1080

**XLBV 90A65R300**  
**XLBV 90A65R1000**

*Effective track length:  
 R300: 0,70 m 1-way (1,30 m 2-way)  
 R1000: 1,75 m 1-way (3,50 m 2-way)*

**Vertical bend, 5°–90°**

Vertical bend, 5°–90°  
 R=300  
 R=1000

**XLBV EA65R300**  
**XLBV EA65R1000**

*The bend is cut in the middle to the desired angle and assembled using connecting strips. The angle "E" must be specified when ordering.*

# Front piece X65

**Front piece**

Front piece  
Length 3 m

**XLVF 3**

**Sliding strip for front piece**

Sliding strip for front piece  
Length 2 m

**XLVG 2**

*The sliding strip must be anchored to the front piece.*

**Front piece upper bend**

Upper bend, 60°

**XLVA 60R352**

*Includes connecting strip with screws*

**Front piece lower bend**

Lower bend, 60°

**XLVB 60R245**

*Includes connecting strip with screws*

**Linkage kit for front piece**

Linkage kit  
W=130, D=33  
W=180, D=58

**XLVK 33**  
**XLVK 58**

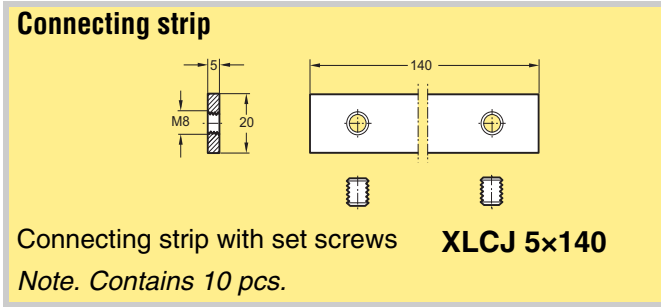
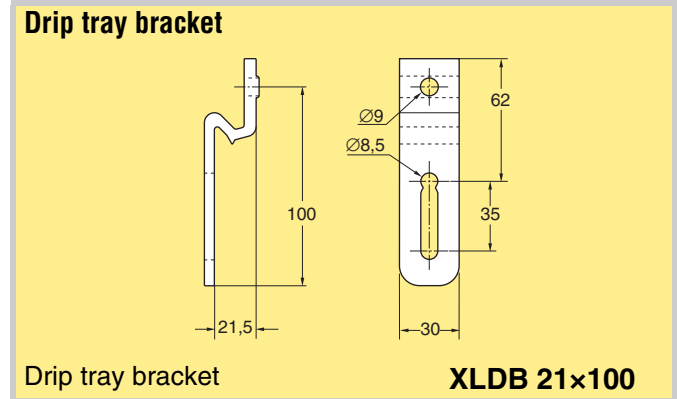
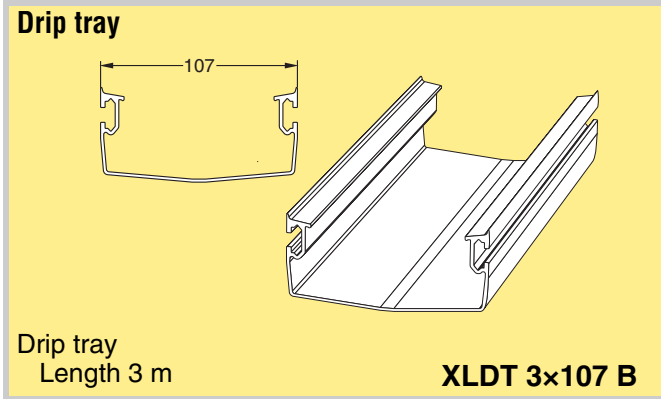
*Kit consists of two support pairs and one locking device.*

**Bend support for front piece**

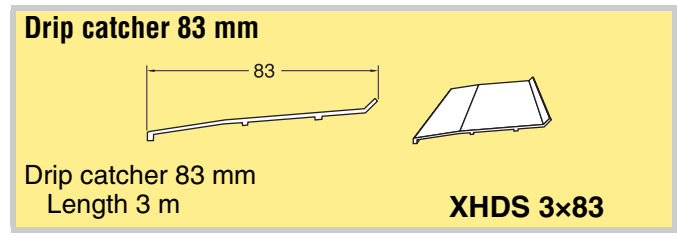
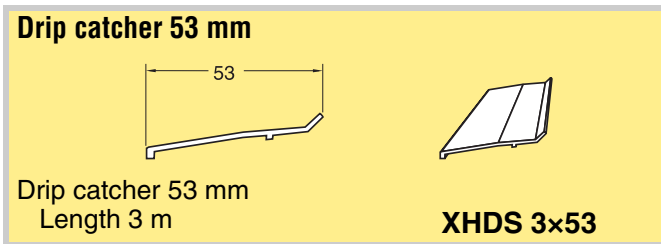
Bend support  
D=33 mm  
D=58 mm

**XLVS 33**  
**XLVS 58**

## Drip trays X65



## Drip catchers X65



## Guide rail system

See "Guide rail components" on page 299

## Conveyor support

See "Conveyor support components" on page 335

PO

CC

X45

XS

X65

X65P

X85

X85P

XH

XK

XKP

X180

X300

GR

CS

XT

HU

WL

WK

XC

XF

XD

ELV

SC

FST

TR

APX

IDX

