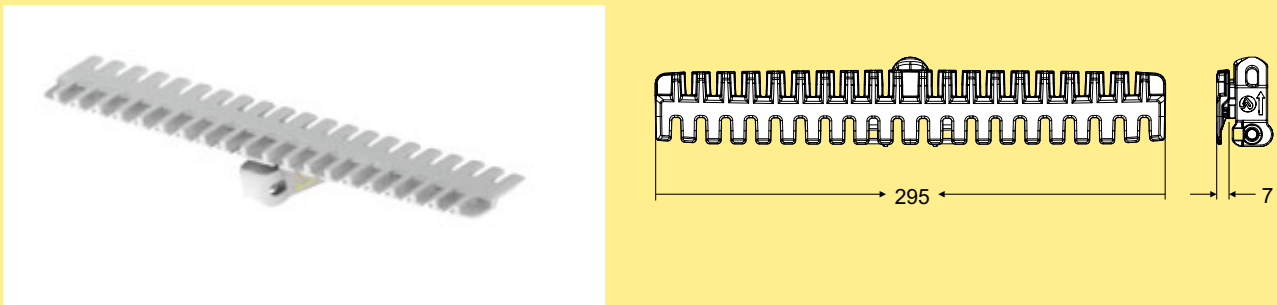


Conveyor system X300- links and chains

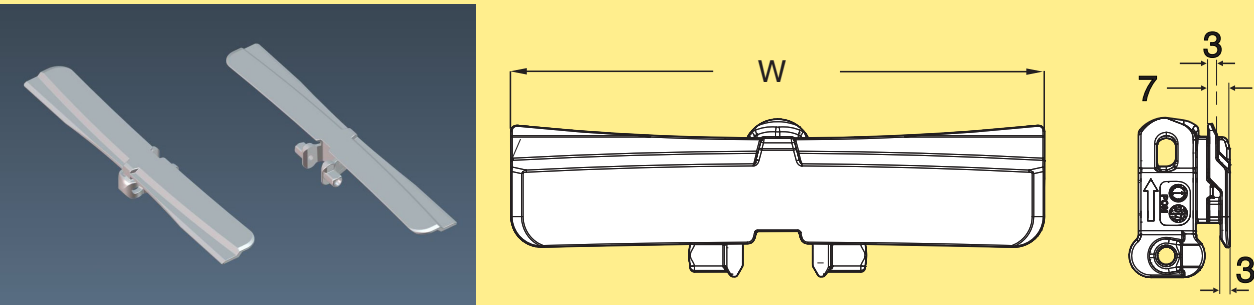
Each link kit contains 10 links, 10 plastic pivots, and 10 stainless steel pins, unless otherwise specified. Material abbreviations: See page III.

Plain chain



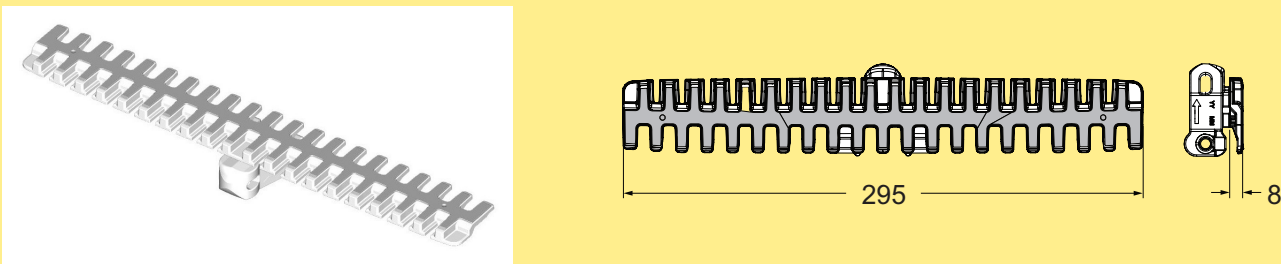
Chain	Link(s)	Link kit(s)	Dimensions	Link weight	Material, link	Material, pivot
XBTP 3A300 K	FLX1002429	FLX1003734	W=295 mm	73 g	POM B	See page III
XBTPX 3A300 K	FLX1002430	FLX1003735	W=295 mm	73 g	POM A	See page III

Plain chain



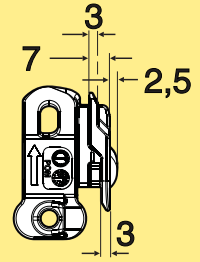
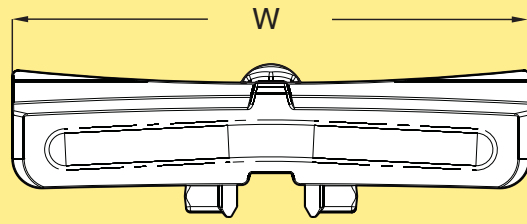
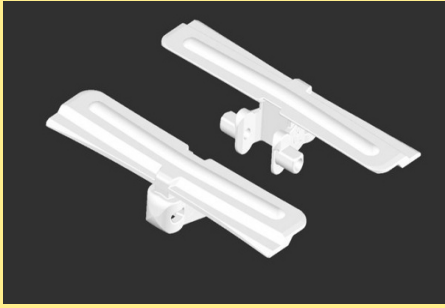
Chain	Link(s)	Link kit(s)	Dimensions	Link weight	Material, link	Material, pivot
XBTP 3A295	XBTL 295	5056652	W=295 mm	73 g	POM B	See page III
XBTP 3A295 E	5122444	n.a.	W=295 mm	73 g	POM B COND	See page III
	5122891	5122445	W=295 mm	73 g	POM A Blue	See page III
XBTPX 3A295	XBTLX 295	5122928	W=295 mm	73 g	POM A	See page III

Friction top chain



Friction insert is TPE.

Chain	Link kit(s)	Dimensions	Link weight	Material, link	Material, pivot
XBTPX 3A300 K FA	FLX1009392		73 g	POM A	PA66



Friction insert is polyether-polyamide.

Chain	Link(s)	Link kit(s)	Dimensions	Link weight	Material, link	Material, pivot
XBTP 3A295 F	XBTL 295 F	5054874	W=295 mm	75 g	POM A	See page III
XBTP 3A295 FP			W=295 mm	75 g	POM A	See page III

ELV	ELV
WL 678X	WL 678X
WL 526X	WL 526X
WL 374X	WL 374X
WL 273X	WL 273X
WL 222X	WL 222X
WL	WL
WK	WK
XTC	XTC
XT	XT
X300X	X300X
X180X	X180X
X180	X180
X180X	X180X
XK	XK
XH	XH
X85X	X85X
X85	X85
X70X	X70X
XM	XM
X65	X65
XL	XL
XS	XS
X45	X45
X45H	X45H
Introduction	Introduction

