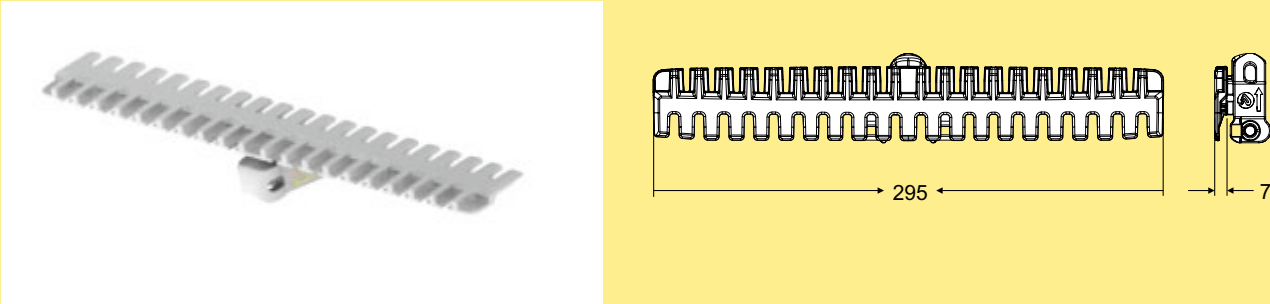


Conveyor system X300X - links and chains

Each link kit contains 10 links, 10 plastic pivots, and 10 stainless steel pins, unless otherwise specified.

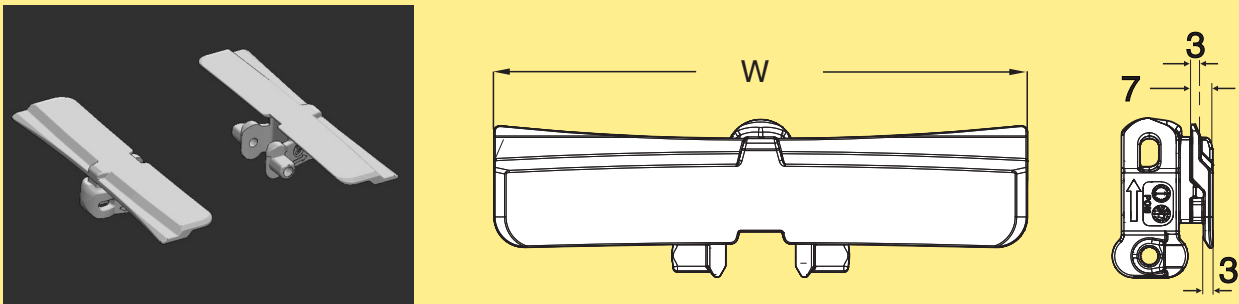
Material abbreviations: See page III.

Plain chain



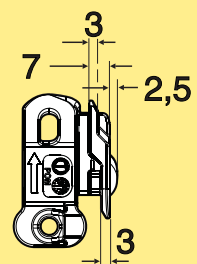
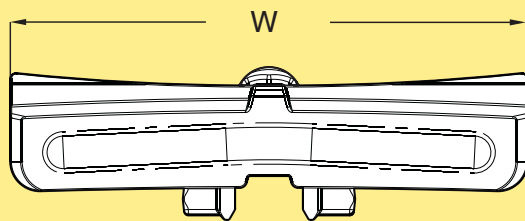
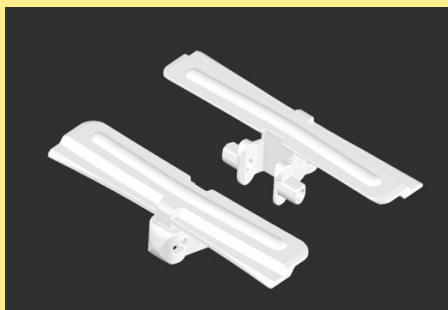
Chain	Link(s)	Link kit(s)	Dimensions	Link weight	Material, link	Material, pivot
XBTPX 3A300 K	FLX1002430	FLX1003735	W=295 mm	73 g	POM A	See page III
XBTP 3A300 K	FLX1002429	FLX1003734	W=295 mm	73 g	POM B	See page III

Plain chain



Chain	Link(s)	Link kit(s)	Dimensions	Link weight	Material, link	Material, pivot
XBTP 3A295	XBTL 295	5056652	W=295 mm	73 g	POM A	See page III
XBTP 3A295 E	5122444	n.a.	W=295 mm	73 g	POM B COND	See page III
5122891	5122445	n.a.	W=295 mm	73 g	POM A Blue	See page III
XBTPX 3A295	XBTLX 295	5122928	W=295 mm	73 g	POM A	See page III

Friction top chain



Friction insert is polyether-polyamide.

Chain	Link(s)	Link kit(s)	Dimensions	Link weight	Material, link	Material, pivot
XBTP 3A295 F	XBTL 295 F	5054874	W=295 mm	75 g	POM A	See page III
XBTP 3A295 FP			W_295 mm	75 g	POM A	See page III