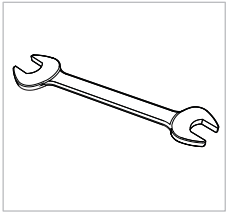


PRE-REQUISITES

Recommended tools



SAFETY



WARNING
The system must not be operated without safety equipment properly mounted.



WARNING
At installation, maintenance and service, make sure the motor is shut off.

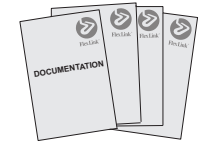
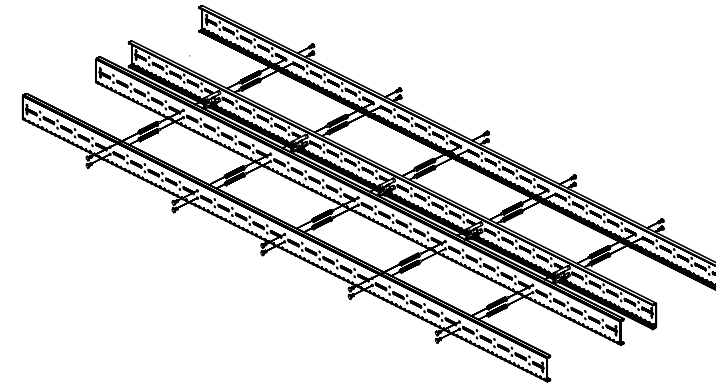


WARNING
Pinch Point

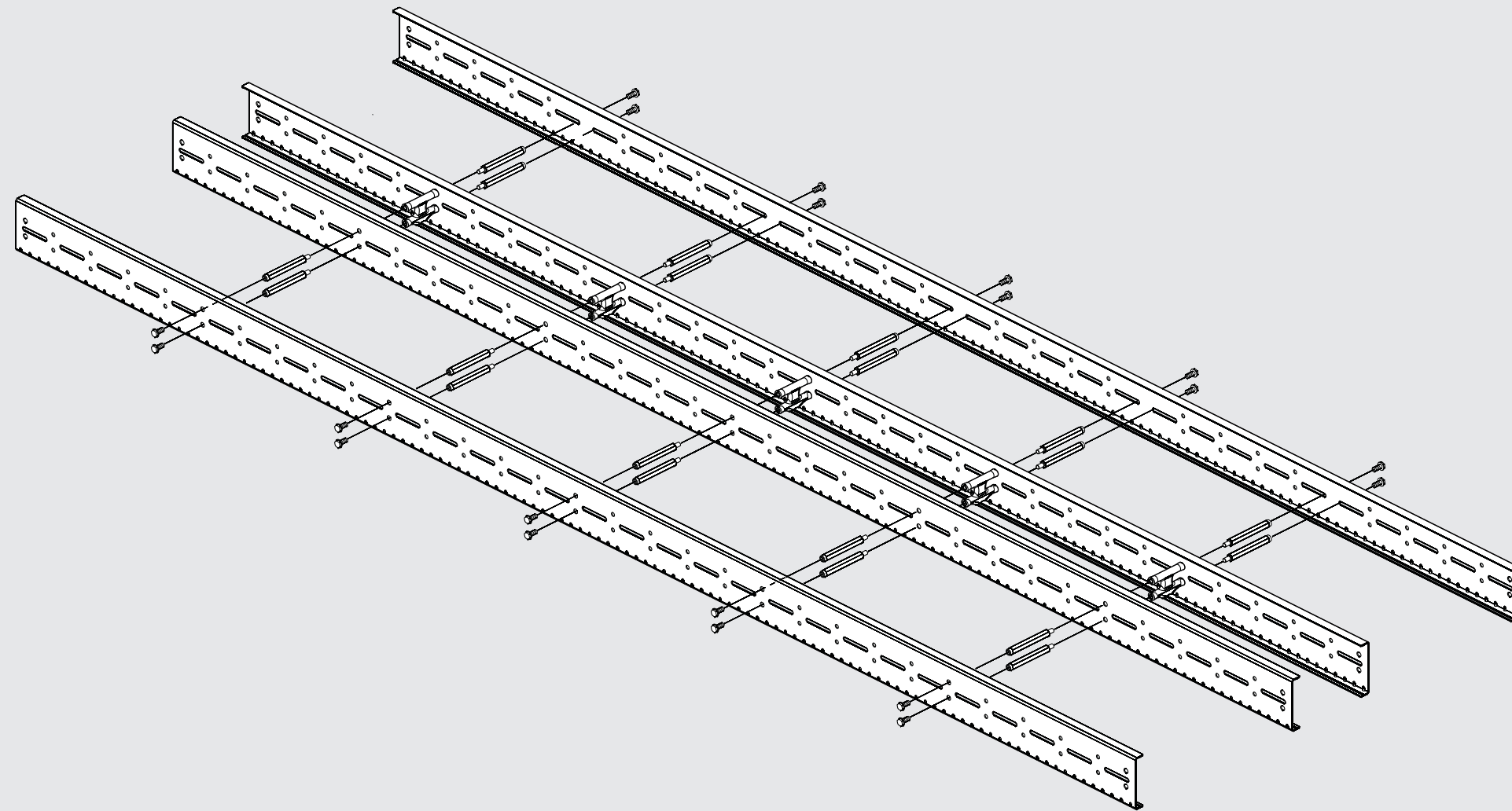


CAUTION
Due to heavy weight - 2 person lift, or mechanical lift equipment.

PRODUCTS



1. Begin by unscrewing the screws on one side of the center beam (XBCBX 3A85).
2. Install the spacers 10 pcs (5114553) instead of screws.
3. Place half the beam (5114295) 1 pcs on the spacers, mount the screws 10 pcs.
4. Repeat points 1-3 on the other side



Basic value, Torque for dimension			
M5	M6	M8	M10
4,1 Nm / 36 lb. in.	7 Nm / 62 lb. in.	17 Nm / 150 lb.in.	33 Nm / 292 lb.in.

ASSEMBLY INSTRUCTION

Conveyor beam
XBCBX 3A300

