



FlexLink®

Control box

5057891-02



Electrical supply

Main

Voltage	460-480 V (AC)
Phases	3
Frequency	60 Hz
Current	4 A
Short-circuit capacity	200kA

Controls

Internal – no additional supply.

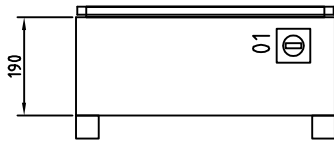
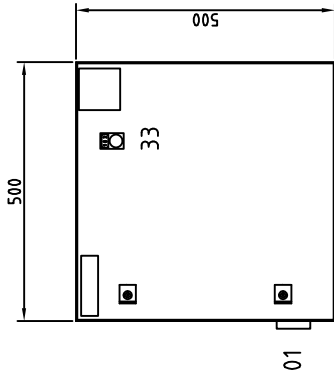
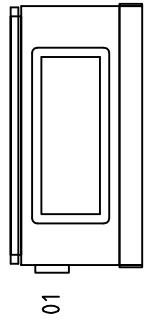
Drawings

1 2 3 4 5 6 7 8

- 01. Q30102
- 10. F31002
- 11. F31003
- 12. F31004
- 13. F31005
- 14. F31006
- 15. F31007
- 16. X110
- 17. X120
- 18. X31006

- 20. T31103
- 21. T31105
- 22. Q31103
- 23. Q31105
- 24. K31104
- 25. K31106
- 26. X31103
- 27. X31104
- 28. F31104
- 29. F31106

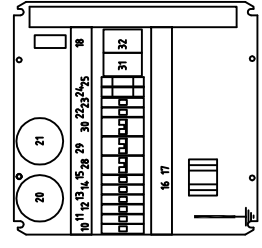
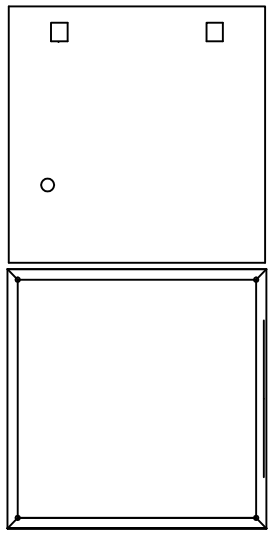
- 30. F31203
- 31. K31203
- 32. K31204
- 33. S31203



Nr.	Date	Sign	Change	Department FlexLink Customer -		Drawing No.	
						5057891	
				Drawn FJN	Project No. 7220283	Name Layout, Exterior	Sheet 101
				Appr.	Date 05-07-15		Next 102

1 2 3 4 5 6 7 8

- 01. Q30102
- 10. F31002
- 11. F31003
- 12. F31004
- 13. F31005
- 14. F31006
- 15. F31007
- 16. X110
- 17. X120
- 18. X31006
- 20. T31103
- 21. T31105
- 22. Q31103
- 23. Q31105
- 24. K31104
- 25. K31106
- 26. X31103
- 27. X31104
- 28. F31104
- 29. F31106
- 30. F31203
- 31. K31203
- 32. K31204
- 33. S31203



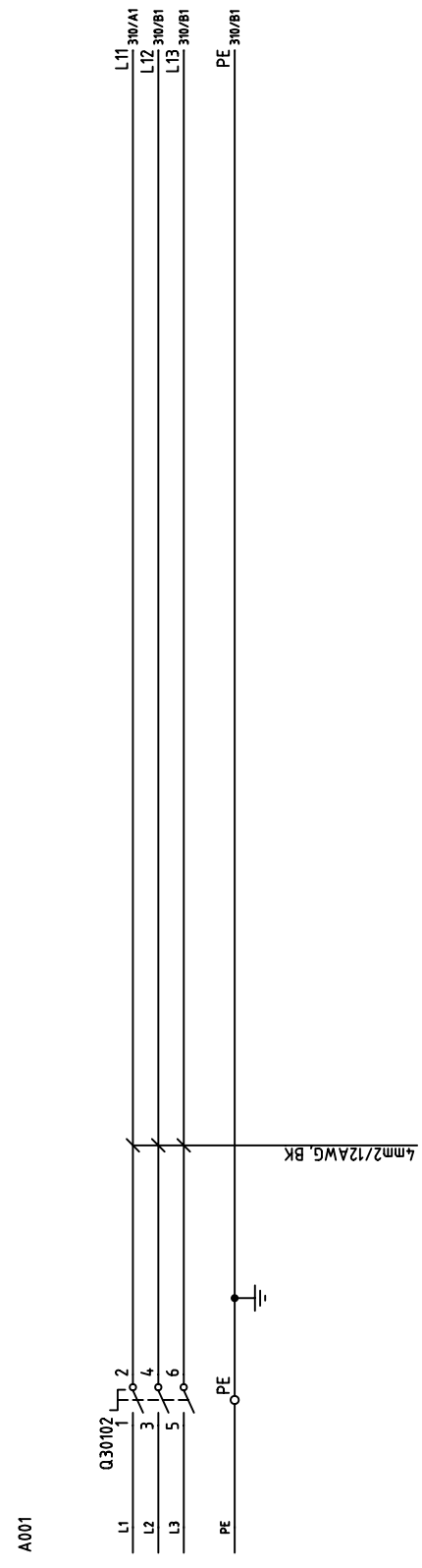
Nr.	Date	Sign	Change



FlexLink®


Department FlexLink	
Customer -	
Drawn FJN	Project No. 7220283
Appr.	Date 05-07-15

Drawing No. 5057891	
Sheet 102	Next 111



Where nothing else is said: 0.75mm²/20AWG

Identification of wiring	
Earth conductors	GREEN-AND-YELLOW
Neutral conductors	BLUE
AC or DC power conductors	BLACK
AC control circuits	RED
DC control circuits	BLUE
Interlocking control circuits supplied from external power	ORANGE

Nr.		Date		Sign		Change	
				Department FlexLink		Drawing No. 5057891	
Customer -				Project No. 7220283		Name Incoming supply	
Drawn FJN				Date 05-07-15		Sheet 301	
Appr.				Date		Next 310	

1 2 3 4 5 6 7 8

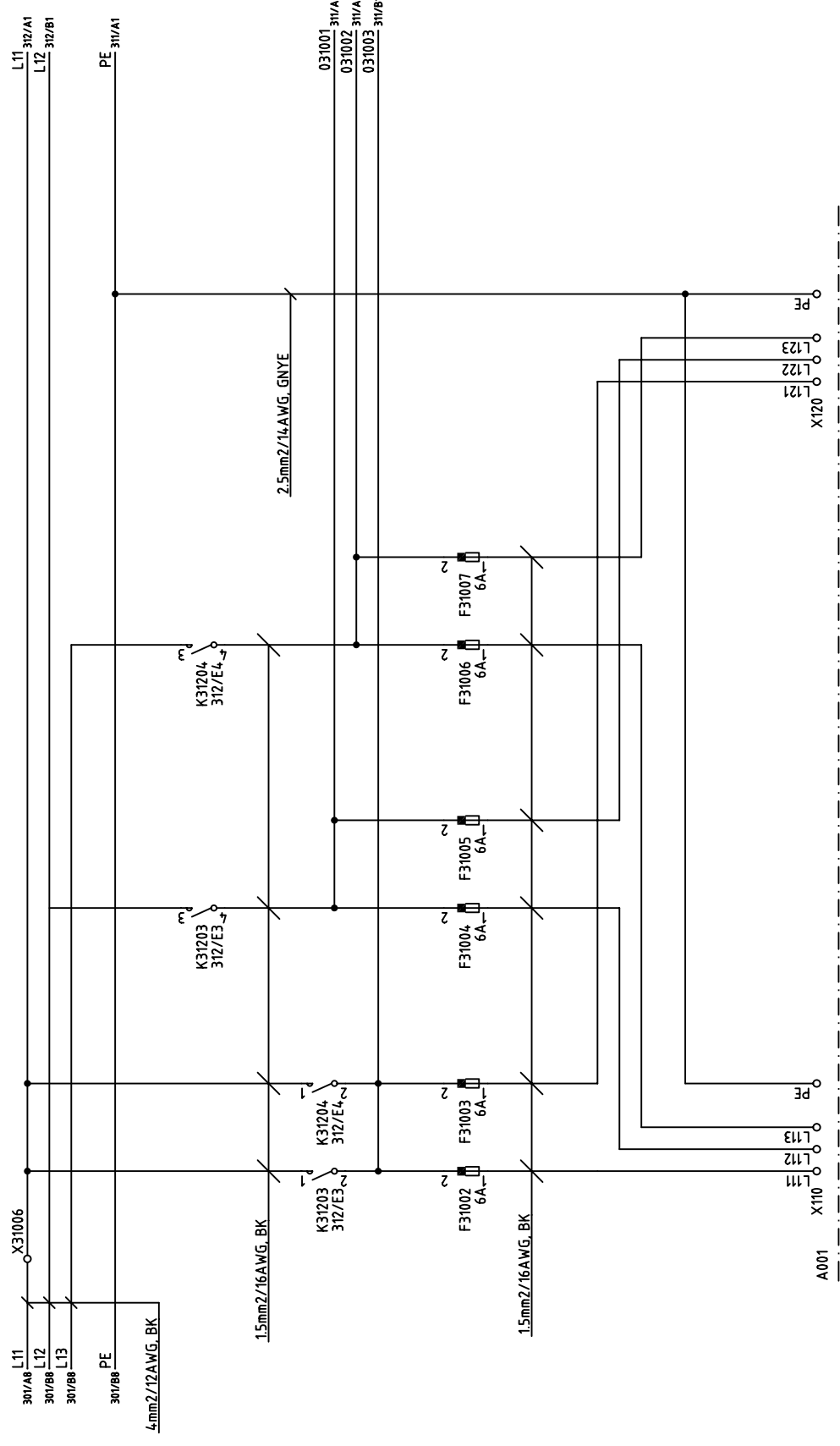
A

B

C

D

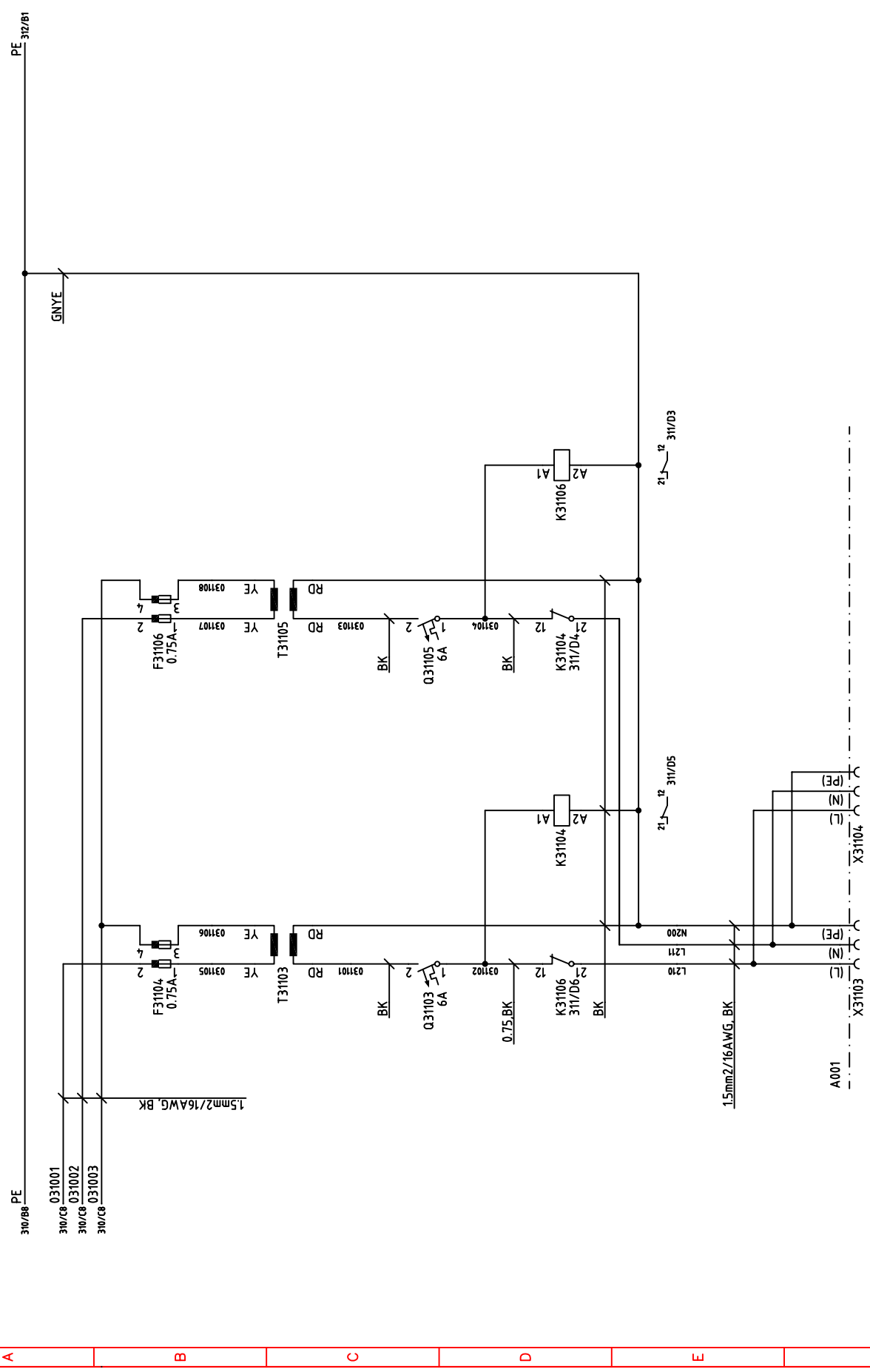
E



No.	Date	Sign	Change

Department FlexLink	
Customer	-
Drawn FJN	Project No. 7220283
Appr.	Date 05-07-15
Name Zone supply	

Drawing No. 5057891	
Sheet 310	Next 311



Denna ritning är FlexLink egendom. Skyddad enligt gällande lag.
 This drawing is the property of FlexLink. Protected in accordance with prevailing law.

Nr.	Date	Sign	Change

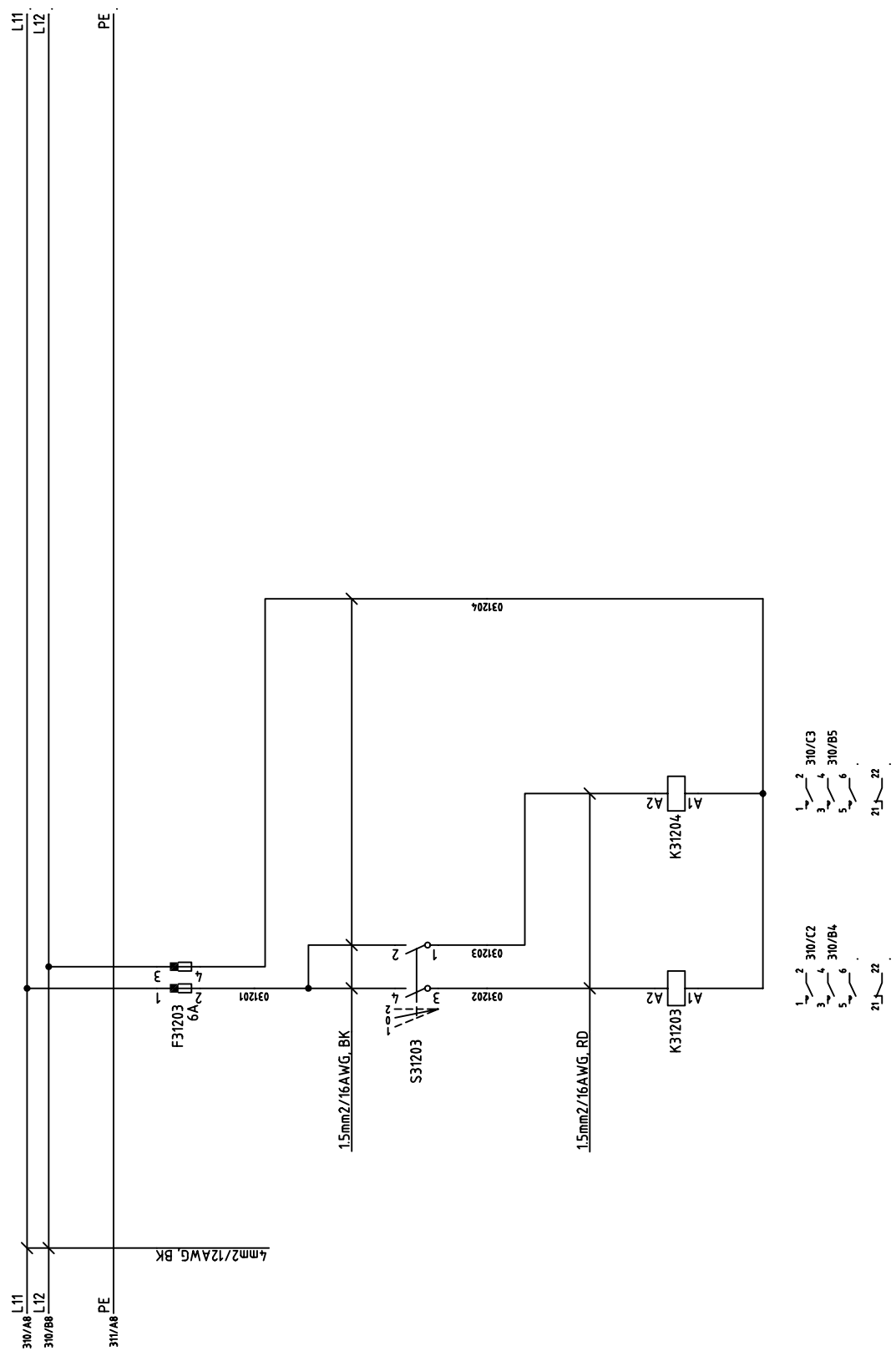


Department	FlexLink
Customer	-
Drawn	FJN
Project No.	7220283
Date	05-07-15
Name	Branch supply
Appr.	-

Drawing No.	5057891
Sheet	311
Next	312

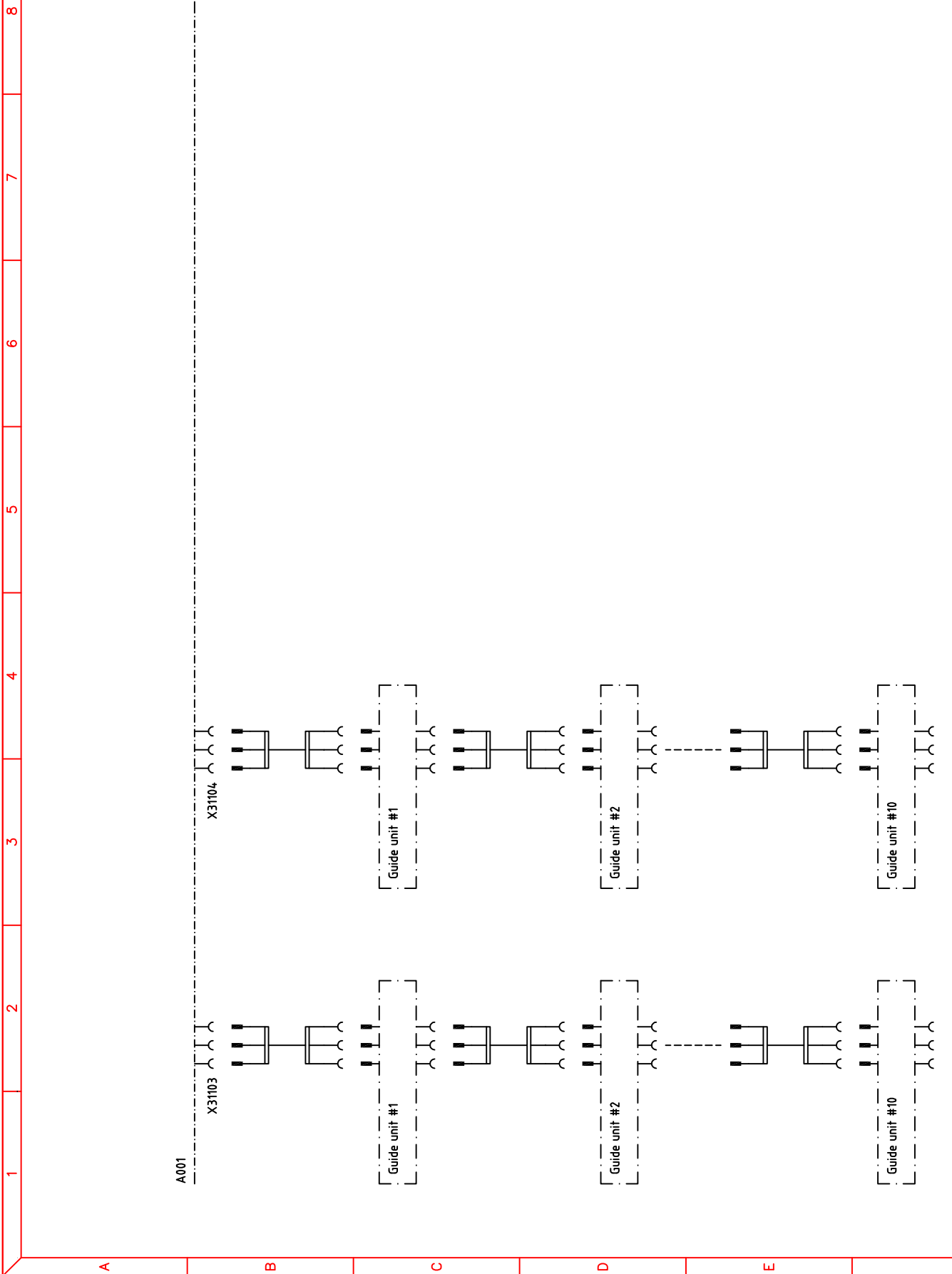
1 2 3 4 5 6 7 8

A B C D E F



Denna ritning är FlexLink egendom. Skyddad enligt gällande lag.
 This drawing is the property of FlexLink. Protected in accordance with prevailing law.

Nr:	Date	Sign	Change			Department FlexLink		Drawing No. 5057891	
						Customer -		Project No. 7220283	Name Contactor control
				Drawn FJN	Appr. -	Date 05-07-15		Sheet 312	Next 510



No.	Date	Sign	Change



Department		FlexLink	
Customer		-	
Drawn	FJN	Project No.	7220283
Appr.		Date	04-12-09

Drawing No.		5057891	
Name		Branch supply	
Sheet	511	Next	-