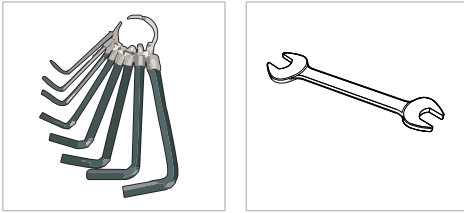


PRE-REQUISITES

Recommended tools



SAFETY



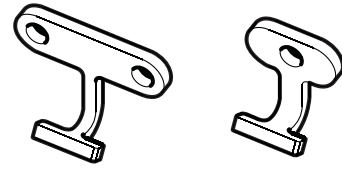
WARNING
The system must not be operated without safety equipment properly mounted.



WARNING
At installation, maintenance and service, make sure the motor is shut off.

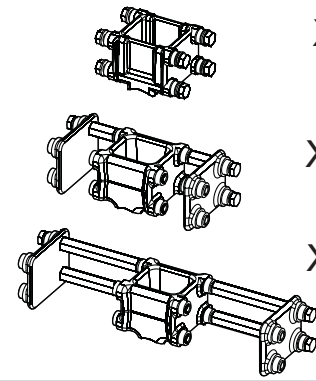
PRODUCT

5114181/5113998



PRODUCT

XBCJX



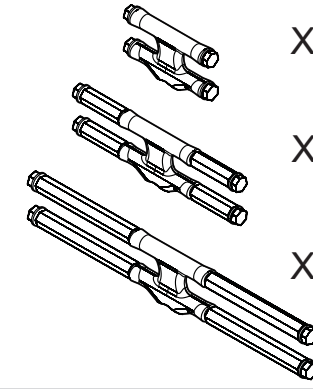
X85X

X180X

X300X

PRODUCT

XBCEX



X85X

X180X

X300X

PRODUCT

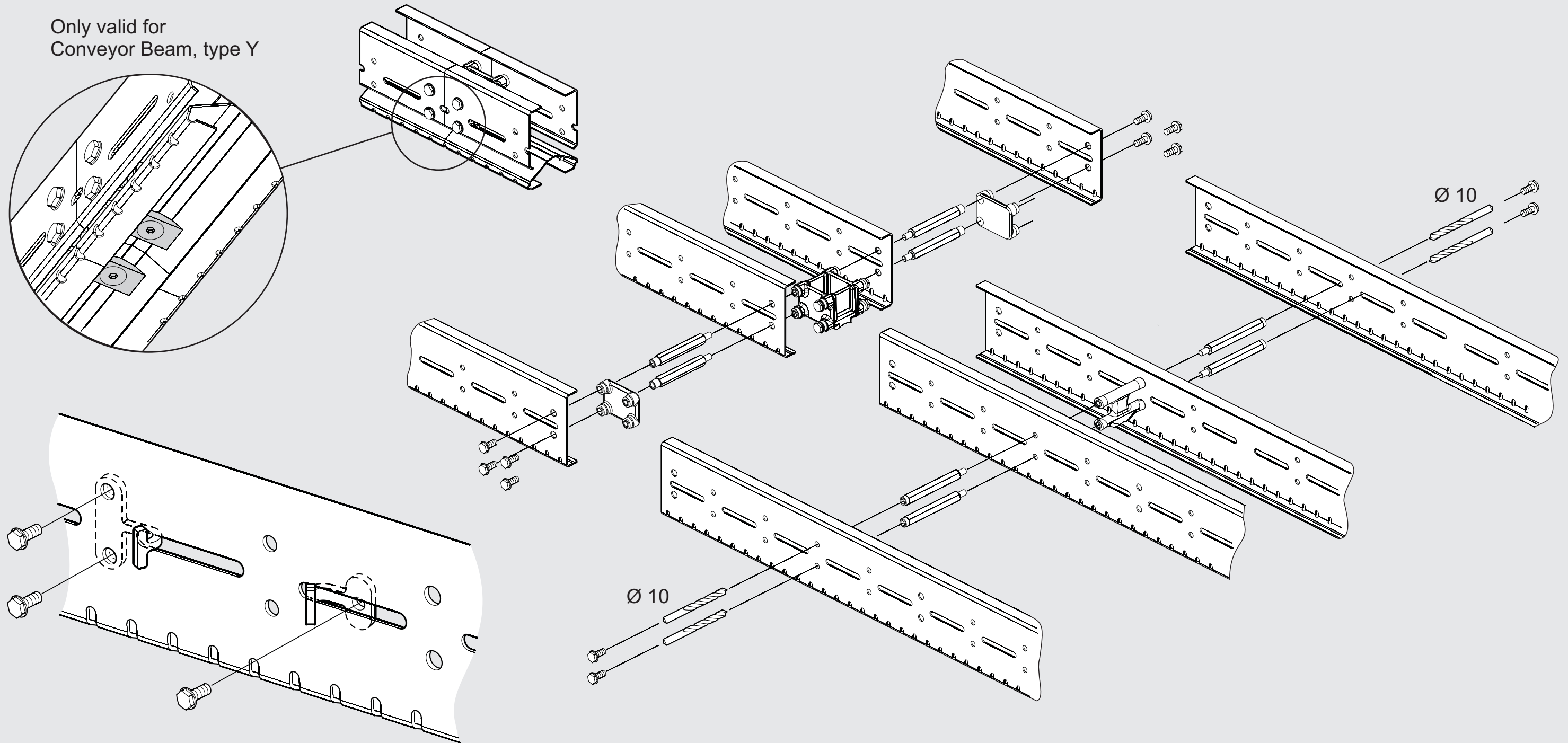
5114562



FlexLink®

5115330

Only valid for
Conveyor Beam, type Y



ASSEMBLY INSTRUCTION

Nut, stainless steel, 5113998/5114181
Connecting bracket kit, XBCJX A85/A180/A300
Beam spacer kit, XBCEX A85/A180/A300
Screw kit, 5114562

